

CLEAN AIR CONTROL

- Removes particulates and moisture
- Compact design, large capacity
- Available in regulated and non-regulated models

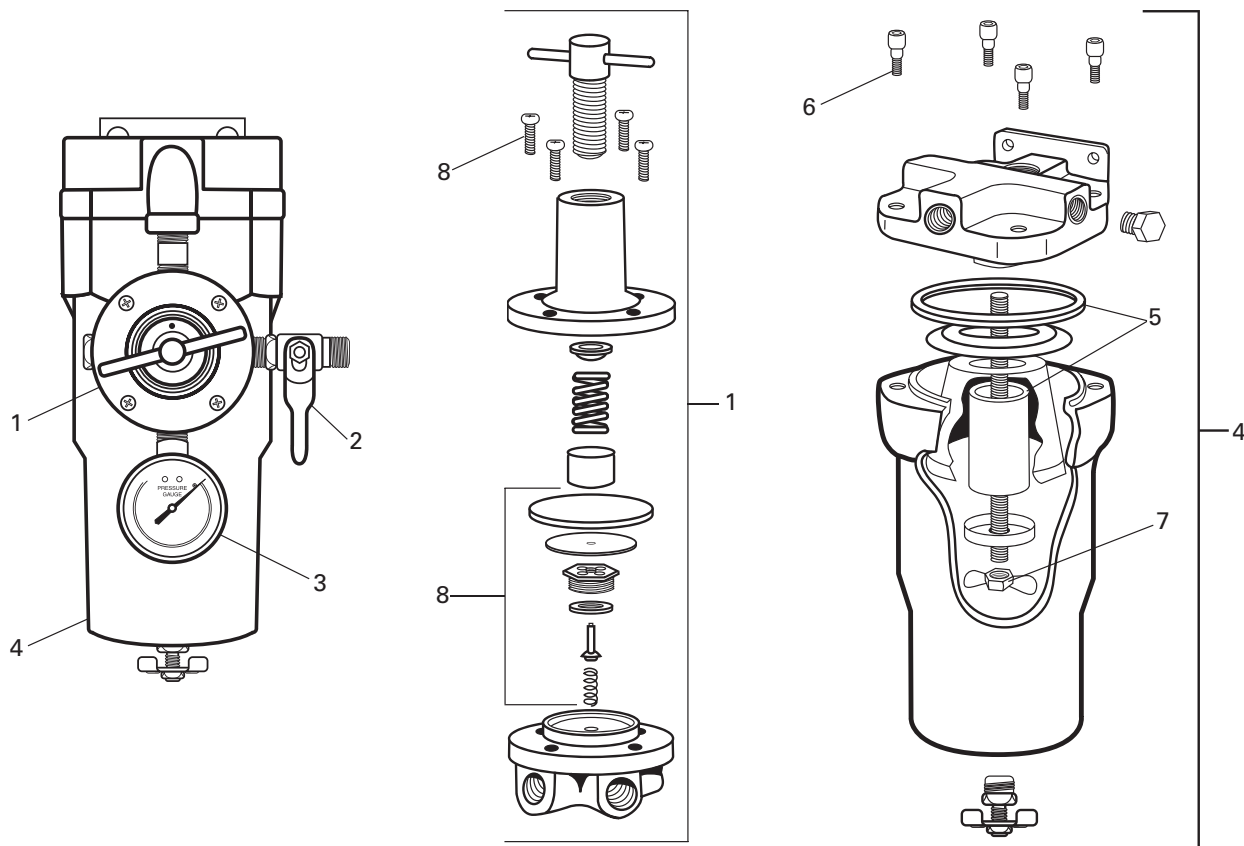
INCLUDES:

- 5 micron particle filter
- Mounting bracket
- Regulator and gauge included on Model # HAR-680

Model #HAF-580 - 803642

Model #HAR-680 - 803643





PARTS LIST

Ref. No.	Order No.	Model No.	Description	Ind. Parts Req.
1	130100	HAR-520	Regulator	1
2	240160	VA-594	Shut-Off Valve	1
3	192314	GA-375	Pressure Gauge	1
4	803642	HAF-580	80 CFM Filter Unit	1
5	803641	HAF-47	80 CFM Filter Element	1
6	*	*	Socket Head Screw, 1/4-20 x 3/4	4
7	*	*	Wingnut, 1/4-20	1
8	802112	KK-5088	Regulator Kit	1

SPECIFICATIONS

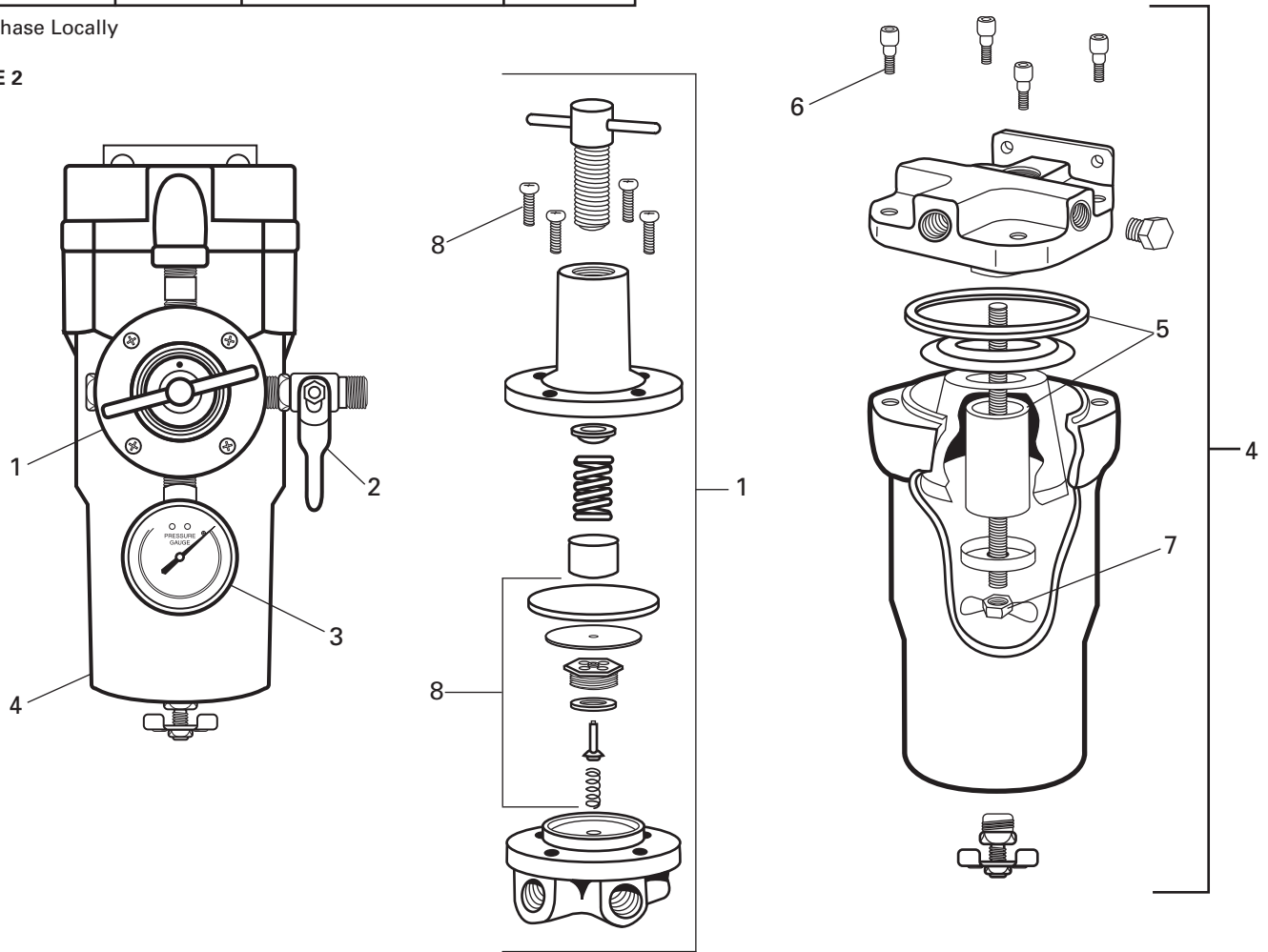
Air Inlet:	1/2 NPT (female)
Air Outlet HAF-580:	3/8 NPT (female)
Air Outlet HAR-680:	1/4 NPSM (male)
Air Capacity:	80 CFM filter
	50 CFM regulator
Max. Pressure:	150 PSI
Max. Temp.:	150° F
Filter Size:	5 micron

PARTS LIST

Ref. No.	Order No.	Part No.	Description	Individual Parts Req.
1	130100	HAR-520	Regulator	1
2	240160	VA-594	Shut-Off Valve	1
3	192314	GA-375	Pressure Gauge	1
4	803642	HAF-580	80 CFM Filter Unit	1
5	803641	HAF-47	80 CFM Filter Element	1
6	*	*	Socket Head Screw, 1/4-20 x 3/4	4
7	*	*	Wingnut, 1/4-20	1
8	802112	KK-5088	Regulator Kit	1

* Purchase Locally

FIGURE 2



WARRANTY

This product is covered by DeVilbiss' 1 Year Limited Warranty.

DeVilbiss Automotive Refinishing

DeVilbiss has authorized distributors throughout the world. For equipment, parts and service, check the Yellow Pages under "Automotive Body Shop Equipment and Supplies."





CLEAN TECHNICIAN

Reusable Coverall

Keeps both painter and spray booth cleaner

- Lightweight durable nylon front
- Breathable cool cotton back
- Washable/Reusable



Order No.	
803596 (M)	6/cs
803597 (L)	6/cs
803598 (XL)	6/cs
803599 (3XL)	6/cs

Disposable Coverall

Reduces Contamination From Street Clothing

- Disposable
- Lightweight and Comfortable
- Meets OSHA requirement



Order No.	
803671 (M)	48/cs
803672 (L)	48/cs
803673 (XL)	48/cs
803674 (3XL)	48/cs

Champion™ Disposable Cartridge Respirator

OV/N95 Dual Cartridge Respirator

- Soft, comfortable face piece
- Low-profile cartridges enhance visibility
- Packaged in resealable storage bag



Approved, when used as specified.



Order No.	Model No.	
803611 (M)	DCR-502	1/bag-12/cs
803612 (L)	DCR-503	1/bag-12/cs

Reusable Lab Coat

Contributes to clean prep practices

- Lightweight durable nylon
- 3-pocket design
- Washable/Reusable



Order No.	
803664 (M)	6/cs
803665 (L)	6/cs
803666 (XL)	6/cs
803667 (3XL)	6/cs



Champion™ Disposable Cartridge Respirator

Disposable Coverall

Reusable Lab Coat

Paint Booth & Prep Stations

CamAir® CT Plus™ 5-Stage Filter System

Worry free air filtration for top-quality paint jobs

- First stage filter removes oil, water and dirt down to 40 microns
- Second stage coalescer removes oil vapors and dirt particles down to .01 microns
- Third stage filter media repeats dirt and oil filtering
- Fourth stage dessicant removes water vapor down to dewpoint of -40° F
- Fifth stage exits final filter media
- 30 CFM capacity



Order No.
130522

Patented quick-change
dessicant bag design

First Step at Compressor

Automatic Drain with Y-Strainer Valve

Electric timer automatically drains water from compressed air systems

- Mounts directly on compressor tank drain and air piping drain points
- Eliminates water build-up that can decrease shop air capacity
- Removable filter for easy cleaning



Order No.
130512

Air Tools

FinishLine® Clean Air Control

Clean air filtration for air tool reliability and longevity

- 5 micron filter removes particulates and moisture
- Large capacity in a compact design
- Regulator and gauge included
- 80 CFM and 120 CFM models



Order No.	Model No.	Description
130099	HAR-602	FinishLine® Air Control Unit (120CFM w/50CFM Regulator)
803643	HAR-680	FinishLine® Clean Air Control (80CFM w/50CFM Regulator)

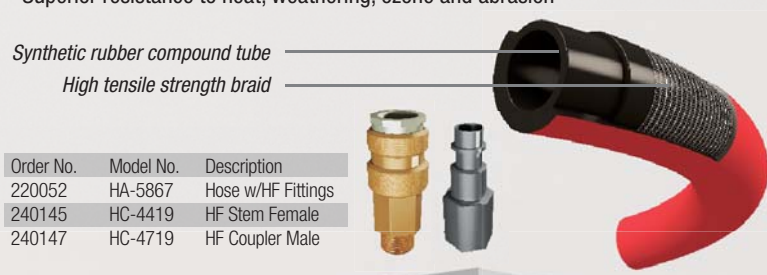
Booth & Prep Stations

3/8" x 35' Air Hose with High Flow Fittings

Durable construction for efficient air delivery

- Synthetic rubber compound tube
- High tensile strength braid
- Superior resistance to heat, weathering, ozone and abrasion

Synthetic rubber compound tube
High tensile strength braid



Order No.	Model No.	Description
220052	HA-5867	Hose w/HF Fittings
240145	HC-4419	HF Stem Female
240147	HC-4719	HF Coupler Male

CamAir® CT Plus™ 5-Stage Filter System

FinishLine® Clean Air Control

3/8" x 35' Air Hose with High Flow Fittings

Automatic Drain with Y-Strainer Valve



CLEAN BOOTH SOLUTIONS

A clean spray booth is the first step to a clean paint job.

Dirt Control Floor Coat

Traps airborne particulates caused by increased air movement necessary for drying waterborne paints

- A must for waterborne shops!
- Shops observe a reduction of airborne particles in spray booth of up to 50%
- Neutralizes particles electrical charge so they stick to the floor, not the vehicle

Order No.	Description
803491	Dirt Control Floor Coat
803492	2-Gallon Pump Sprayer



Dirt Control Wall Coat

Maintains bright spray booth walls for better color-match visibility

- Bright white, water based formula
- Lasts 500 bake cycles
- Easily peels off and reapplies without surface prep

Order No.	4 gals/cs
803668	



DeVilbiss® Clear Glass Coat

Peelable glass surface coating

Order No.	6 quarts/cs
803669	



1. Bumper Cover Surfaces

Bumper Prep Pad

Clean, degrease and abrade in one easy step

- Removes mold release residues found in OEM bumper covers
- Removes both water-based and oil-based contaminants
- Prepares surface for paint adhesion
- Individually bar coded for job costing



Order No.	1/pkg-12/cs
803557	

4. Pre-Paint - Decontamination

DeWipe-Outs™

Pre-saturated wipes for contaminant-free primed surfaces

- OEM process for final decontamination
- Eliminates static that attracts dirt
- Ideal for paintable surfaces, plastic parts and bumper covers



Order No.	Description	
803045	85% IPA/15% DI Water – Normal Climates Formula	50 wipes/pouch
803046	50% IPA/50% DI Water – Dry Climates Formula	50 wipes/pouch
803418	Acetone Blend – Low VOC Formula	50 wipes/pouch

DeWipe-Outs™ Refill Case

Sealed container keeps DeWipe-Outs saturated and ready to use

Order No.	803048
-----------	--------



CLEAN SURFACE PREP

Best practices for contaminant-free refinishing

2. Pre-Paint Surfaces - Cleaning

Paint Prep Wipe

Pre-clean prep wipe

- ▄ Strong, absorbent, virtually lint-free non-woven wipe
- ▄ For use with water-based and solvent-based surface pre-cleaners
- ▄ Production oriented ¼ fold format



Order No.	Model No.	
803657	DC-101	300 ct dispenser box

3. Pre-Paint Surfaces - Tacking

Tack Wipe

Removes lint and fine particulates from refinish surfaces

- ▄ Low tack and moderate tack formulas
- ▄ Solvent and waterborne compatible
- ▄ Individually bar coded for job costing



Order No.	Model No.	Description	
803816	TCK-101-K12	Moderate Tack: Cotton	Individually bagged 12/bx
803817	TCK-121-K12	Low Tack: Poly	Individually bagged 12/bx

5. Intercoat Surfaces

Anti-Static Wipe

Treated wipe eliminates static between refinish coats

- ▄ Removes contaminants between coats of sealer, basecoat and before clear
- ▄ Helps reduce orange peel and improve metallic orientation
- ▄ Non-marring, lint-free and reusable



Order No.	
803553	Individually bagged 12/cs

Defect Repair

Shim-Mask®

Stainless steel masking stencil minimizes repair area of runs, sags and nibs

- ▄ Helps prevent sanding and shaving rub-through
- ▄ Saves time and improves repair quality
- ▄ Minimizes repair area to prevent over processing



Order No.	
803654	3/pkg