

**DeVilbiss**  
**CLEAN™**

CLEAN AIR



CLEAN TECHNICIAN



CLEAN FINISHES



# CONTAMINANT FREE REFINISHING





# CLEAN TECHNICIAN

## Reusable Coverall

Keeps both painter and spray booth cleaner

- Lightweight durable nylon front
- Breathable cool cotton back
- Washable/Reusable



Order No.	
803596 (M)	6/cs
803597 (L)	6/cs
803598 (XL)	6/cs
803599 (3XL)	6/cs

## Disposable Coverall

Reduces Contamination From Street Clothing

- Disposable
- Lightweight and Comfortable
- Meets OSHA requirement



Order No.	
803671 (M)	48/cs
803672 (L)	48/cs
803673 (XL)	48/cs
803674 (3XL)	48/cs

## Champion™ Disposable Cartridge Respirator

OV/N95 Dual Cartridge Respirator

- Soft, comfortable face piece
- Low-profile cartridges enhance visibility
- Packaged in resealable storage bag



Approved, when used as specified.



Order No.	Model No.	
803611 (M)	DCR-502	1/bag-12/cs
803612 (L)	DCR-503	1/bag-12/cs

## Reusable Lab Coat

Contributes to clean prep practices

- Lightweight durable nylon
- 3-pocket design
- Washable/Reusable



Order No.	
803664 (M)	6/cs
803665 (L)	6/cs
803666 (XL)	6/cs
803667 (3XL)	6/cs



Champion™ Disposable Cartridge Respirator

Disposable Coverall

Reusable Lab Coat

## Paint Booth & Prep Stations

### CamAir® CT Plus™ 5-Stage Filter System

Worry free air filtration for top-quality paint jobs

- First stage filter removes oil, water and dirt down to 40 microns
- Second stage coalescer removes oil vapors and dirt particles down to .01 microns
- Third stage filter media repeats dirt and oil filtering
- Fourth stage dessicant removes water vapor down to dewpoint of -40° F
- Fifth stage exits final filter media
- 30 CFM capacity



Order No.  
130522

Patented quick-change  
dessicant bag design

## First Step at Compressor

### Automatic Drain with Y-Strainer Valve

Electric timer automatically drains water from compressed air systems

- Mounts directly on compressor tank drain and air piping drain points
- Eliminates water build-up that can decrease shop air capacity
- Removable filter for easy cleaning



Order No.  
130512

## Air Tools

### FinishLine® Clean Air Control

Clean air filtration for air tool reliability and longevity

- 5 micron filter removes particulates and moisture
- Large capacity in a compact design
- Regulator and gauge included
- 80 CFM and 120 CFM models



Order No.	Model No.	Description
130099	HAR-602	FinishLine® Air Control Unit (120CFM w/50CFM Regulator)
803643	HAR-680	FinishLine® Clean Air Control (80CFM w/50CFM Regulator)

## Booth & Prep Stations

### 3/8" x 35' Air Hose with High Flow Fittings

Durable construction for efficient air delivery

- Synthetic rubber compound tube
- High tensile strength braid
- Superior resistance to heat, weathering, ozone and abrasion

Synthetic rubber compound tube  
High tensile strength braid

Order No.	Model No.	Description
220052	HA-5867	Hose w/HF Fittings
240145	HC-4419	HF Stem Female
240147	HC-4719	HF Coupler Male



CamAir® CT Plus™ 5-Stage Filter System

FinishLine® Clean Air Control

3/8" x 35' Air Hose with High Flow Fittings

Automatic Drain with Y-Strainer Valve





## CLEAN BOOTH SOLUTIONS

A clean spray booth is the first step to a clean paint job.

### Dirt Control Floor Coat

Traps airborne particulates caused by increased air movement necessary for drying waterborne paints

- A must for waterborne shops!
- Shops observe a reduction of airborne particles in spray booth of up to 50%
- Neutralizes particles electrical charge so they stick to the floor, not the vehicle



Order No.	Description
803491	Dirt Control Floor Coat
803492	2-Gallon Pump Sprayer

### Dirt Control Wall Coat

Maintains bright spray booth walls for better color-match visibility

- Bright white, water based formula
- Lasts 500 bake cycles
- Easily peels off and reapplies without surface prep



Order No.	Description
803668	4 gals/cs

### DeVilbiss® Clear Glass Coat

Peelable glass surface coating

Order No.	Description
803669	6 quarts/cs



## 1. Bumper Cover Surfaces

### Bumper Prep Pad

Clean, degrease and abrade in one easy step

- Removes mold release residues found in OEM bumper covers
- Removes both water-based and oil-based contaminants
- Prepares surface for paint adhesion
- Individually bar coded for job costing



Order No.	Description
803557	1/pkg-12/cs

## 4. Pre-Paint - Decontamination

### DeWipe-Outs™

Pre-saturated wipes for contaminant-free primed surfaces

- OEM process for final decontamination
- Eliminates static that attracts dirt
- Ideal for paintable surfaces, plastic parts and bumper covers



Order No.	Description	Quantity
803045	85% IPA/15% DI Water – Normal Climates Formula	50 wipes/pouch
803046	50% IPA/50% DI Water – Dry Climates Formula	50 wipes/pouch
803418	Acetone Blend – Low VOC Formula	50 wipes/pouch

### DeWipe-Outs™ Refill Case

Sealed container keeps DeWipe-Outs saturated and ready to use

Order No.	Description
803048	



## CLEAN SURFACE PREP

Best practices for contaminant-free refinishing

### 2. Pre-Paint Surfaces - Cleaning

#### Paint Prep Wipe

Pre-clean prep wipe

- Strong, absorbent, virtually lint-free non-woven wipe
- For use with water-based and solvent-based surface pre-cleaners
- Production oriented ¼ fold format



Order No.	Model No.	
803657	DC-101	300 ct dispenser box

### 3. Pre-Paint Surfaces - Tacking

#### Tack Wipe

Removes lint and fine particulates from refinish surfaces

- Low tack and moderate tack formulas
- Solvent and waterborne compatible
- Individually bar coded for job costing



Order No.	Model No.	Description	
803816	TCK-101-K12	Moderate Tack: Cotton	Individually bagged 12/bx
803817	TCK-121-K12	Low Tack: Poly	Individually bagged 12/bx

### 5. Intercoat Surfaces

#### Anti-Static Wipe

Treated wipe eliminates static between refinish coats

- Removes contaminants between coats of sealer, basecoat and before clear
- Helps reduce orange peel and improve metallic orientation
- Non-marring, lint-free and reusable



Order No.	
803553	Individually bagged 12/cs

### Defect Repair

#### Shim-Mask®

Stainless steel masking stencil minimizes repair area of runs, sags and nibs

- Helps prevent sanding and shaving rub-through
- Saves time and improves repair quality
- Minimizes repair area to prevent over processing



Order No.	
803654	3/pkg



## CAMAIR QC3 FILTER AND DRYER UNIT

Order No  
**130525**

**A Great Choice for Light Usage such as Low Volume Shops, Restorers, Customizers, and Hobbyists**

- Three-stage filtering with 0.1 micron rating produces clean, oil- and humidity-free air.
- High performance filtration with only 2 PSI pressure drop.
- Quick change filter cartridge is easy to maintain. Bowl removal tool included.
- Larger filter media and longer life desiccant than disposable dryers
- Install at point of use

### QC3 Desiccant Cartridge Dryer

Order No.	Description
130525	Desiccant Filter and Dryer Unit
130524	QC3 Filter and Desiccant Cartridge Replacement



## FinishLine® AIR CONTROL UNIT

Order No. Model No.  
**130099 HAR-602**

- Includes:**
- 5 micron particle filter
  - Mounting bracket
  - Regulator and gauge

- The Value Leader**
- Removes moisture and dirt
  - Regulates air pressure

### ACCESSORIES

**192314 / GA-375**  
Gauge for HAR-520 regulator



**192315 / HAF-39**  
HAR-602 Element Kit



**130100 / HAR-520**  
50 CFM regulator for HAR-602

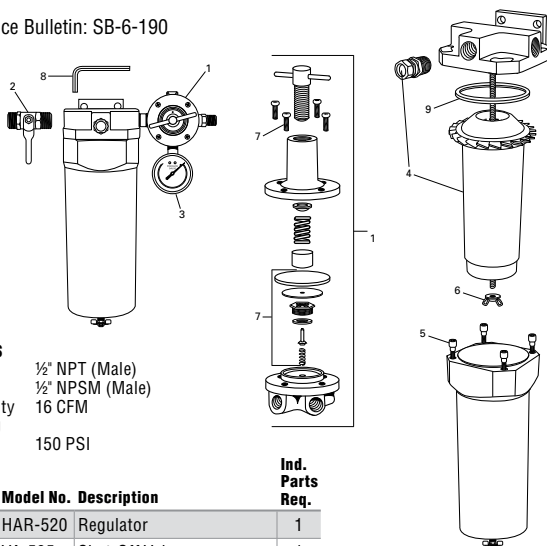


## FinishLine® Air Control Unit

Order No.	Model No.	Description
130099	HAR-602	120 CFM air line filter w/ 50 CFM regulator
192315	HAF-39	Filter element and gasket kit



Refer to Service Bulletin: SB-6-190

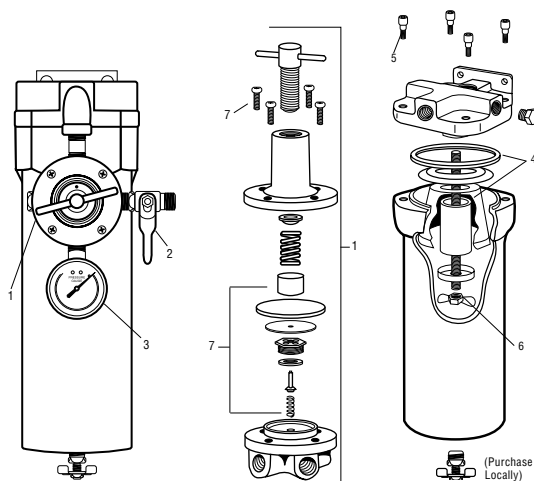


**SPECIFICATIONS**  
Air Inlet 1/2" NPT (Male)  
Air Outlet 1/2" NPSM (Male)  
Air Flow Capacity 16 CFM  
Max. Operating Pressure 150 PSI

Ref. No.	Order No.	Model No.	Description	Ind. Parts Req.
1	130100	HAR-520	Regulator	1
2	802188	VA-595	Shut-Off Valve	1
3	192314	GA-375	Pressure Gauge	1
4	130524	130524	Cartridge, Dryer Filter*	1
5	Purchase Locally		Socket Head Screw, 1/4-20 @ 3/4	4
6	Purchase Locally		Wingnut, 1/4-20	1
7	802112	KK-5088	Regulator Repair Kit	1
8	Purchase Locally		5mm Hex Key Wrench	1
9	803094	HAF-45	Gasket, Filter Bowl	1

\*Cartridge includes indicator window & humidity paper

Refer to Service Bulletin: SB-6-180



Ref. No.	Order No.	Model No.	Description	Ind. Parts Req.
1	130100	HAR-520	Regulator	1
2	240160	VA-594	Shut-Off Valve	1
3	192314	GA-375	Pressure Gauge	1
4	192315	HAF-39	Element & Gasket Kit	1
5	Purchase Locally		Socket Head Screw, 1/4-20 x 3/4	4
6	Purchase Locally		Wingnut, 1/4-20	1
7	802112	KK-5088	Regulator Kit	1

**SPECIFICATIONS**  
Air Inlet 1/2" NPT (female)  
Air Outlet 1/4" NPS (male)  
Air Capacity 120 CFM filter  
50 CFM regulator  
Max. Pressure 150 PSI  
Max. Temperature 150°F (65.6°C)  
Filter Size 5 micron