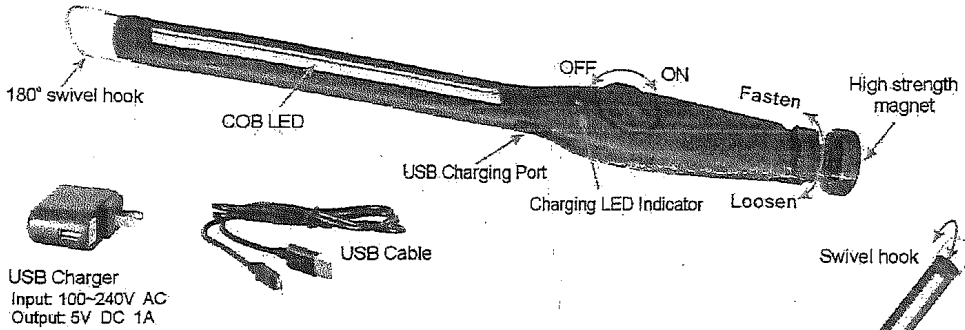




# DF-LED935

## ULTRA LED COB SLIM LIGHT ADJUSTABLE LUMEN SWITCH



USB Charger  
Input: 100-240V AC  
Output: 5V DC 1A

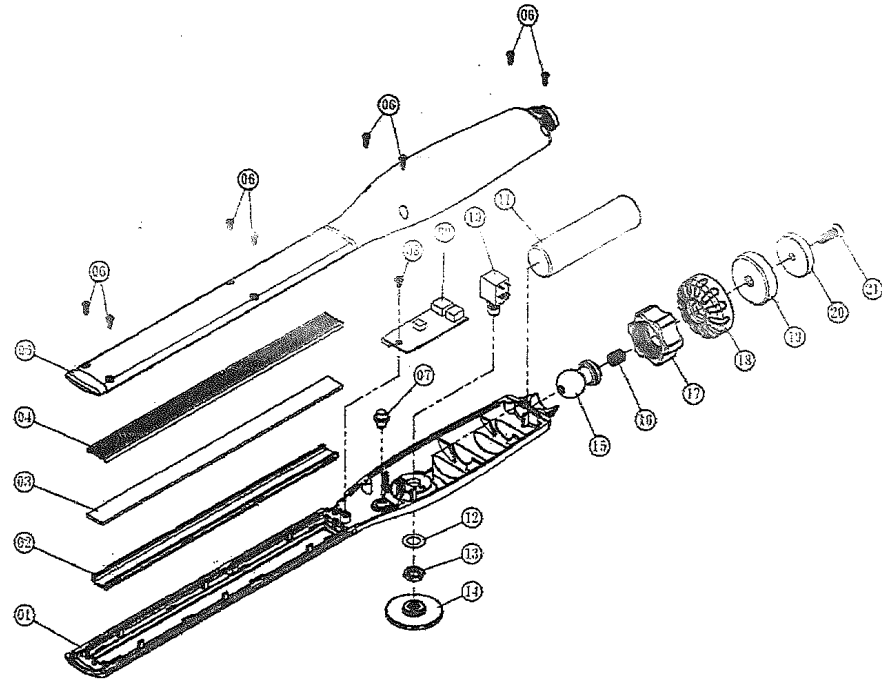
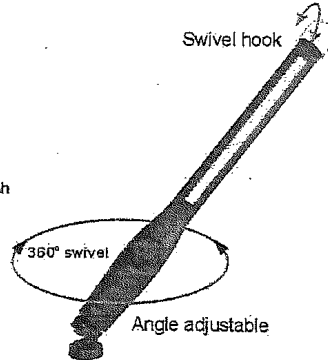


### Features :

1. Micro adjustment lumen switch
2. Foldable base with powerful magnet
3. Swivel hanging hook
4. Build in 2200 mAh Li-Ion battery
5. For full light - approx 2.5 hours working hours, for semi light - approx 10 working hours
6. 4 hours charging time:  
in charging - red indicator flash,  
charged completed - blue indicator light on,  
low battery - yellow indicator flash
7. Comes with 5V 1A USB charger & USB cable

### Specifications:

- A. LED Max power : 15W LED COB light
- B. Li-ion Rechargeable battery : 3.7V 2200mAh
- C. Charger input : AC100~240V 50/60Hz
- D. Power output : 5.0V 1000mAh
- E. Charger time : 3.5~4.0hours
- F. Active time : 2.5hours
- G. Storage temperature : -20°C to 70°C
- H. Operation temperature : -5°C to 50°C
- I. Product Size : 375(L) X 40(W) X 30(H) mm



Ref. No.	Part No.	Description	Q'ty /Tool	Ref. No.	Part No.	Description:	Q'ty /Tool
1	DF-SPHL1115001	Top housing	1	12	DF-SPHL1115012	Washer	1
2	DF-SPHL1115002	Lens	1	13	DF-SPHL1115013	Nut	1
3	DF-SPHL1115003	COB LED	1	14	DF-SPHL1115014	Switch knob	1
4	DF-SPHL1115004	Heatsink	1	15	DF-SPHL1115015	Swivel joint	1
5	DF-SPHL1115005	Base housing	1	16	DF-SPHL1115016	Coupling bolt	1
6	DF-SPHL1115006	Screw	8	17	DF-SPHL1115017	Adjust nut	1
7	DF-SPHL1115007	Charging LED indicator	1	18	DF-SPHL1115018	Magnet holder	1
8	DF-SPHL1115008	Screw	1	19	DF-SPHL1115019	Magnet	1
9	DF-SPHL1115009	Circuit board	1	20	DF-SPHL1115020	Magnetic cover	1
10	DF-SPHL1115010	Brightness Controller	1	21	DF-SPHL1115021	Screw	1
11	DF-SPHL1115011	Li-ion Rechargeable battery	1				