



Chicago
Pneumatic

Operator's Manual

CP7763, CP7773,
CP7763D, CP7773D Series

3/4" & 1" Impact Wrench



WARNING

To reduce risk of injury, everyone using, installing, repairing, maintaining, changing accessories on, or working near this tool must read and understand these instructions, as well as separately provided safety instructions part number 6159948710, before performing any such task.

Air Diagram:

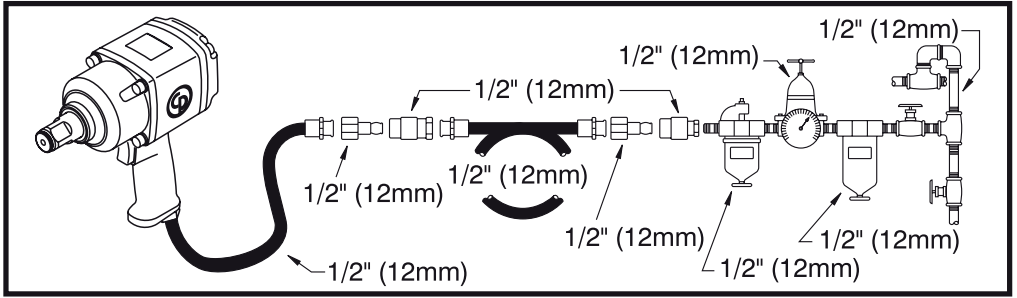


Fig. 1

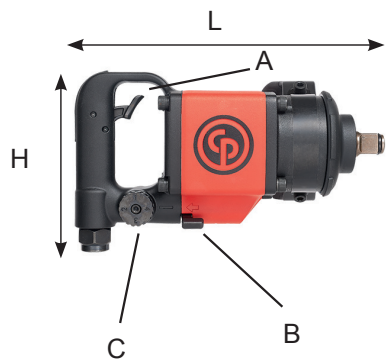
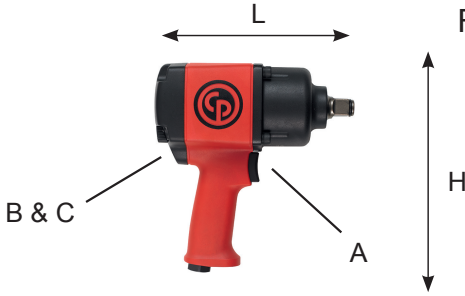


Fig. 2



Fig. 3



Fig. 4

Model	Drive	Torque		Speed	Dimension	Air consumption		Weight	Inner hose diameter	Air inlet	Sound pressure L _{PA}	Sound power L _{WA}	Vibrations	
		Working	Max			Average	@ load						a	k
			3	4	5	6	7	8	9	10	11			
												ft.lbs N.m	ft.lbs N.m	rpm
CP7763	3/4"	100 - 950 136 - 1288	1 200 1 627	6 300	8.7*3.5*9.1 220*90*230	7.5 3.5	30 14.2	11.6 5.3	1/2" 12	3/8" FEMALE	96	107	10.4	4.2
CP7773	1"	100 - 950 136 - 1288	1 200 1 627	6 300	8.7*3.5*9.1 220*90*230	7.5 3.5	30 14.2	12.1 5.5	1/2" 12	3/8" FEMALE	96	107	10.4	4.2
CP7763-6	3/4" (6" ext.)	100 - 950 136 - 1288	1 200 1 627	6 300	14.9*3.5*9.1 380*90*230	7.5 3.5	30 14.2	13.9 6.3	1/2" 12	3/8" FEMALE	96	107	10.4	4.2
CP7773-6	1" (6" ext.)	100 - 950 136 - 1288	1 200 1 627	6 300	14.9*3.5*9.1 380*90*230	7.5 3.5	30 14.2	14.3 6.5	1/2" 12	3/8" FEMALE	96	107	10.4	4.2
CP7763D	3/4"	250 - 1070 340 - 1450	1 300 1 760	6 600	11.4*3.5*6.5 290*90*165	10.2 4.7	41 19.3	14.3 6.5	1/2" 12	1/2" FEMALE	98	109	12.0	3.3
CP7773D	1"	250 - 1070 340 - 1450	1 300 1 760	6 600	11.4*3.5*6.5 290*90*165	10.2 4.7	41 19.3	14.5 6.6	1/2" 12	1/2" FEMALE	98	109	12.0	3.3
CP7763D-6	3/4" (6" ext.)	250 - 1070 340 - 1450	1 300 1 760	6 600	17.5*3.5*6.5 445*90*165	10.2 4.7	41 19.3	16.1 7.3	1/2" 12	1/2" FEMALE	98	109	12.0	3.3
CP7773D-6	1" (6" ext.)	250 - 1070 340 - 1450	1 300 1 760	6 600	17.5*3.5*6.5 445*90*165	10.2 4.7	41 19.3	16.3 7.4	1/2" 12	1/2" FEMALE	98	109	12.0	3.3

CP7763, CP7773, CP7763D, CP7773D Series impact wrench

1. Technical Data

Model	Drive	Torque		Free speed	Dimension L x W x H	Air Consumption		Weight	Inner Hose Dia.	Air Inlet	Sound pressure L _{PA}	Sound power L _{WA}	Vibrations	
		Working	Max			Average	at load						a _{hV}	K
1	2	3	4	5	6	7	8	9	10					
[inch]	[ft.lbs] [Nm]	[ft.lbs] [Nm]	[min-1]	[inch] [mm]	[N/s] [SCFM]	[kg] [lb]	[inch] [mm]	[inch] [mm]	[inch]	[dB(A)]	[dB(A)]	[m/s ²]	[m/s ²]	

max. pressure 6.3bar(90psi)

a_v : Vibration level, k Uncertainty ; L_{PA} Sound pressure dB(A), K_{PA} = K_{WA} = 3 dB Uncertainty.

Declaration of noise and vibration statement (ISO 15744 and ISO 28927-2)

All values are current as of the date of this publication.

These declared values were obtained by laboratory type testing in accordance with the stated standards and are suitable for comparison with the declared values of other tools tested in accordance with the same standards. These declared values are not adequate for use in risk assessments and values measured in individual work places may be higher. The actual exposure values and risk of harm experienced by an individual user are unique and depend upon the way the user works, the workplace and the workstation design, as well upon the exposure time and the physical condition of the user. We, CHICAGO PNEUMATIC TOOLS, cannot be held liable for the consequences of using the declared values, instead of values reflecting the actual exposure, in an individual risk assessment in a work place situation over which we have no control. This tool may cause hand-arm vibration syndrome if its use is not adequately managed.

2. Machine type(s)

- This product is designed for installing and removing threaded fasteners in wood, metal and plastic. No other use permitted. For professional use only.
- Please read the instructions carefully before starting the machine.

3. Operation

- Fix the accessories properly to the tool.
- Connect device as shown in Fig. 01 to a clean and dry air supply.
- To start the machine, pull the trigger (A). Machine speed is increase by increasing pressure on the trigger. Release the trigger to stop.
- To switch rotation, turn the switch (B) as shown in Fig. 03.
- Use the reverse switch (B) only when the drive spindle comes to a complete stop. Changing the speed before the drive spindle stops may damage the machine.
- To adjust output power, turn the regulator (C) as shown in Fig. 04.

4. Lubrication

Motor

- Use an air line lubricator with SAE #10 oil, adjusted to two drops per minute. If an air line lubricator cannot be used, add air motor oil to the inlet once a day.

Recommended lubricant : CP Oil PROTECTO-LUBE

- 4 oz (0.12l) P/N: CA149661
- 20.8 oz (0.59l) P/N: CA000046
- 1gal (3.8l) P/N: P089507

Clutch

- Use CP Pneu-Lube synthetic clutch Grease 8940158455 : 0,5 oz. (15g).

5. Maintenance instruction

- Follow local country environmental regulations for safe handling and disposal of all components.**
- Maintenance and repair work must be carried out by qualified personnel using only original spare parts. Contact the manufacturer or your nearest authorised dealer for advice on technical service or if you require spare parts.
- Always ensure that the machine is disconnected from energy source to avoid accidental operation.
- Disassemble and inspect the tool every three 3 months if the tool is used every day. Replace damaged or worn parts.
- High wear parts are underlined in the parts list.
- To keep downtime to a minimum, the following service kits are recommended :

Tune-Up Kit : see part list

6. Disposal

- The disposal of this equipment must follow the legislation of the respective country.
- All damaged, badly worn or improperly functioning devices MUST BE TAKEN OUT OF OPERATION.
- Repair only by technical maintenance staff.**

7. EC Declaration of conformity

Machine type(s) : **impact wrench**

Declare that the product(s) : **CP7763, CP7763-6, CP7773, CP7773-6, CP7763D, CP7763D-6, CP7773D, CP7773D-6**

Serial Number : **00001-99999**

Origin of the product : **Taiwan**

is in conformity with the requirements of the council Directives on the approximation of the laws of the Member States relating to "Machinery" **2006/42/EC (17/05/2006)**

applicable harmonised standard(s) : **EN ISO 11148-6:2012**

Name and position of issuer : **Pascal Roussy (R&D Manager)**

Place & Date : Saint-Herblain, **23/09/2015**

Copyright 2015, Chicago Pneumatic Tool Co. LLC

All rights reserved. Any unauthorized use or copying of the contents or part thereof is prohibited. This applies in particular to trademarks, model denominations, part numbers and drawings. Use only authorized parts. Any damage or malfunction caused by the use of unauthorized parts is not covered by Warranty or Product Liability.



WARNING

To reduce risk of injury, everyone using, installing, repairing, maintaining, changing accessories on, or working near this tool must read and understand these instructions before performing any such task.

SAFETY INSTRUCTIONS

DO NOT DISCARD - GIVE TO USER

- Our goal is to produce tools that help you work safely and efficiently. The most important safety device for this or any tool is YOU. Your care and good judgment are the best protection against injury. All possible hazards cannot be covered here, but we have tried to highlight some of the important ones.
- Only qualified and trained operators should install, adjust or use this power tool.
- This tool and its accessories must not be modified in any way.
- Do not use this tool if it has been damaged.
- If the rated speed, operating pressure or hazard warning signs on the tool cease to be legible or become detached, replace without delay.

⚠ Air Supply And Connection Hazards

- Air under pressure can cause severe injury.
- Always shut off air supply, drain hose of air pressure and disconnect tool from air supply when not in use, before changing accessories or when making repair.
- Never direct air at yourself or anyone else
- Whipping hoses can cause serious injury. Always check for damaged or loose hoses and fittings.
- Do not use quick disconnect couplings at tool. See instructions for correct setup.
- Whenever universal twist couplings are used, lock pins must be installed.
- Do not exceed maximum air pressure of 90 psi/6.3 bar or as stated on tool nameplate.

⚠ Entanglement Hazards

- Keep away from rotating drive. Choking, scalping and / or lacerations can occur if loose clothing, gloves, jewellery, neck ware and hair are not kept away from tool and accessories.
- Gloves can become entangled with the rotating drive, causing severed or broken fingers.
- Rotating drive sockets and drive extensions can easily entangle rubber-coated or metal reinforced gloves.
- Do not wear loose-fitting gloves or gloves with cut or frayed fingers.
- Never hold the drive, socket or drive extension.

⚠ Projectile Hazards

- Always wear impact-resistant eye and face protection when involved with or near the operation, repair or maintenance of the tool or changing accessories on the tool.
- Be sure all others in the area are wearing impact-resistant eye and face protection. Even small projectiles can injure eyes and cause blindness.
- Serious injury can result from over-torqued or under-torqued fasteners, which can break, or loosen and separate. Released assemblies can become projectiles. Assemblies requiring a specific torque must be checked using a torque meter.

Note: So-called "click" torque wrenches do not check for potentially dangerous over-torque conditions.

- Use only impact wrench sockets and accessories in good condition. Sockets in poor condition or hand sockets and accessories used with impact wrenches can shatter.
- Never operate the tool off of the work. It may run too fast and cause the accessory to be thrown off the tool.
- Ensure that the workpiece is securely fixed.

⚠ Accessory hazards

- Use only proper accessory retainers (see parts list). Use deep sockets wherever possible.
- For tools using the pin and O-ring socket retention system, use the O-ring to retain the socket pin securely.
- Always use the simplest hook-up possible. Long, springy extension bars and adapters absorb impact power and could break. Use deep sockets wherever possible.

⚠ Operating hazards

- Operators and maintenance personnel must be physically able to handle the bulk, weight and power of the tool.
- Hold the tool correctly; be ready to counteract normal or sudden movements – have both hands available.
- Do not use with reduced air pressure or in a worn condition: the clutch may not operate, resulting in sudden rotation of the tool handle.
- Be in control of the throttle at all times. Do not get caught between the tool and the work.

⚠ Repetitive motion hazards

- When using a power tool to perform work-related activities, the operator might experience discomfort in the hands, arms, shoulders, neck, or other parts of the body.
- Adopt a comfortable posture whilst maintaining secure footing and avoiding awkward or offbalance postures. Changing posture during extended tasks can help avoid discomfort and fatigue.
- Do not ignore symptoms such as persistent or recurring discomfort, pain, throbbing, aching, tingling, numbness, burning sensation, or stiffness. Stop using the tool, tell your employer and consult a physician.

⚠ Noise and Vibration hazards

- High sound levels can cause permanent hearing loss and other problems such as tinnitus. Use hearing protection as recommended by your employer or occupational health and safety regulations.
- Exposure to vibration can cause disabling damage to the nerves and blood supply of the hands and arms. Wear warm clothing and keep your hands warm and dry. If numbness, tingling, pain or whitening of the skin occurs, stop using tool, tell your employer and consult a physician.
- Hold the tool in a light but safe grip because the risk from vibration is generally greater when the grip force is higher. Where possible use a suspension arm or fit a side handle.
- To prevent unnecessary increases in noise and vibration levels:
 - Operate and maintain the tool, and select, maintain and replace the accessories and consumables, in accordance with this instruction manual;
 - Do not use worn or ill-fitting screwdriver bits, sockets or extensions.
 - Do not touch sockets or accessories during impacting.

⚠ Workplace Hazards

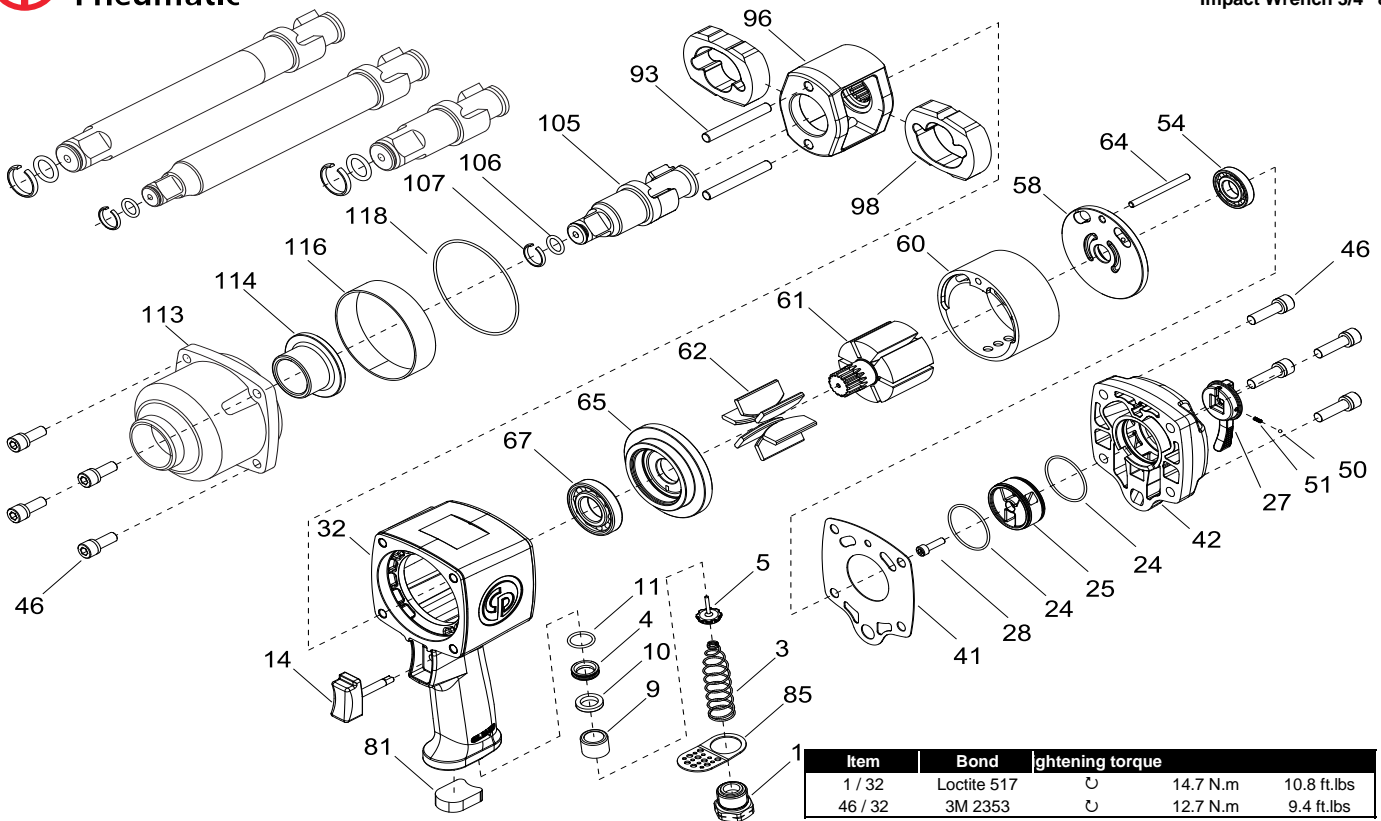
- Slip/Trip/Fall is a major cause of serious injury or death. Be aware of excess hose left on the walking or work surface.
- Avoid inhaling dust or fumes or handling debris from the work process which can be harmful to your health (for example, cancer, birth defects, asthma and/or dermatitis). Use dust extraction and wear respiratory

protective equipment when working with materials which produce airborne particles.

- Some dust created by power sanding, sawing, grinding, drilling and other construction activities contains chemicals known to the State of California to cause cancer and birth defects or other reproductive harm. Some examples of these chemicals are:
 - Lead from lead based paints
 - Crystalline silica bricks and cement and other masonry products
 - And Arsenic and chromium from chemically- treated rubber

Your risk from these exposures varies, depending on how often you do this type of work. To reduce your exposure to these chemicals: work in a well ventilated area, and work with approved safety equipment, such as dust masks that are specially designed to filter out microscopic particles.

- Proceed with care in unfamiliar surroundings. Be aware of potential hazards created by your work activity. This tool is not insulated for coming into contact with electric power sources.
- This tool is not recommended for use in explosive atmospheres.



Item	Part No	Description	Qty.
A 8940171665 AIR INLET KIT			
1		Inlet Bushing	1
81		Muffler	1
85		Exhaust-Deflector	1
B 8940171666 THROTTLE VALVE KIT			
3		Spring-Throttle Valve	1
4		Insert Bushing	1
5		Valve-Throttle	1
9		Bushing	1
10	8940162875	Seal	1
11		O-Ring	1
C 8940171667 REVERSE / REGULATOR VALVE KIT			
24		O-Ring	2
25		Reverse Valve	1
27		Lever-Reverse Valve	1
28		Screw	1
50		Steel Ball	1
51		Spring	1
D 8940171668 REAR COVER ASSEMBLY			
41		Gasket-Rear Cover	1
42		Rear Cover	1
46		Screw	4
50		Steel Ball	1
51		Spring	1
E 8940171669 REAR END PLATE ASSEMBLY			
54	8940162872	Bearing	1
58		Plate-Rear End	1
F 8940171670 FRONT END PLATE ASSEMBLY			
65		Plate-Front End	1
67	8940162865	Bearing	1
G 8940171671 CLUTCH HOUSING ASSEMBLY			
46		Screw	4
113		Clutch Housing	1
114	8940162845	Bushing-Clutch Housing	1
116		Steel Ring	1
118		O-Ring	1

Item	Part No	Description	Qty.
H1 8940162947 3/4" ANVIL ASSEMBLY CP7763			
105-3/4"		Anvil	1
106-3/4"		O-Ring	1
107-3/4"		Friction Ring	1
H2 8940162948 3/4" ANVIL ASSEMBLY - 6" EXT. CP7763-6			
105-3/4" EXT		Anvil	1
106-3/4"		O-Ring	1
107-3/4"		Friction Ring	1
H12 8940168715 SOCKET RETAINING KIT - 3/4" CP7763, CP7763-6			
106-3/4"		O-Ring	5
107-3/4"		Friction Ring	5
H3 8940162949 1" ANVIL ASSEMBLY CP7773			
105-1"		Anvil	1
106-1"		O-Ring	1
107-1"		Friction Ring	1
H4 8940162950 1" ANVIL ASSEMBLY - 6" EXT. CP7773-6			
105-1" EXT		Anvil	1
106-1"		O-Ring	1
107-1"		Friction Ring	1
H34 8940171672 SOCKET RETAINER KIT - 1" CP7773, CP7773-6			
106-1"		O-Ring	5
107-1"		Friction Ring	5
I 8940171673 GASKET KIT			
41		Gasket-Rear Cover	1
118		Gasket-Clutch Housing	1
J 8940171674 SMALL PARTS KIT			
46		Screw	8
50		Steel Ball	1
51		Spring	1
OTHER PARTS AND SETS			
14	8940162882	Trigger	1
32	8940171689	Housing-Motor	1
60	8940162869	Liner	1
61	8940162868	Rotor	1
62	8940162867	Vanes (set of 6)	1
64	8940162871	Dowel pin	1
93	8940171675	Pins (set of 2)	1
96	8940162856	Cage	1
98	8940171676	Dogs (set of 2)	1
-	8940162889	Nameplate / Warning Label	CP7763 1
-	8940162890	Nameplate / Warning Label	CP7763-6 1
-	8940162891	Nameplate / Warning Label	CP7773 1
-	8940162892	Nameplate / Warning Label	CP7773-6 1

	8940163002	OPERATOR'S MANUAL
	6159948710	SAFETY INSTRUCTIONS

8940171687 TUNE UP KIT
10, 11, 24, 41, 50, 51, 62, 81 & 118

Recommended Accessories				
	Hose whip	Hose kit (incl. EasyFlow coupling)	Nipple	FRL kit (incl. EasyFlow coupling)
BSP (EURO 7.6mm)	6158112640	6153980575	6158105920	6153980375
NPT	CA049271	6153980615	6158105780	6153980405
NPT (Asia 7.5mm)	CA049271	6153980665	6158106850	6153980435