
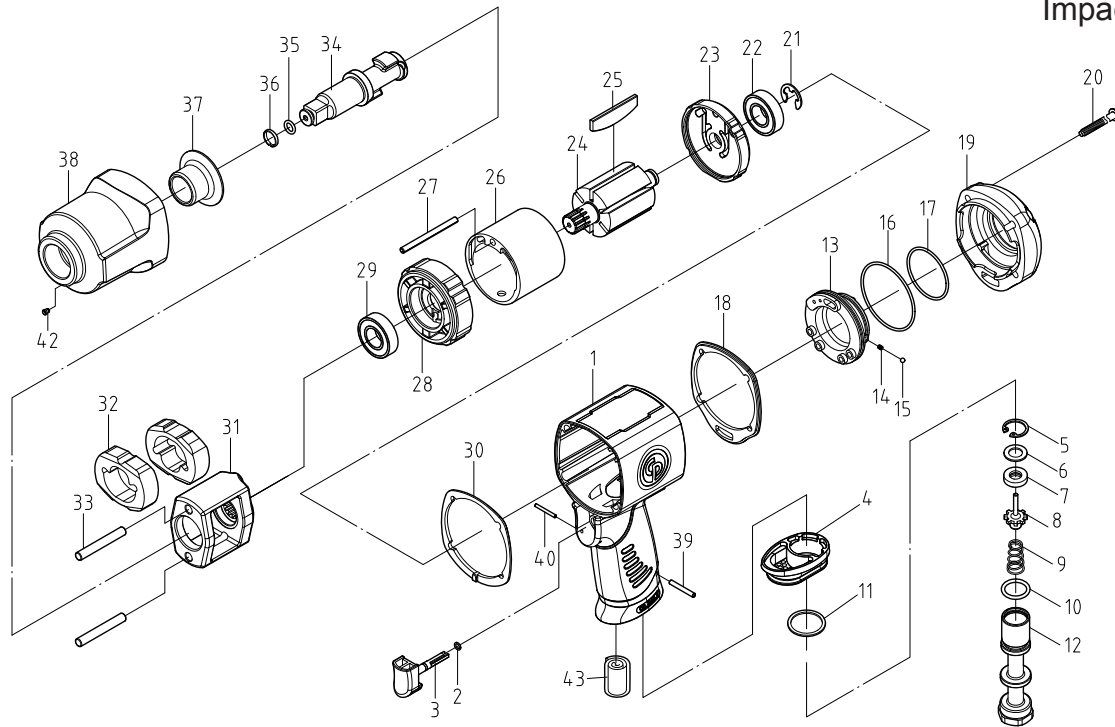


Spare parts without part number are not sold separately


Index No.	Part No.	Description	Qty.	Index No.	Part No.	Description	Qty.
34	8950240454	HAMMER CAGE	1	32	8950221424	END PLATE KIT	
35	8950240294	HAMMER	2			END PLATE	1
36	8950240456	PIN SET (2)	1	33		BALL BEARING	1
	8940169489	HOUSING KIT			8950240460	ANVIL KIT	
1		HOUSING	1	37		ANVIL 1/2"	1
2		O-RING	1	38		O-RING	1
3		TRIGGER	1	39		ANVIL COLLAR 1/2"	1
7		EXHAUST DEFLECTOR	1		8940169492	ANVIL KIT EXTENDED	
9		VALVE SEAT	1	37		ANVIL 1/2" EXTENDED	1
10		VALVE STEM	1	38		O-RING	1
11		SPRING	1	39		ANVIL COLLAR 1/2"	1
12		O-RING	2		8950251279	ANVIL COLLAR KIT (5)	
8		WASHER	1	38		O-RING	5
13		AIR INLET	1	39		ANVIL COLLAR 1/2"	5
6/4		SPRING PIN	2		8940169493	HAMMER CASE KIT	
5		MUFFLER	1	24		GASKET	1
	8940169802	TRIGGER KIT		40		ANVIL BUSHING	1
		O-RING	1	41		HAMMER CASE	1
		TRIGGER	1	42		GREASE FITTING	1
4		SPRING PIN	1		8950280019	SMALL PARTS KITS	
	8940171695	INLET KIT		8		WASHER	1
7		EXHAUST DEFLECTOR	1	17		SPRING	1
12		O-RING	2	31		SPRING PIN	1
8		WASHER	1	40		ANVIL BUSHING	1
13		AIR INLET	1	5		MUFFLER	1
6		SPRING PIN	1	42		GREASE FITTING	1
5		MUFFLER	1		8950280020	GASKET KIT	
	8940171696	VALVE KIT		14		GASKET	1
9		VALVE SEAT	1	23		SCREW	4
10		VALVE STEM	1	24		GASKET	1
11		SPRING	1		8940169810	TUNE UP KIT	
5		MUFFLER	1	2		O-RING	1
	8940171697	REVERSE VALVE REAR COVER KIT		12		O-RING	2
16		REVERSE VALVE	1	18		STEEL BALL	1
17		SPRING	1	19		O-RING	1
18		STEEL BALL	1	20		O-RING	1
19		O-RING	1	25		RETAINING RING	1
20		O-RING	1	29		ROTOR BLADE(7)	1
15		SCREW	1	26		BALL BEARING	1
22		REVERSE LEVER	1	33		BALL BEARING	1
14		GASKET	1	6		SPRING PIN	1
21		HOUSING COVER	1	4		SPRING PIN	1
23		SCREW	4				
28	8950221418	ROTOR	1				
29	8950221419	ROTOR BLADE(7)	1				
30	8950221420	CYLINDER	1				
	8950221423	END PLATE KIT					
25		RETAINING RING	1				
26		BALL BEARING	1				
27		END PLATE	1				

	8940169372	Operator's Manual
	8950900061	WARNING LABEL
	6159948710	Safety Instruction



Spare parts without part number are not sold separately

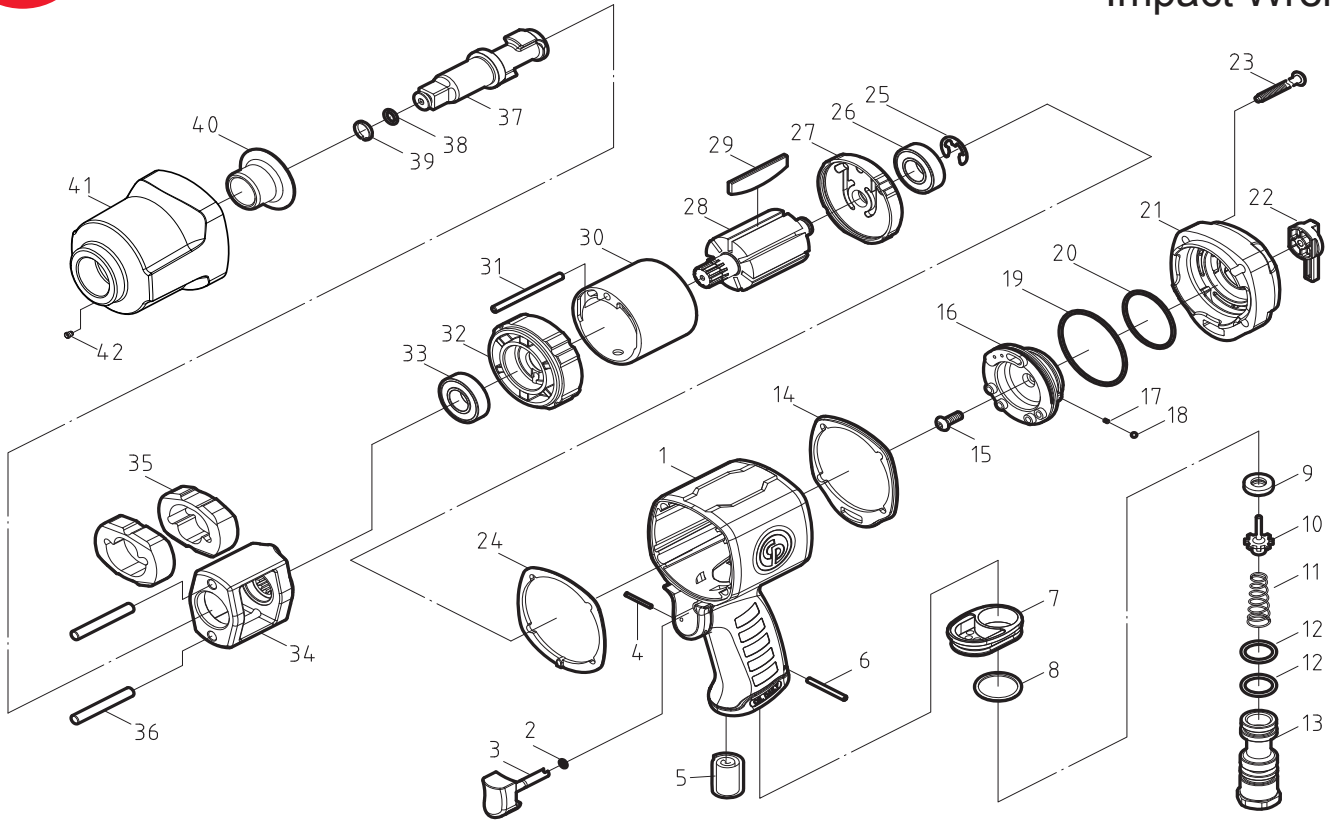
Index No.	Part No.	Description	Qty.	Index No.	Part No.	Description	Qty.
31	8950240454	HAMMER CAGE	1	21	8950221423	END PLATE KIT	
32	8950240294	HAMMER	2			RETAINING RING	1
33	8950240456	PIN SET (2)	1	22		BALL BEARING	1
	8940169489	HOUSING KIT		23		END PLATE	1
1		HOUSING	1	28	8950221424	END PLATE KIT	
2		O-RING	1			END PLATE	1
3		TRIGGER	1	29		BALL BEARING	1
4		EXHAUST DEFLECTOR	1	34	8950240460	ANVIL KIT	
5		RETAINING RING	1			ANVIL 1/2"	1
6		WASHER	1	35		O-RING	1
7		VALVE SEAT	1	36		ANVIL COLLAR 1/2"	1
8		VALVE STEM	1	34	8940169492	ANVIL KIT EXTENDED	
9		SPRING	1			ANVIL 1/2" EXTENDED	1
10		O-RING	1	35		O-RING	1
11		WASHER	1	36		ANVIL COLLAR 1/2"	1
12		AIR INLET	1	35	8950251279	ANVIL COLLAR KIT (5)	
39 / 40		SPRING PIN	1			O-RING	5
43		MUFFLER	1	36		ANVIL COLLAR 1/2"	5
	8940169802	TRIGGER KIT		30	8940169493	HAMMER CASE KIT	
2		O-RING	1			GASKET	1
3		TRIGGER	1	37		ANVIL BUSHING	1
40		SPRING PIN	1	38		HAMMER CASE	1
	8950212133	INLET KIT		42		GREASE FITTING	1
4		EXHAUST DEFLECTOR	1	8950280019	SMALL PARTS KITS		
10		O-RING	1			WASHER	1
11		WASHER	1	10		SPRING	1
12		AIR INLET	1	14		SPRING PIN	1
39		SPRING PIN	1	27		ANVIL BUSHING	1
43		MUFFLER	1	37		MUFFLER	1
	8950212134	VALVE KIT		43		GREASE FITTING	1
5		RETAINING RING	1	42		GASKET KIT	
6		WASHER	1			GASKET	1
7		VALVE SEAT	1	30	8950280020	GASKET KIT	
8		VALVE STEM	1			GASKET	1
9		SPRING	1	20		SCREW	4
	8940169490	REVERSE VALVE KIT		18		GASKET	1
13		REVERSE VALVE	1	10	8940169810	TUNE UP KIT	
14		SPRING	1			O-RING	1
15		STEEL BALL	1	5		RETAINING RING	1
16		O-RING	1	2		O-RING	1
17		O-RING	1	15		STEEL BALL	1
	8940169491	COVER KIT		16		O-RING	1
18		GASKET	1	17		O-RING	1
19		HOUSING COVER	1	21		RETAINING RING	1
20		SCREW	4	25	8950221419	ROTOR BLADE	7
	8950221422	MOTOR KIT		29		BALL BEARING	1
21		RETAINING RING	1	22		BALL BEARING	1
22		BALL BEARING	1	39		SPRING PIN	1
23		END PLATE	1	40		SPRING PIN	1
24	8950221418	ROTOR	1				
25	8950221419	ROTOR BLADE	7				
26	8950221420	CYLINDER	1				
27		SPRING PIN	1				
28		END PLATE	1				
29		BALL BEARING	1				

	8940169372	Operator's Manual
	8940169370	Nameplate-Warning Label (CP7748 only)
	8940169371	Nameplate-Warning Label (CP7748-2 only)
	8940169373	EC Declaration
	6159948710	Safety Instruction



**Chicago
Pneumatic**

**CP7748 Series
Model E
Impact Wrench**



Item No.	Part No.	Description	Q'ty
28	8950221418	Rotor	1
29	8950221419	Rotor Blade (Set of 7)	1
30	8950221420	Cylinder	1
34	8950240454	Hammer Cage	1
35	8950240455	Hammer	2
36	8950240456	Pin Set (x2)	1
A	8940169489	Housing Kit	
1		Housing	1
2		O-ring	1
3		Trigger	1
4		Spring Pin	1
5			1
6		Threaded Pin M4xP0.7	1
7			1
8		Washer	1
9		Valve Seat	1
10		Valve Stem	1
11		Spring	1
12		O-ring	2
13		Air Inlet	1
B	8940169802	Trigger Kit	
2		O-ring	1
3		Trigger	1
4		Spring Pin	1
C	8940171695	Inlet Kit	
5			1
6		Threaded Pin M4xP0.7	1
7			1
8		Washer	1
12		O-ring	2
13		Air Inlet	1
D	8940171696	Valve Kit	
5			1
9		Valve Seat	1
10		Valve Stem	1
11		Spring	1
E	8940171697	Reverse Valve Rear Cover Kit (Included : 14, 15, 16, 17, 18, 19, 20, 21, 22 & 23(x4))	
F	8940172795	Reverse Valve Kit (Included : 15, 16, 17, 18, 19 & 20)	

Item No.	Part No.	Description	Q'ty
G	8950221423	End Plate Kit	
25		Retaining Ring	1
26		Ball Bearing	1
27		End Plate	1
H	8950221424	End Plate Kit	
32		End PLate	1
33		Ball Bearing	1
I	8950240460	Anvil Kit	
37		Anvil 1/2"	1
38		O-ring	1
39		Anvil Collar 1/2"	1
J	8940169492	Anvil Kit Extended	
37		Anvil 1/2"	1
38		O-ring	1
39		Anvil Collar 1/2"	1
K	8950251279	Anvil Collar Kit (5)	
38		O-ring	5
39		Anvil Collar 1/2"	5
L	8940169493	Hammer Case Kit	
24		Gasket	1
40		Anvil Bushing	1
41		Hammer Case	1
42		Grease Fitting	1
M	8950280019	Small Parts Kit	
5			1
8		Washer	1
17		Spring	1
31		Spring Pin	1
40		Anvil Bushing	1
42		Grease Fitting	1
N	8950280020	Gasket Kit	
14		Gasket	1
23		Screw	4
24		Gasket	1
O	8940169810	Tune Up Kit (Included : 2, 4, 6, 12, 18, 19, 20, 25, 26, 29, 33)	



8940169372	Operator's Manual
8950900061	Warning Label
6159948710	Safety Instructions

Recommended Accessories

Oil for motor lubrication	
	CA149661 (4 oz - 0.12 l)
	CA000046 (20,8 oz. - 0, 59 l)
	P089507 (1 gal - 3.8 l)

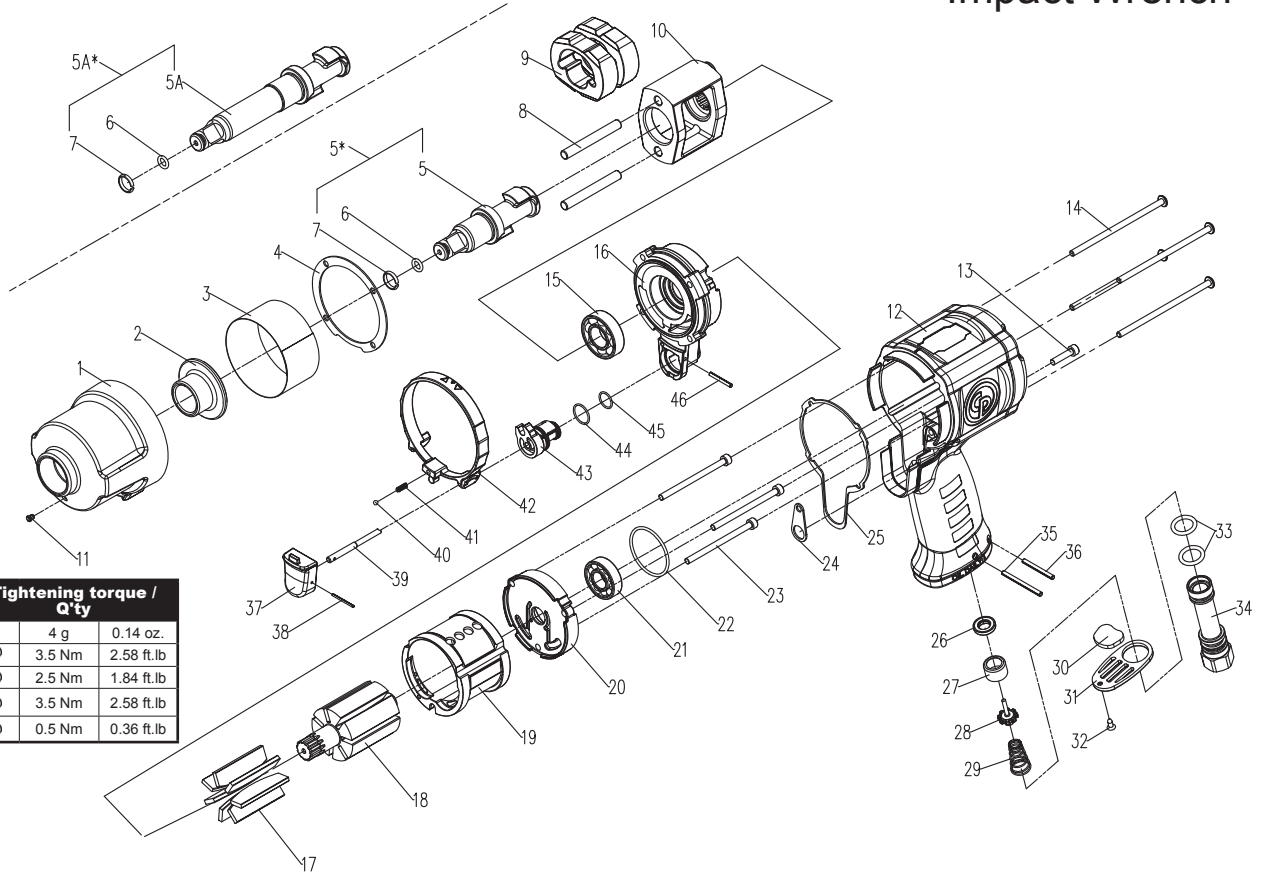


**Chicago
Pneumatic**

CP7748 & CP7748-2

Model G

Impact Wrench



Item	Glue / grease	Tightening torque / Q'ty
10	Clutch grease	4 g 0.14 oz.
13		3.5 Nm 2.58 ft.lb
14	Loctite 222	2.5 Nm 1.84 ft.lb
23		3.5 Nm 2.58 ft.lb
32	/	0.5 Nm 0.36 ft.lb

Item No.	Part No.	Description	Q'ty
5	2050521363	Anvil Unit (5*)	1
5A	2050526443	Anvil Long (5A*)	1
8	2050521123	Hammer Frame Pin (Set Of 2)	1
9	2050521133	Hammer (Set Of 2)	1
10	8940176003	Hammer Frame	1
17	8940176019	Blades (Set of 7)	1
18	8940176007	Rotor	1
19	8940176008	Cylinder	1
A	8940171601	Socket Retainer Kit (Set Of 5)	
6		O - Ring 5.8x1.9	1
7		Socket Retainer	1
B	8940176020	Gasket Kit	
4		Hammer Case Gasket	1
24		Packing-Front Bearing Plate	1
25		Front Bearing Plate Gasket	1
C	8940176021	Clutch Housing Kit	
1		Hammer Case	1
2		Hammer Case Bushing	1
3		Steel Ring	1
4		Hammer Case Gasket	1
11		Hammer Case Grease Fitting	1
D	8940176022	Front End Plate Kit	
13		Hex.Soc.Hd.Bolt	1
15		Bearing 6002ZZ	1
16		Front End Plate	1
24		Packing-Front Bearing Plate	1
25		Front Bearing Plate Gasket	1
46		Spring Pin	1
E	8940176023	Rear End Plate Kit	
20		Rear End Plate	1
21		Bearing 6001	1
22		O-Ring 33.05x1.78	1
23		Hex.Soc.Hd.Bolt	3
F	8940176024	Throttle Valve Kit	
26		Seal	1
27		Bushing	1
28		Tip Valve	1
29		Spring	1

Item No.	Part No.	Description	Q'ty
G	8940176052	Exhaust Deflector Kit	
30			
31			
32		Tap Bolt	
H	8940176025	Inlet Kit	
33		O-Ring 12.6x2.5	2
34		Air Inlet	1
35		Spring Pin 36x3	1
36		Spring Pin 28x3	1
I	8940176026	Trigger Kit	
37		Trigger	1
38		Spring Pin 20x1.5	1
39		Trigger Tip	1
J	8940176027	Reverse Ring Kit	
40		Steel Ball Diam. 3	1
41		Positioning Spring	1
42		Reverse Ring	1
K	8940176028	Reverse Valve Kit	
43		Reverse Valve	1
44		O-Ring 13x1	1
45		O-Ring 8x1	1
46		Spring Pin 20x2.5	1
L	8940176029	Housing Kit	
		Included 12, 26, 27, 28, 29, 30, 31, 32, 33(x2), 34, 35 & 36	
M	8940176030	Screw Kit	
		Included 13, 14(x4) & 23(x3)	
N	8940176031	Tune Up Kit	
		Included 17, 22, 26, 30, 33(x2), 44 & 45	
O	8940176032	Small Parts Kit	
		Included 11, 32, 35, 36, 38, 40, 41 & 46	

	8950900061	Warning Label
--	------------	---------------

Recommended Accessories

Oil for motor lubrication

CA149661 (4 oz - 0.12 l)
CA000046 (20,8 oz. - 0, 59 l)
P089507 (1 gal - 3.8 l)

Protective Cover

8940175618

