



Chicago Pneumatic

MANUAL

Printed Matter No. 8940175527

Date: 2018-09 Issue No. 01

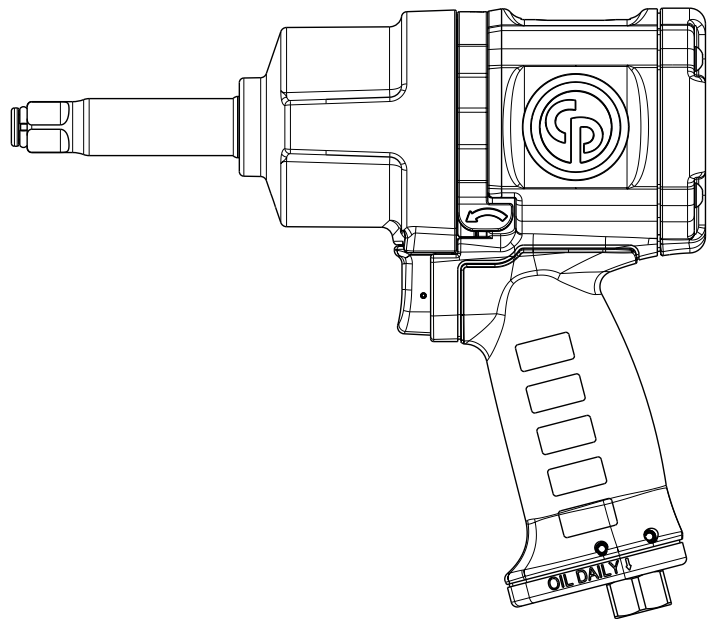
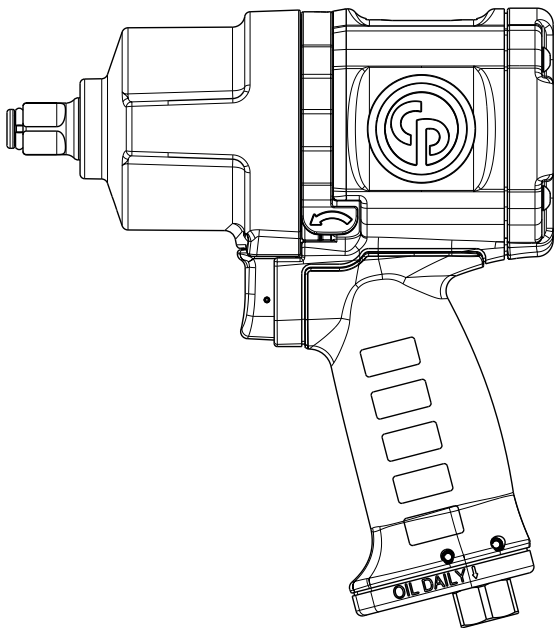
Impact Wrench

Valid from Serial No. G00001 - G99999

Model:

CP7748

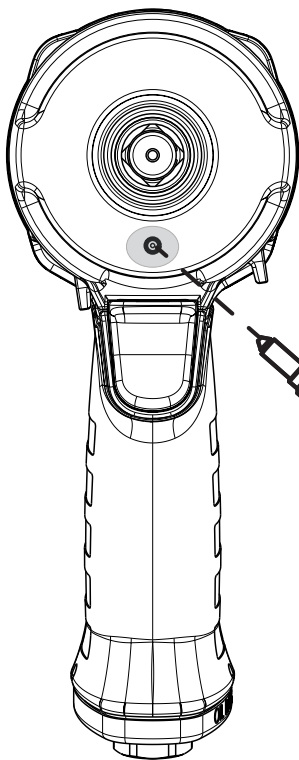
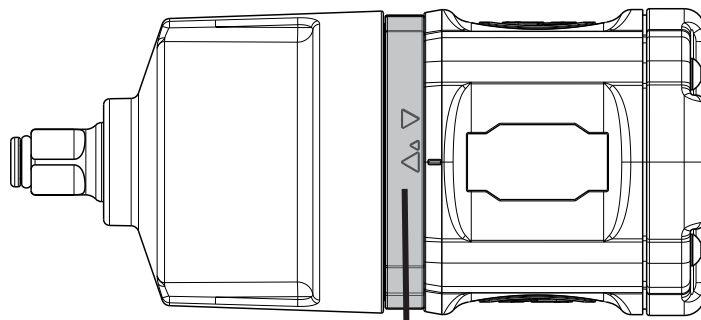
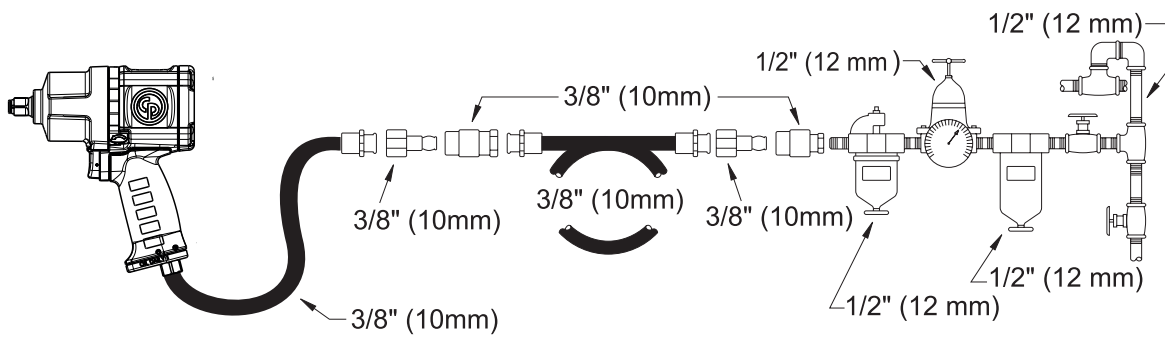
CP7748-2



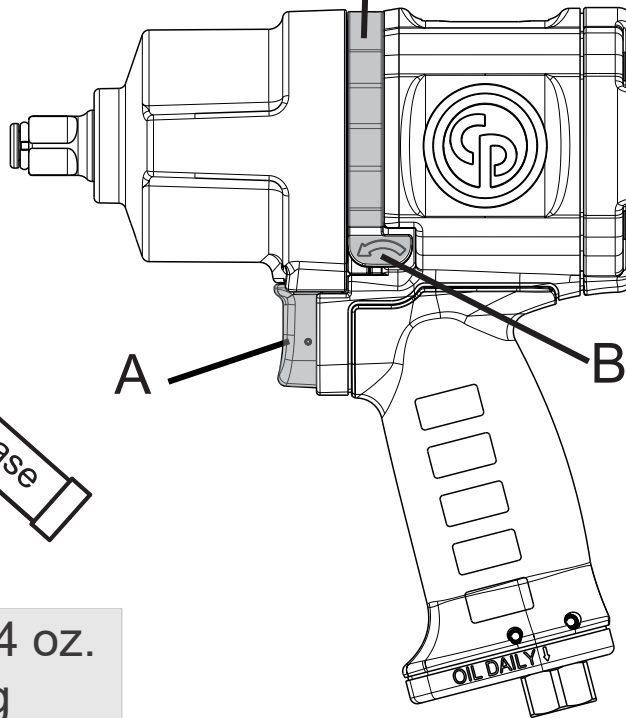
WARNING

To reduce risk of injury, everyone using, installing, repairing, maintaining, changing accessories on, or working near this tool **MUST** read and understand safety instructions (P/N : 6159948710) before performing any such task.

DO NOT DISCARD - GIVE TO USER

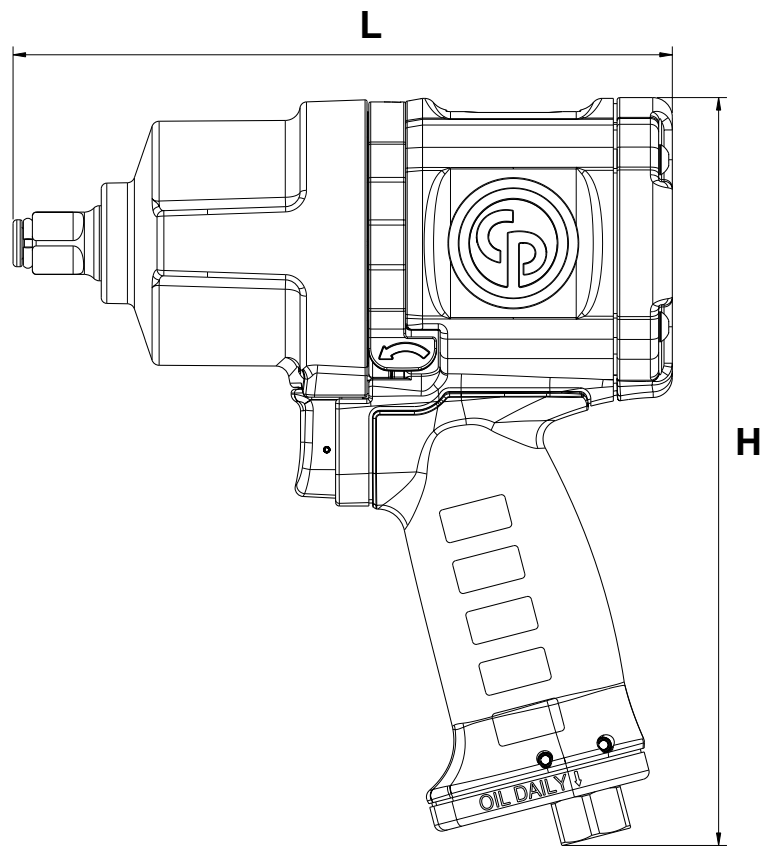
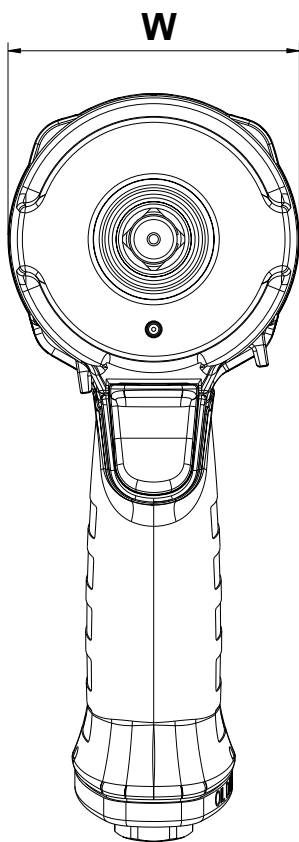


0.14 oz.
4 g



Impact Wrenches

	CP7748	CP7748-2
Square drive (")	1/2	1/2
Max. torque (reverse) (ft.lb)	960	960
Max. torque (reverse) (Nm)	1300	1300
Min. working torque (forward) (ft.lb)	70	70
Max. working torque (forward) (ft.lb)	555	555
Min. working torque (forward) (Nm)	95	95
Max. working torque (forward) (Nm)	750	750
Free speed (rpm)	7000	7000
Weight (lb)	4.4	4.65
Weight (kg)	2	2.11
Average air consumption (cfm)	6.2	6.2
Average air consumption (l/s) Min.	3	3
hose size (")	3/8	3/8
Min. hose size (mm)	10	10
Air inlet thread size (")	1/4	1/4
W Width (")	3	3
W Width (mm)	78	78
L Length (")	6.89	8.86
L Length (mm)	175	225
H Height (")	7.87	7.87
H Height (mm)	200	200



Impact Wrenches

Technical data

	CP7748	CP7748-2
Min. working torque forward (ft.lb)	70	70
Max. working torque forward (ft.lb)	555	555
Min. working torque (Nm)	95	95
Max. working torque (Nm)	750	750
Max. torque (reverse) (ft.lb)	960	960
Max. torque (reverse) (Nm)	1300	1300
Free speed (rpm)	7000	7000
Weight (lb)	4.4	4.65
Weight (kg)	2	2.11

Declarations

EU DECLARATION OF CONFORMITY

We, CHICAGO PNEUMATIC Tool Co. LLC, declare under our sole re-sponsibility that the product (with name, type and serial number, see front page) is in conformity with the following Directive(s):
2006/42/EC (17/05/2006)

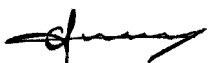
Harmonized standards applied:
EN ISO 11148-6:2012

Authorities can request relevant technical information from:
Pascal Roussy, R&D Manager, Ets Georges Renault.

Saint-Herblain,

Pascal ROUSSY

Signature of issuer



Noise and vibration

	CP7748	CP7748-2
Sound pressure level (dB(A))	94.3	94.3
Vibration uncertainty	4.5	3.8
Vibration (m/s ²)	12	11.3

Uncertainty 3 dB(A), in accordance with ISO 15744. For Sound power level, add 11 dB(A)

Vibration standard : ISO 28927-2

These declared values were obtained by laboratory type testing in accordance with the stated standards and are suitable for comparison with the declared values of other tools tested in accordance with the same standards. These declared values are not adequate for use in risk assessments and values

measured in individual work places may be higher. The actual exposure values and risk of harm experienced by an individual user are unique and depend upon the way the user works, the workpiece and the workstation design, as well upon the exposure time and the physical condition of the user.

We, CHICAGO PNEUMATIC Tool Co. LLC, cannot be held liable for the consequences of using the declared values, instead of values reflecting the actual exposure, in an individual risk assessment in a work place situation over which we have no control.

This tool may cause hand-arm vibration syndrome if its use is not adequately managed.

We recommend a programme of health surveillance to detect early symptoms which may relate to noise or vibration exposure, so that management procedures can be modified to help prevent future impairment.

i If this equipment is intended for fixtured applications: The noise emission is given as a guide to the machine-builder. Noise and vibration emission data for the complete machine should be given in the instruction manual for the machine.

Product specific instructions

Operation

See figures on page 2.

- Fix the accessories properly to the tool.
- Connect device to a clean and dry air supply.
- To start the machine, use the trigger (A). Machine speed is increase by increasing pressure on the trigger. Release the trigger to stop.
- To switch rotation, use the switch (B / C). Use the reverse switch (B / C) only when the drive spindle comes to a complete stop. Changing the speed before the drive spindle stops may damage the machine.
- To adjust output power, use the regulator (B / C).

Clutch lubrication

Use 0.14 oz. (4 g) of CP Pneu-Lube Synthetic Clutch grease.

Lubrication

Use an air line lubricator with SAE #10 oil, adjusted to two (2) drops per minute. If an air line lubricator cannot be used, add air motor oil to the inlet once a day.

Maintenance instructions

- **Follow local country environmental regulations for safe handling and disposal of all components.**

- Maintenance and repair work must be carried out by qualified personnel using only original spare parts. Contact the manufacturer or your nearest authorised dealer for advice on technical service or if you require spare parts.
- Always ensure that the machine is disconnected from energy source to avoid accidental operation.
- Disassemble and inspect the tool every three 3 months if the tool is used every day. Replace damaged or worn parts.
- To keep downtime to a minimum, the following service kit is recommended : **Tune-up kit**

Disposal

- The disposal of this equipment must follow the legislation of the respective country.
- All damaged, badly worn or improperly functioning devices **MUST BE TAKEN OUT OF OPERATION.**
- The disposal of this equipment must follow the legislation of the respective country.
- Repair only by technical maintenance staff.