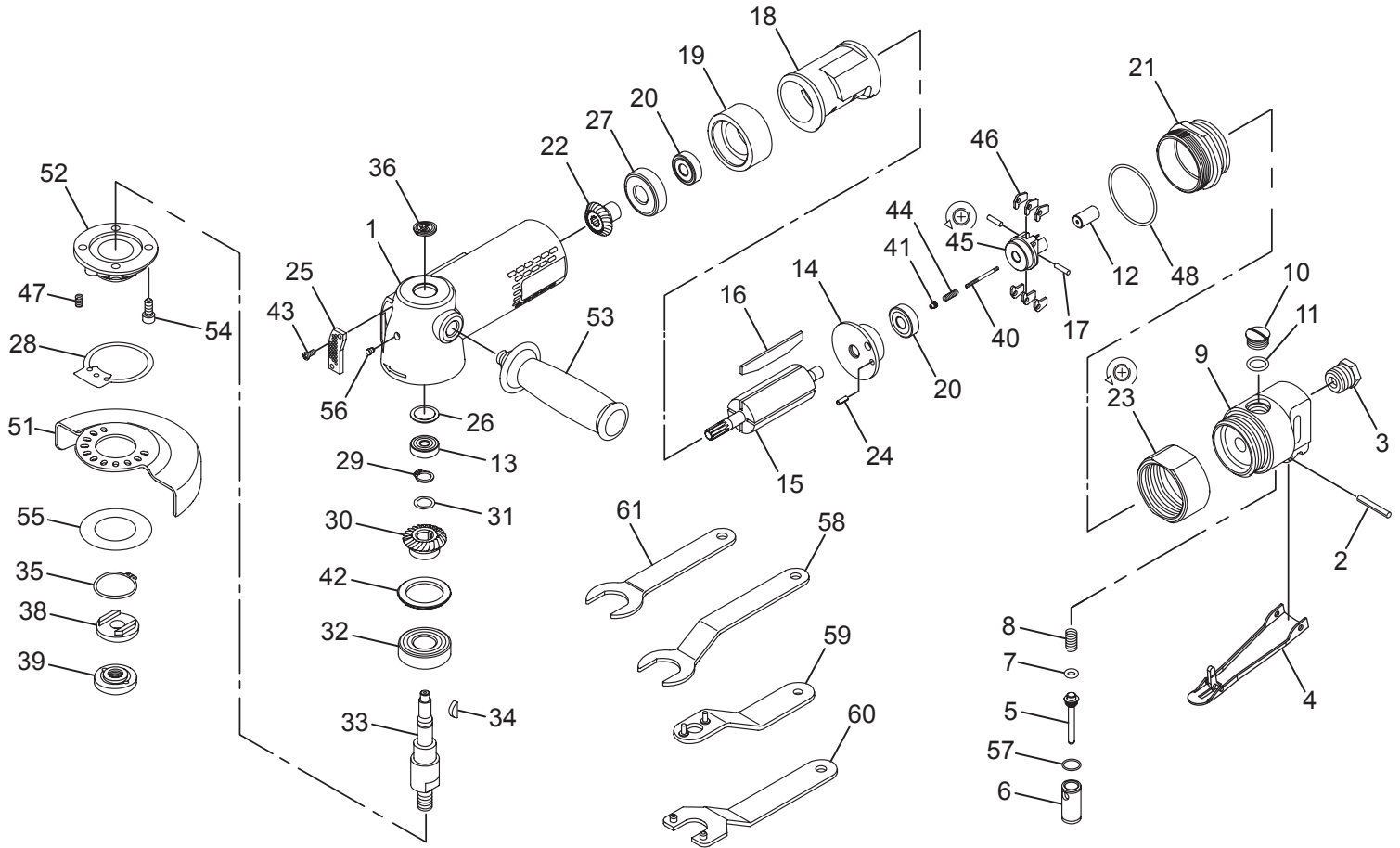




Chicago Pneumatic

CP9120, CP9121 & CP9122 Series 4", 5" & 4-1/2" Angle Grinders



| Item No. | Parts No. | Description | Qty |
|----------|------------|--|-----|
| 1 | 2050533803 | Motor Housing | 1 |
| 2 | 2050484613 | Spring Pin (4x28) | 1 |
| 3 | 2050484083 | Air Inlet | 1 |
| 4 | 2050484623 | Throttle Lever | 1 |
| 5 | 2050484633 | Valve Shaft | 1 |
| 6 | 2050484643 | Bushing | 1 |
| 7 | 2050533813 | O-Ring (9, 8x1.9) | 1 |
| 8 | 2050484663 | Valve Spring | 1 |
| 9 | 2050533823 | Throttle Valve Housing | 1 |
| 10 | 2050533833 | Throttle Lever Plug | 1 |
| 11 | 2050485153 | O-Ring (9, 8x1.9) | 1 |
| 12 | 2050484693 | Plunger | 1 |
| 13 | 2050486913 | Ball Bearing (626zz) | 1 |
| 14 | 2050484703 | Rear End Plate | 1 |
| 15 | 2050484713 | Rotor | 1 |
| 16 | 2050484723 | Blade Set (x4 pcs) | 1 |
| 17 | 2050487003 | Spring Pin (3x12) | 2 |
| 18 | 2050484733 | Cylinder | 1 |
| 19 | 2050484743 | Front End Plate | 1 |
| 20 | 2050486823 | Ball Bearing (608zz) | 2 |
| 21 | 2050533843 | Lock Nut | 1 |
| 22 | 2050484763 | Bevel Gear | 1 |
| 23 | 2050533853 | Coupling Nut | 1 |
| 24 | 2050487013 | Spring Pin (3x8) | 1 |
| 25 | 2050484783 | Deflector | 1 |
| 26 | 2050484793 | Spacer | 1 |
| 27 | 2050486953 | Ball Bearing (6201zz) | 1 |
| 28 | 2050533863 | Lock Ring | 1 |
| 29 | 2050484573 | Retainer Ring (STW-10) | 1 |
| 30 | 2050533873 | Bevel Gear | 1 |
| 31 | 2050484823 | Wave Washer | 1 |
| 32 | 2050486883 | Ball Bearing | 1 |
| 33 | 2050533883 | Spindle (3/8"-24) for CP9120CR, CP9121CR, CP9122CR | 1 |
| | 2050533893 | Spindle M14 x 2 for CP9121AR | 1 |
| | 2050535053 | Spindle (5/8"-11) for CP9121BR & CP9122BR | 1 |
| 34 | 2050484843 | Key | 1 |
| 35 | 2050533903 | Retainer Ring (STW-27) | 1 |
| 36 | 2050533913 | CP Logo Ring (15mm) | 1 |
| 38 | 6155031630 | Flange (3/18"-24) for CP9120CR | 1 |
| | 6155031590 | Flange (M14*2) for CP9121AR | 1 |
| | 2050533943 | Flange (3/8"-24 UNF) for CP9121CR & CP9122CR | 1 |
| | 6155031600 | Flange (5/8"-11) for CP9121BR & CP9122BR | 1 |

| Item No. | Parts No. | Description | Qty |
|----------|------------|---|-----|
| 39 | 6156060430 | Flange Nut (3/8"-24) for CP9120CR | 1 |
| | 6155020770 | Flange Nut (M14x2) for CP9121AR | 1 |
| | 2050533973 | Flange Nut (3/8"-24) for CP9121CR & CP9122CR | 1 |
| | 6155020780 | Flange Nut (5/8"-11) for CP9121BR & CP9122BR | 1 |
| 40 | 2050484903 | Adjust Screw | 1 |
| 41 | 2050484913 | Adjust Nut | 1 |
| 42 | 2050533983 | Spacer | 1 |
| 43 | 2050484193 | Screw (TS2.9) | 2 |
| 44 | 2050484933 | Spring Pin | 1 |
| 45 | 2050484943 | Governor | 1 |
| 46 | 2050484953 | Pendulum | 6 |
| 47 | 2050533993 | Spring | 1 |
| 48 | 2050484963 | O-Ring (37, 8x1, 78) | 1 |
| 51 | 2050534003 | 4" Disc Guard for CP9120 Series | 1 |
| | 2050534013 | 4 1/2" Disc Guard for CP9122 Series | 1 |
| | 2050534023 | 5" Disc Guard for CP9121 Series | 1 |
| 52 | 2050534053 | Bearing Cap | 1 |
| 53 | 2050524063 | Side Handle | 1 |
| 54 | 2050534063 | Screw (M5x12) | 4 |
| 55 | 2050534073 | Spacer | 1 |
| 56 | 2050534083 | Oil Cap | 1 |
| 57 | 2050484483 | O-Ring (10, 5x1) | 1 |
| 58 | 2050534043 | Spanner (24 mm) | 1 |
| 59 | 2050485003 | Pin Wrench for CP9120CR | 1 |
| 60 | 2050486673 | Pin Wrench for CP9121 & CP9122 Series | 1 |
| 61 | 2050534033 | Spanner (21 mm) | 1 |
| | 2050504823 | Tune-up Kit (Incl: Index No. 7, 8, 11, 16, 20) | |
| | 2050504833 | Bevel Gear Kit (Incl: Index No. 13, 22, 24, 27, 29, 30, 31, 32, 34) | |

| | | |
|--|------------|---------------------|
| | 8940167754 | Operator's Manual |
| | 6158727980 | Warning Labels |
| | 6158726900 | |
| | 6158727560 | |
| | 6159948760 | Safety Instructions |

Check out the collection of pneumatic grinders we offer.