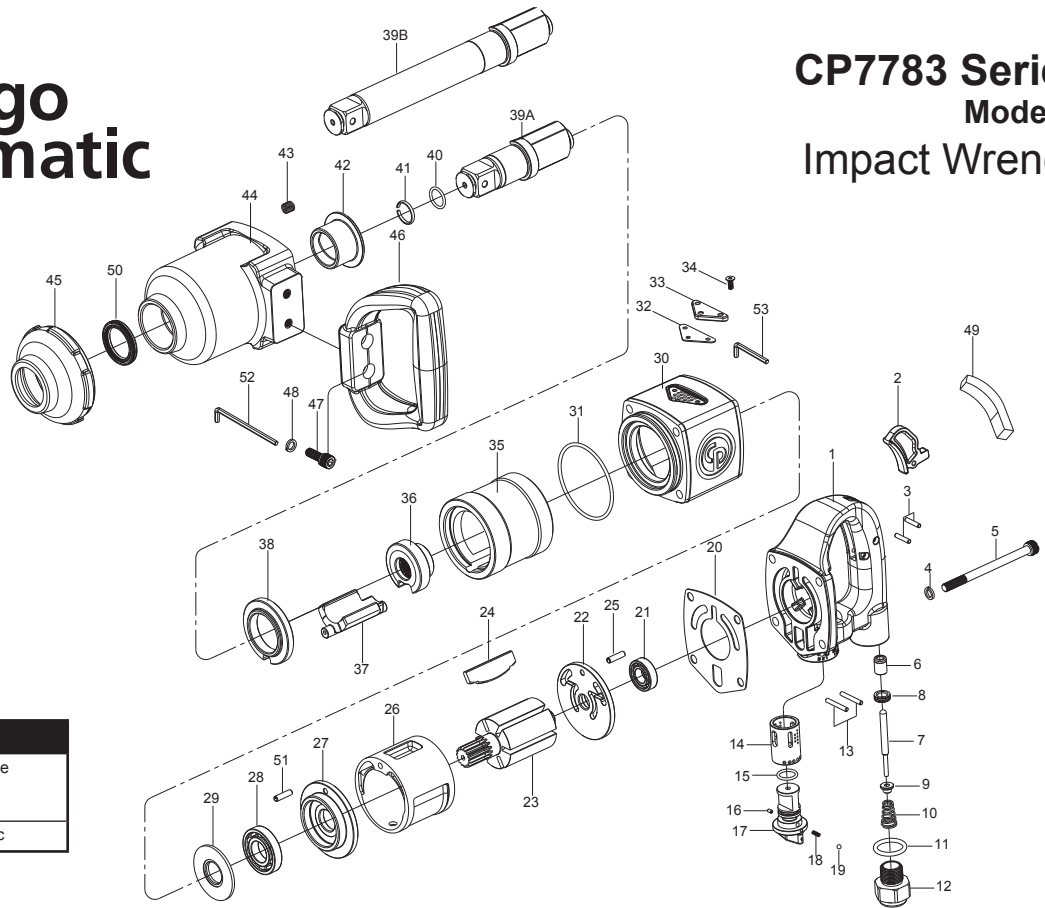




Chicago Pneumatic

CP7783 Series Model C Impact Wrench



Assembly instructions		
Item	Tightening torque	Loctite
5 & 47	19.6 Nm	0.1 cc

Recommended accessories



Pneu-lube Clutch Grease
(for clutch lubrication)
8940158455 (3.5 oz. - 100g)
8940158456 (14 oz. - 400g)



Protecto-lube Oil
(to clean motor parts)
CA149661 (4 oz - 0.12 l)
CA000046 (20 oz - 0.59 l)



Airoilene Oil
(for air lubrication)
P089507 (1 gal - 3.8 l)

Item No.	Part No.	Description	Q'ty
23	8940173889	Rotor	1
26	8940173892	Cylinder	1
35	8940173901	Hammer cage	1
36	8940173902	Cam	1
37	8940173903	Hammer	1
38	8940173904	Anvil Spacer	1
45	8940173910	Clutch Housing Bumper	1
A	8940173917	Side Handle Kit	
46		Handle	1
47		Screw	2
48		Washer	2
B	8940173918	Anvil Kit	
39A		1" Anvil	1
40		O-ring	1
41		Anvil Collar	1
C	8940173919	Anvil Kit Extended	
39B		6" Anvil	1
40		O-ring	1
41		Anvil Collar	1
D	8950251282	Anvil collar Kit (Set of 5)	
40		O-ring	5
41		Anvil Collar	5
E	8940173921	Hammer case Complete	
42		Anvil Bushing	1
43		Insert Recoil	4
44		Hammer case	1
50		Oil Seal	1
F	8940173922	Motor Housing Complete	
30		Motor Housing	1
31		O-ring	1
G	8940173923	Bearing Kit	
21		Bearing	1
28		Bearing	1
H	8940173924	Front end plate Kit	
27		End Plate	1
28		Bearing	1
29		Washer	1
51		Pin	1
I	8940173925	Rear end plate Kit	
21		Bearing	1
22		End Plate	1
25		Spring Pin	1

Item No.	Part No.	Description	Q'ty
J	8940173926	Exhaust Kit	
32		Gasket	1
33		Exhaust Deflector	1
34		screw	3
K	8940173927	Tune up Kit	
4		Washer	4
20		Gasket	1
24	8940173890	Rotor blade (set of 6)	1
31		O-ring	1
43		Insert Recoil	4
L	8940173928	Trigger Kit	
2		Inside Trigger	1
3		Spring Pin	2
49		Rubber cap (for inside trigger)	1
M	8940173929	Rear Handle Frame Kit	
1		Backhead Assembly	1
4		Washer	4
5		Screw	4
6		Bushing	1
14		Reverse Valve Bushing	1
20		Gasket	1
49		Rubber cap (for inside trigger)	1
N	8940173930	Throttle valve Kit	
7		Throttle Valve Plunger	1
8	8940175158	Throttle valve Seat	1
9		Throttle Valve	1
10		Spring	1
11		O-ring	1
O	8940173931	Reverse valve Kit	
13		Spring Pin	2
15	8950030034	O-ring	1
16		Spring Pin	1
18	8940175159	Spring	1
19	8950000008	Steel ball	1
P	8940173920	Air Inlet Kit	
11		O-ring	1
12		Air Inlet	1



8940174566	Operator's Manual
8940175160	Warning label
6159948710	Safety Instructions

Spare parts without part number are not sold separately

Check out the collection of air impact wrenches we offer.