
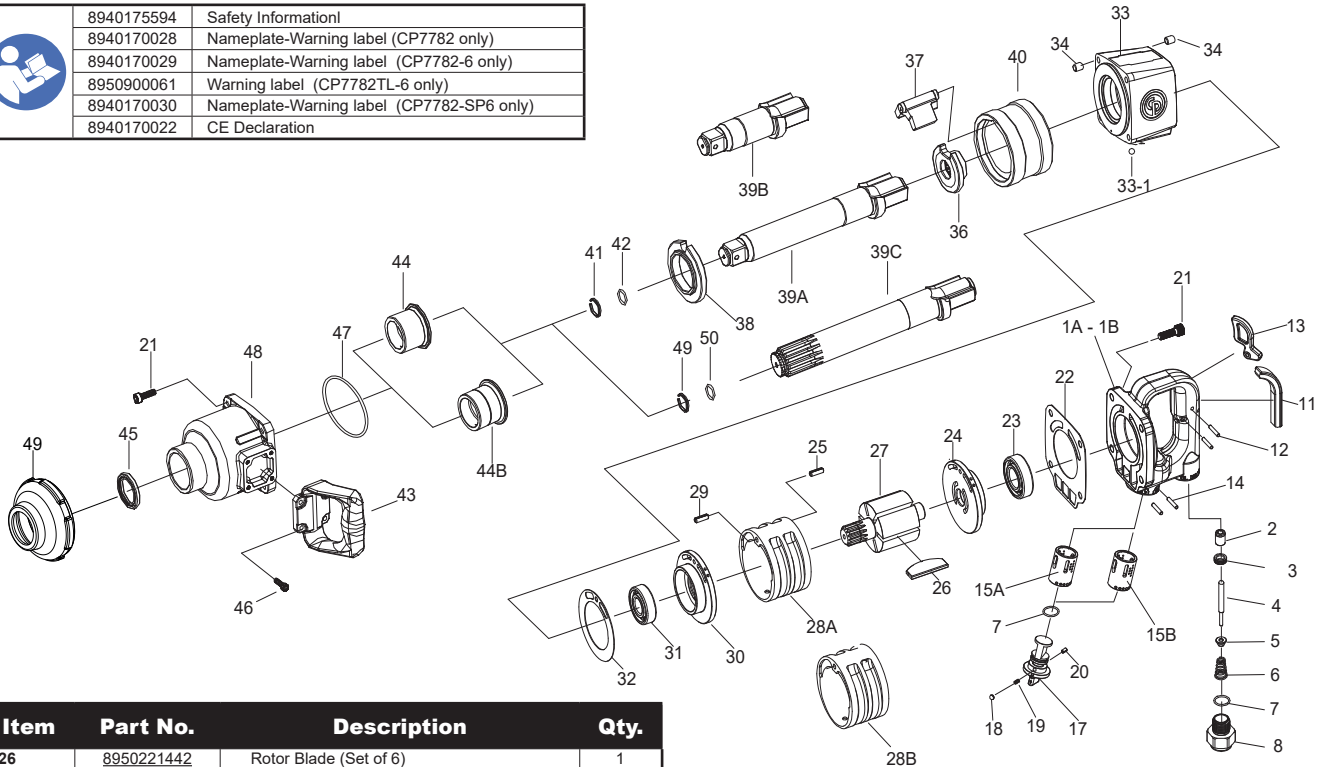


| | | |
|-----------------------------------------------------------------------------------|------------|-------------------------------------------|
|  | 8940175594 | Safety Information |
| | 8940170028 | Nameplate-Warning label (CP7782 only) |
| | 8940170029 | Nameplate-Warning label (CP7782-6 only) |
| | 8950900061 | Warning label (CP7782TL-6 only) |
| | 8940170030 | Nameplate-Warning label (CP7782-SP6 only) |
| | 8940170022 | CE Declaration |



| Item | Part No. | Description | Qty. |
|------|------------|---------------------------------------------------------------------------------------------------------------------------------------------------|------|
| 26 | 8950221442 | Rotor Blade (Set of 6) | 1 |
| 26 | 8940175062 | Rotor Blade Composite (Set of 6) | 1 |
| 27 | 8950221116 | Rotor | 1 |
| 28A | 8950221117 | Cylinder | 1 |
| 28B | 8940175751 | Cylinder (CP7782TL-6 only) | 1 |
| 36 | 8940162187 | Cam | 1 |
| 37 | 8940162188 | Hammer | 1 |
| 38 | 8950240210 | Anvil Spacer | 1 |
| 40 | 8950240207 | Hammer Cage | 1 |
| 49 | 8940170031 | Clutch Housing Bumper | 1 |
| A1 | 8940169474 | Handle Frame Complete | |
| 01A | | Handle Frame | 1 |
| 02 | | Valve Bushing | 1 |
| 03 | | Valve Seat | 1 |
| 04 | | Valve Stem | 1 |
| 05 | | Valve | 1 |
| 06 | | Spring | 1 |
| 07 | | O-Ring | 2 |
| 08 | | Air Inlet | 1 |
| 11 | | Protection Rubber | 1 |
| 12 | | Pin | 2 |
| 13 | | Throttle Lever | 1 |
| 14 | | Spring Pin | 2 |
| 15A | | Reverse Bushing | 1 |
| 17 | | Reverse Valve | 1 |
| 18 | | Steel Ball | 1 |
| 19 | | Spring | 1 |
| 20 | | Spring Pin | 1 |
| 21 | | Screw | 4 |
| 22 | | Gasket | 1 |
| A2 | 8940175752 | Handle Frame Complete (CP7782TL-6 only) Include (01B, 02, 03, 04, 05, 06, 07(x2), 08, 11, 12(x2), 13, 14(x2), 15B, 17, 18, 19, 20, 21(x4), 22) | |
| B | 8950212146 | Valve Kit Include 02, 03, 04, 05, 06, 07 & 08 | |
| C1 | 8940169475 | Reverse Valve Kit Include 07, 14 (x2), 15A, 17, 18, 19 & 20 | |
| C2 | 8940175753 | Reverse Valve Kit (CP7782TL-6 only) Include 07, 14 (x2), 15B, 17, 18, 19 & 20 | |
| D | 8950212148 | Trigger Kit Include 11, 12(x2) & 13 | |
| E | 8950221443 | End Plate Kit | |
| 23 | | Ball Bearing | 1 |
| 24 | | End Plate | 1 |
| 25 | | Spring Pin | 1 |
| F | 8950000141 | Bearing Kit | |
| 23 | | Ball Bearing | 1 |
| 31 | | Ball Bearing | 1 |
| G | 8950221446 | Front End Plate Kit | |
| 29 | | Spring Pin | 1 |
| 30 | | End Plate | 1 |
| 31 | | Ball Bearing | 1 |
| 32 | | Gasket | 1 |

| Item | Part No. | Description | Qty. |
|------|------------|-------------------------------------------------------------|------|
| H | 8940169476 | Motor Housing Complete | |
| 33 | | Motor Housing | 1 |
| 33-1 | | Steel Ball | 4 |
| 34 | | Insert Recoil | 8 |
| 47 | | O-Ring | 1 |
| I | 8950240466 | Anvil Kit | |
| 39B | | Anvil 1" | 1 |
| 41 | | Anvil Collar 1" | 1 |
| 42 | | O-Ring | 1 |
| J | 8950240467 | Anvil Kit Extended | |
| 39A | | Anvil 1" Extended | 1 |
| 41 | | Anvil Collar 1" | 1 |
| 42 | | O-Ring | 1 |
| K | 8940169477 | Anvil Kit Spline | |
| 39C | | Anvil 1" Spline | 1 |
| 49 | | Anvil Spline Collar 1" | 1 |
| 50 | | O-Ring | 1 |
| L | 8950251282 | Anvil Collar Kit (Set of 5) | |
| 41 | | Anvil Collar 1" | 5 |
| 42 | | O-Ring | 5 |
| M | 8940169483 | Anvil Spline Collar Kit (Set of 5) | |
| 49 | | Anvil Spline Collar 1" | 5 |
| 50 | | O-Ring | 5 |
| N | 8940169478 | Hammer Case Complete (CP7782, CP7782-6, CP7782TL-6) | |
| 21 | | Screw | 4 |
| 44 | | Anvil Bushing | 1 |
| 45 | | Seal | 1 |
| 48 | | Hammer Case | 1 |
| O | 8940171496 | Hammer Case Complete (CP7782-SP6) | |
| 21 | | Screw | 4 |
| 44B | 8940171412 | Anvil Bushing | 1 |
| 45 | | Seal | 1 |
| 48 | | Hammer Case | 1 |
| P | 8950280027 | Gasket Kit | |
| 22 | | Gasket | 1 |
| 32 | | Gasket | 1 |
| 45 | | Seal | 1 |
| Q | 8940169845 | Handle Complete | |
| 43 | | Handle | 1 |
| 46 | | Screw | 4 |
| SP | 8950280029 | Small Parts Kit Include 12(x2), 19, 20, 25, 29 & 44 | |
| TK | 8940169847 | Tune Up Kit Include 07 (x2), 14(x2), 18, 20, 22, 26 & 32 | |
| SK | 8940171591 | Screw Kit | |
| 21 | | Screw | 8 |
| 46 | | Screw | 4 |

Recommended Accessories


Protecto-lube Oil (for air lubrication)
CA149661 (4 oz - 0.12 l)
CA000046 (20 oz - 0.59 l)



Airoilene Oil (to clean motor parts)
P089507 (1 gal - 3.8 l)