

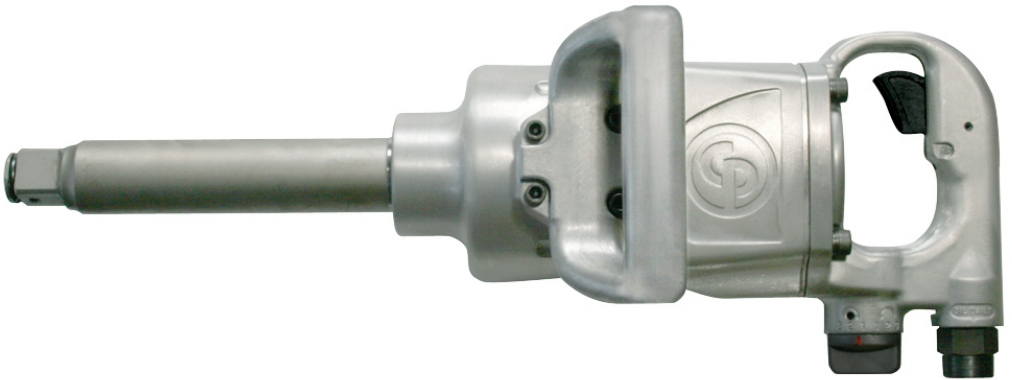
Operator's Manual



Chicago Pneumatic Tool Company

CP7778 Series Impact Wrench

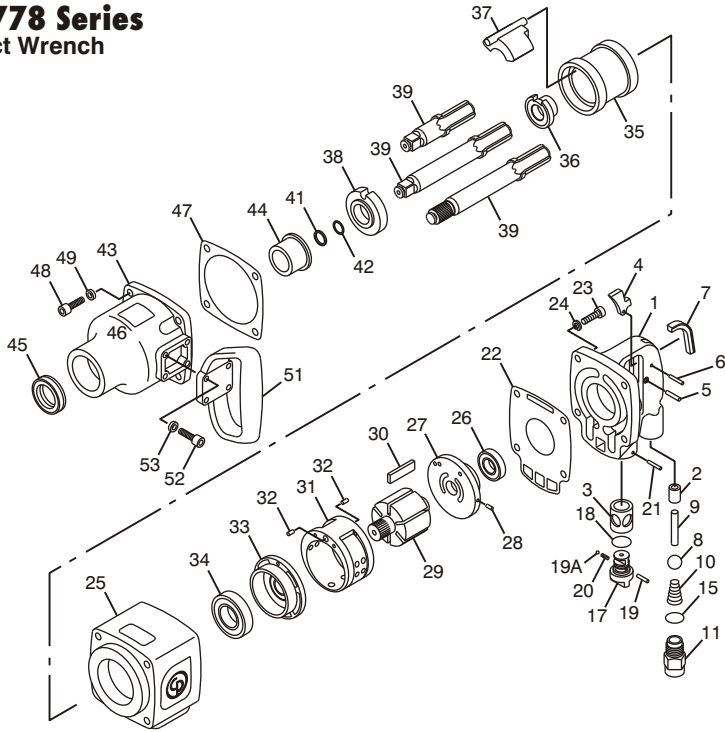
1" Square & #5 Spline Drive Model "K"



⚠ WARNING

To reduce risk of injury, everyone using, installing, repairing, maintaining, changing accessories on, or working near this tool must read and understand these instructions before performing any such task.

CP7778 Series Impact Wrench



Index No.	Part No.	Description	No. Req'd.	Index No.	Part No.	Description	No. Req'd.
1	8940162803	Throttle Handle Assembly (Incl: Index No. 2, 3)	1	34	8940162185	Bearing	1
2	8940162152	Bushing-Throttle	1	35	8940162186	Cage	1
3	8940162801	Bushing-Reverse Valve	1	36	8940162187	Cam	1
4	8940162809	Lever-Throttle	1	37	8940162188	Dog	1
5	8940162155	Pin-Throttle Lever	1	38	8940162189	Bushing-Cage	1
6	8940162156	Pin-Lever Stop	1	39	8940162190	Anvil (1in. Sq. Dr.) (Incl: Index Nos. 41, 42)	1
7	8940162810	Cover-Slot	1		8940162191	Anvil (1in. Sq. Dr. 6 in. Extension) (Incl: Index Nos. 41, 42)	1
8	8940162158	Valve-Throttle	1		8940162192	Anvil (#5 Spine 6 in. Extension) (Incl: Index Nos. 41, 42)	1
9	8940162811	Plunger-Throttle Valve	1	41	8940162193	Ring-Friction (1 in. Sq.)	1
10	8940162160	Spring-Throttle Valve	1		8940162194	Ring-Friction (#5 Spine)	1
11	8940162161	Inlet Bushing	1	42	8940162195	O-Ring (1 in. Sq.)	1
15	8940162165	O-Ring	1		8940162196	O-Ring (#5 Spine)	1
17	8940162812	Valve-Reverse	1	43	8940162197	Clutch Housing Assembly (Incl: Index Nos. 44, 45)	1
18	8940162167	O-Ring	1	44	8940162198	Bushing-Clutch Housing	1
19	8940162168	Pin	1	45	8940162199	Seal	1
19A	8940162169	Ball	1	46	CA155779	Decal-Safety Warning	1
20	8940162170	Spring	1	47	8940162200	Gasket-Clutch Housing	1
21	8940162171	Pin	1	48	8940162201	Screw	4
22	8940162172	Gasket-Handle	1	49	8940162202	Lock Washer	4
23	8940162173	Screw	4	51	8940162804	Handle-Support	1
24	8940162174	Lock Washer	4	52	8940162204	Screw	4
25	8940162802	Housing-Motor	1	53	8940162205	Lock Washer	1
26	8940162177	Bearing	1				
27	8940162178	Plate-Rear End	1				
28	8940162179	Pin	1				
29	8940162180	Rotor	1				
30	8940162181	Blade Set (6)	1				
31	8940162182	Liner	1				
32	8940162183	Pin	2				
33	8940162184	Plate-Front End	1				

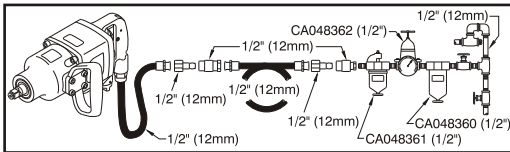
Tune-Up Kit
8940162816 (Incl: Index Nos. 15, 18, 22, 30, 41, 42, 45, 47)

Protective Boot
8940162416

INSTRUCTION MANUAL

Air Supply Requirements

1. Supply tool with 90 psig (6.2 bar) of clean, dry air. Higher pressure drastically reduces tool life.
2. Connect tool to air line using pipe, hose, and fitting sizes shown in the diagram.



Lubrication

1. Use an air line lubricator with SAE #10 oil, adjusted to two (2) drops per minute. If an air line lubricator cannot be used, add air motor oil to the inlet once a day.
2. Use 3 oz. (88 ml) of CP Pneu-Lube Synthetic Clutch Grease 8940158455.

Operation

1. The intended use of this impact wrench is with impact rated sockets operating upon threaded fasteners. To operate, pull trigger on handle. To operate in forward rotation, turn reverse valve toward forward arrow position. To operate in reverse, turn valve toward reverse arrow position.
2. This impact wrench is equipped with a regulator to enable adjustment of output power. Turn the regulator knob to # 3 for maximum power, to # 1 for minimum power.

Maintenance

1. After first year, disassemble and inspect air motor and impacting clutch every three (3) months if the tool is used every day. Replace damaged or worn parts.
2. High wear parts are underlined in the parts list.
3. To keep downtime to a minimum, the following service kits are recommended:

Tune-Up Kit 8940162816

(Incl: 15, 18, 22, 30, 41, 42, 45, 47)

Copyright 2006, Chicago Pneumatic Tool Company

All rights reserved. Any unauthorized use or copying of the contents or part thereof is prohibited. This applies in particular to trademarks, model denominations, part numbers and drawings. Use only authorized parts. Any damage or malfunction caused by the use of unauthorized parts is not covered by Warranty or Product Liability.



⚠ WARNING

To reduce risk of injury, everyone using, installing, repairing, maintaining, changing accessories on, or working near this tool must read and understand these instructions before performing any such task.

The goal of Chicago Pneumatic is to produce tools that help you work safely and efficiently. The most important safety device for this or any tool is YOU. Your care and good judgment are the best protection against injury. All possible hazards cannot be covered here, but we have tried to highlight some of the important ones.

Air Supply And Connection Hazards

- ⚠ Air under pressure can cause severe injury.
- ⚠ Always shut off air supply, drain hose of air pressure and disconnect tool from air supply when not in use, before changing accessories or when making repairs.
- ⚠ Never direct air at yourself or anyone else.
- ⚠ Whipping hoses can cause serious injury. Always check for damaged or loose hoses and fittings.
- ⚠ Do not use quick disconnect couplings at tool. See instructions for correct set-up.
- ⚠ Whenever universal twist couplings are used, lock pins must be installed.
- ⚠ Do not exceed maximum air pressure of 90 psi (6.2 bar) or as stated on tool nameplate.

Entanglement Hazards

- ⚠ Keep away from rotating drive.
- ⚠ Do not wear jewelry or loose clothing.
- ⚠ Choking can occur if neckwear is not kept away from tool and accessories.
- ⚠ Scalping can occur if hair is not kept away from tool and accessories.
- ⚠ Avoid direct contact with accessories during and after use. Gloves will reduce the risk of cuts or burns.
- ⚠ Use only proper accessory retainers (see parts list). Use deep sockets wherever possible.

Projectile Hazards

- ⚠ Always wear impact-resistant eye and face protection when involved with or near the operation, repair or maintenance of the tool or changing accessories on the tool.
- ⚠ Be sure all others in the area are wearing impact-resistant eye and face protection.
- ⚠ Even small projectiles can injure eyes and cause blindness.
- ⚠ Use only impact wrench sockets and accessories in good condition. Sockets in poor condition or hand sockets and accessories used with impact wrenches can shatter.
- ⚠ Always use the simplest hook-up possible. Long, springy extension bars and adapters absorb impact power and could break. Use deep sockets wherever possible.

- ⚠ Never operate the tool off of the work. It may run too fast and cause the accessory to be thrown off the tool.
- ⚠ Serious injury can result from over-torqued or under-torqued fasteners, which can break, or loosen and separate. Released assemblies can become projectiles. Assemblies requiring a specific torque must be checked using a torque meter.

Note: So-called "click" torque wrenches do not check for potentially dangerous over-torque conditions.

Workplace Hazards

- ⚠ Slip/Trip/Fall is a major cause of serious injury or death. Beware of excess hose left on the walking or work surface.
 - ⚠ High sound levels can cause permanent hearing loss. Use hearing protection as recommended by your employer or OSHA regulation (see 29 CFR part 1910).
 - ⚠ Maintain a balanced body position and secure footing.
 - ⚠ Be in control of the throttle at all times. Do not get caught between the tool and the work.
 - ⚠ Repetitive work motions, awkward positions and exposure to vibration can be harmful to hands and arms. If numbness, tingling, pain or whitening of the skin occurs, stop using the tool and consult a physician.
 - ⚠ Avoid inhaling dust or handling debris from the work process which can be harmful to your health. Use dust extraction and wear respiratory protective equipment when working with materials which produce airborne particles.
 - ⚠ Proceed with care in unfamiliar surroundings. Be aware of potential hazards created by your work activity. This tool is not insulated for coming into contact with electric power sources.
 - ⚠ Some dust created by power sanding, sawing, grinding, drilling and other construction activities contains chemicals known to the State of California to cause cancer and birth defects or other reproductive harm. Some examples of these chemicals are:
 - Lead from lead based paints
 - Crystalline silica bricks and cement and other masonry products
 - And Arsenic and chromium from chemically-treated rubber
- Your risk from these exposures varies, depending on how often you do this type of work. To reduce your exposure to these chemicals: work in a well ventilated area, and work with approved safety equipment, such as dust masks that are specially designed to filter out microscopic particles.

Additional Safety Topics

- ⚠ This tool and its accessories must not be modified.
- ⚠ This tool is not recommended for use in explosive atmospheres.
- ⚠ Operators and maintenance personnel must be physically able to handle the bulk, weight and power of the tool.
- ⚠ For professional use only.

SAFETY INSTRUCTIONS

Check out the collection of air impact wrenches we offer.