
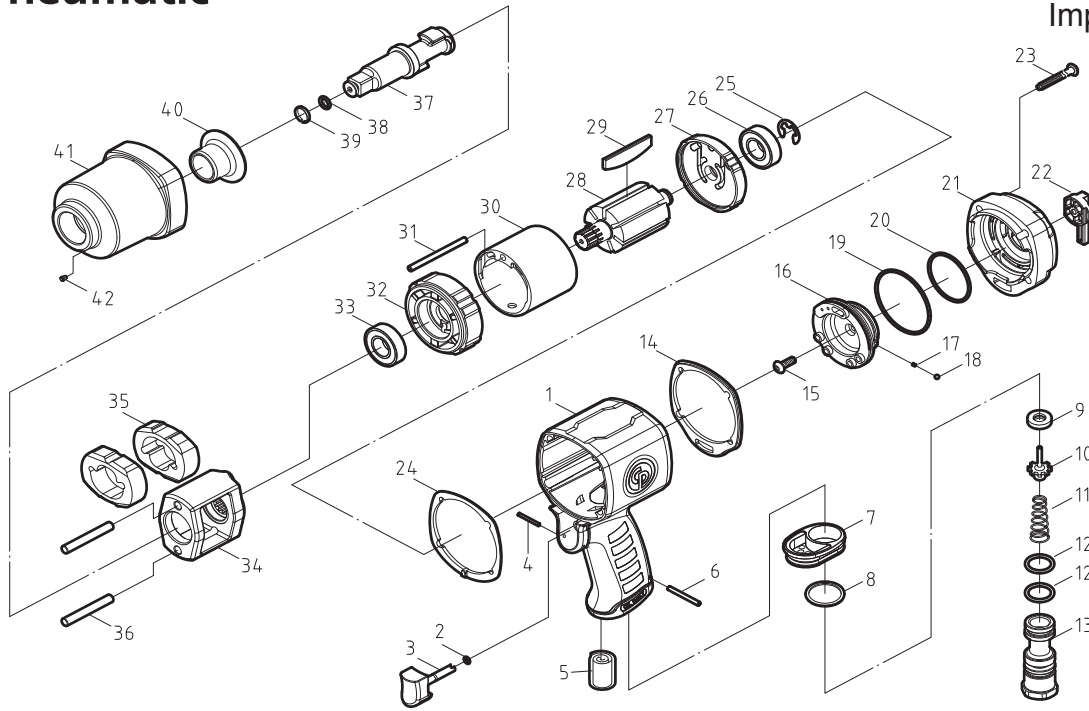


Spare parts without part number are not sold separately

Index No.	Part No.	Description	Qty.	Index No.	Part No.	Description	Qty.
31	8950240454	HAMMER CAGE	1	21	8950221423	END PLATE KIT	
32	8950240294	HAMMER	2			RETAINING RING	1
33	8950240456	PIN SET (2)	1	22		BALL BEARING	1
	8940169489	HOUSING KIT		23		END PLATE	1
1		HOUSING	1		8950221424	END PLATE KIT	
2		O-RING	1	28		END PLATE	1
3		TRIGGER	1	29		BALL BEARING	1
4		EXHAUST DEFLECTOR	1		8950240460	ANVIL KIT	
5		RETAINING RING	1	34		ANVIL 1/2"	1
6		WASHER	1	35		O-RING	1
7		VALVE SEAT	1	36		ANVIL COLLAR 1/2"	1
8		VALVE STEM	1		8940169492	ANVIL KIT EXTENDED	
9		SPRING	1	34		ANVIL 1/2" EXTENDED	1
10		O-RING	1	35		O-RING	1
11		WASHER	1	36		ANVIL COLLAR 1/2"	1
12		AIR INLET	1		8950251279	ANVIL COLLAR KIT (5)	
39 / 40		SPRING PIN	1	35		O-RING	5
43		MUFFLER	1	36		ANVIL COLLAR 1/2"	5
	8940169802	TRIGGER KIT			8940169493	HAMMER CASE KIT	
2		O-RING	1	30		GASKET	1
3		TRIGGER	1	37		ANVIL BUSHING	1
40		SPRING PIN	1	38		HAMMER CASE	1
	8950212133	INLET KIT		42		GREASE FITTING	1
4		EXHAUST DEFLECTOR	1		8950280019	SMALL PARTS KITS	
10		O-RING	1	10		WASHER	1
11		WASHER	1	14		SPRING	1
12		AIR INLET	1	27		SPRING PIN	1
39		SPRING PIN	1	37		ANVIL BUSHING	1
43		MUFFLER	1	43		MUFFLER	1
	8950212134	VALVE KIT		42		GREASE FITTING	1
5		RETAINING RING	1		8950280020	GASKET KIT	
6		WASHER	1	30		GASKET	1
7		VALVE SEAT	1	20		SCREW	4
8		VALVE STEM	1	18		GASKET	1
9		SPRING	1		8940169810	TUNE UP KIT	
	8940169490	REVERSE VALVE KIT		10		O-RING	1
13		REVERSE VALVE	1	5		RETAINING RING	1
14		SPRING	1	2		O-RING	1
15		STEEL BALL	1	15		STEEL BALL	1
16		O-RING	1	16		O-RING	1
17		O-RING	1	17		O-RING	1
	8940169491	COVER KIT		21		RETAINING RING	1
18		GASKET	1	25		ROTOR BLADE	7
19		HOUSING COVER	1	29		BALL BEARING	1
20		SCREW	4	22		BALL BEARING	1
	8950221422	MOTOR KIT		39		SPRING PIN	1
21		RETAINING RING	1	40		SPRING PIN	1
22		BALL BEARING	1				
23		END PLATE	1				
24	8950221418	ROTOR	1				
25	8950221419	ROTOR BLADE	7				
26	8950221420	CYLINDER	1				
27		SPRING PIN	1				
28		END PLATE	1				
29		BALL BEARING	1				


  

	8940169372	Operator's Manual
	8940169370	Nameplate-Warning Label (CP7748 only)
	8940169371	Nameplate-Warning Label (CP7748-2 only)
	8940169373	EC Declaration
	6159948710	Safety Instruction



Spare parts without part number are not sold separately

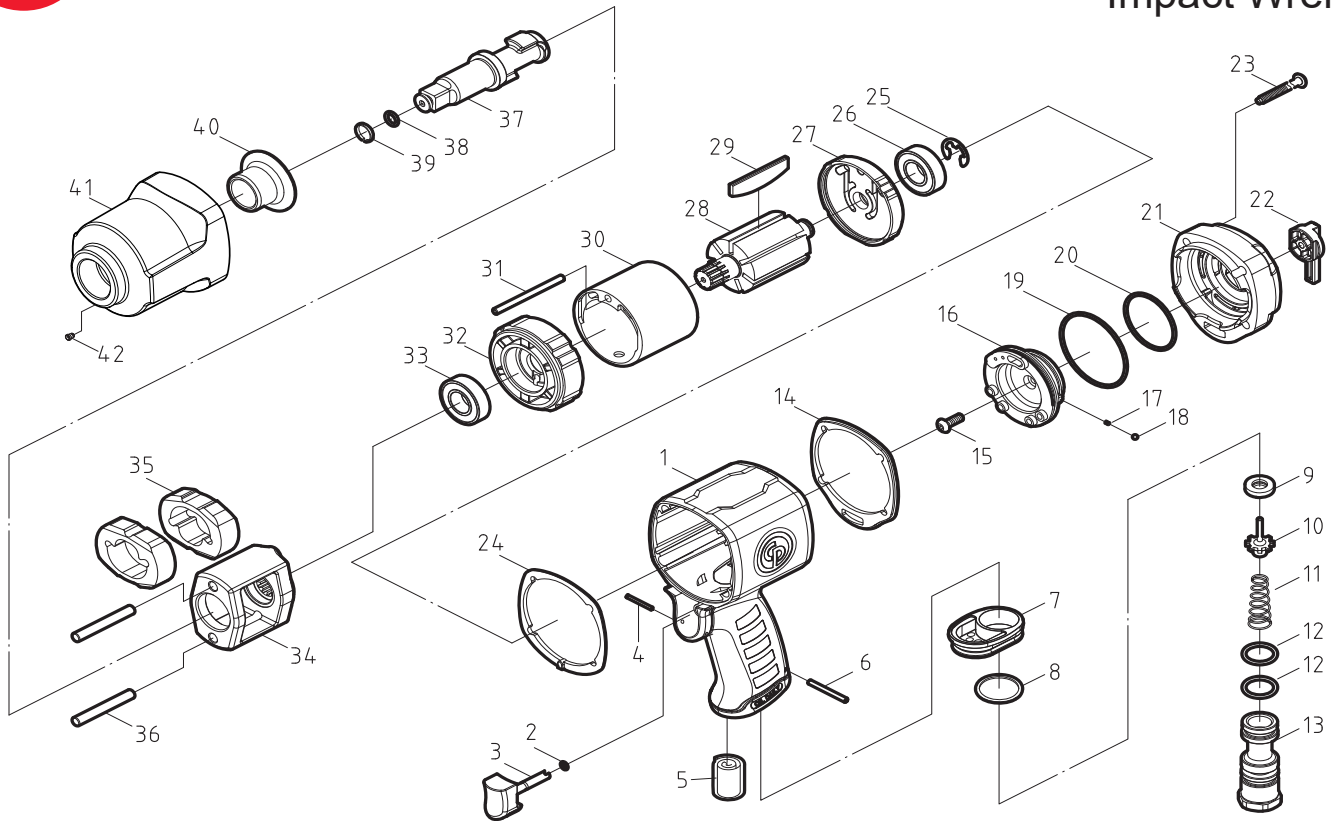
Index No.	Part No.	Description	Qty.	Index No.	Part No.	Description	Qty.
34	8950240454	HAMMER CAGE	1	32	8950221424	END PLATE KIT	1
35	8950240294	HAMMER	2	33		END PLATE	1
36	8950240456	PIN SET (2)	1			BALL BEARING	1
	8940169489	HOUSING KIT			8950240460	ANVIL KIT	
1		HOUSING	1	37		ANVIL 1/2"	1
2		O-RING	1	38		O-RING	1
3		TRIGGER	1	39		ANVIL COLLAR 1/2"	1
7		EXHAUST DEFLECTOR	1		8940169492	ANVIL KIT EXTENDED	
9		VALVE SEAT	1	37		ANVIL 1/2" EXTENDED	1
10		VALVE STEM	1	38		O-RING	1
11		SPRING	1	39		ANVIL COLLAR 1/2"	1
12		O-RING	2		8950251279	ANVIL COLLAR KIT (5)	
8		WASHER	1	38		O-RING	5
13		AIR INLET	1	39		ANVIL COLLAR 1/2"	5
6/4		SPRING PIN	2		8940169493	HAMMER CASE KIT	
5		MUFFLER	1	24		GASKET	1
	8940169802	TRIGGER KIT		40		ANVIL BUSHING	1
		O-RING	1	41		HAMMER CASE	1
		TRIGGER	1	42		GREASE FITTING	1
4		SPRING PIN	1		8950280019	SMALL PARTS KITS	
	8940171695	INLET KIT		8		WASHER	1
7		EXHAUST DEFLECTOR	1	17		SPRING	1
12		O-RING	2	31		SPRING PIN	1
8		WASHER	1	40		ANVIL BUSHING	1
13		AIR INLET	1	5		MUFFLER	1
6		SPRING PIN	1	42		GREASE FITTING	1
5		MUFFLER	1		8950280020	GASKET KIT	
	8940171696	VALVE KIT		14		GASKET	1
9		VALVE SEAT	1	23		SCREW	4
10		VALVE STEM	1	24		GASKET	1
11		SPRING	1		8940169810	TUNE UP KIT	
5		MUFFLER	1	2		O-RING	1
	8940171697	REVERSE VALVE REAR COVER KIT		12		O-RING	2
16		REVERSE VALVE	1	18		STEEL BALL	1
17		SPRING	1	19		O-RING	1
18		STEEL BALL	1	20		O-RING	1
19		O-RING	1	25		RETAINING RING	1
20		O-RING	1	29	8950221419	ROTOR BLADE(7)	1
15		SCREW	1	26		BALL BEARING	1
22		REVERSE LEVER	1	33		BALL BEARING	1
14		GASKET	1	6		SPRING PIN	1
21		HOUSING COVER	1	4		SPRING PIN	1
23		SCREW	4				
28	8950221418	ROTOR	1				
29	8950221419	ROTOR BLADE(7)	1				
30	8950221420	CYLINDER	1				
	8950221423	END PLATE KIT					
25		RETAINING RING	1				
26		BALL BEARING	1				
27		END PLATE	1				

	8940169372	Operator's Manual
	8950900061	WARNING LABEL
	6159948710	Safety Instruction



**Chicago  
Pneumatic**

**CP7748 Series  
Model E  
Impact Wrench**



Item No.	Part No.	Description	Q'ty
28	8950221418	Rotor	1
29	8950221419	Rotor Blade (Set of 7)	1
30	8950221420	Cylinder	1
34	8950240454	Hammer Cage	1
35	8950240455	Hammer	2
36	8950240456	Pin Set (x2)	1
<b>A</b>	<b>8940169489</b>	<b>Housing Kit</b>	
1		Housing	1
2		O-ring	1
3		Trigger	1
4		Spring Pin	1
5		Muffler	1
6		Threaded Pin M4xP0.7	1
7		Exhaust Deflector	1
8		Washer	1
9		Valve Seat	1
10		Valve Stem	1
11		Spring	1
12		O-ring	2
13		Air Inlet	1
<b>B</b>	<b>8940169802</b>	<b>Trigger Kit</b>	
2		O-ring	1
3		Trigger	1
4		Spring Pin	1
<b>C</b>	<b>8940171695</b>	<b>Inlet Kit</b>	
5		Muffler	1
6		Threaded Pin M4xP0.7	1
7		Exhaust Deflector	1
8		Washer	1
12		O-ring	2
13		Air Inlet	1
<b>D</b>	<b>8940171696</b>	<b>Valve Kit</b>	
5		Muffler	1
9		Valve Seat	1
10		Valve Stem	1
11		Spring	1
<b>E</b>	<b>8940171697</b>	<b>Reverse Valve Rear Cover Kit (Included : 14, 15, 16, 17, 18, 19, 20, 21, 22 &amp; 23(x4))</b>	
<b>F</b>	<b>8940172795</b>	<b>Reverse Valve Kit (Included : 15, 16, 17, 18, 19 &amp; 20)</b>	

Item No.	Part No.	Description	Q'ty
<b>G</b>	<b>8950221423</b>	<b>End Plate Kit</b>	
25		Retaining Ring	1
26		Ball Bearing	1
27		End Plate	1
<b>H</b>	<b>8950221424</b>	<b>End Plate Kit</b>	
32		End PLate	1
33		Ball Bearing	1
<b>I</b>	<b>8950240460</b>	<b>Anvil Kit</b>	
37		Anvil 1/2"	1
38		O-ring	1
39		Anvil Collar 1/2"	1
<b>J</b>	<b>8940169492</b>	<b>Anvil Kit Extended</b>	
37		Anvil 1/2"	1
38		O-ring	1
39		Anvil Collar 1/2"	1
<b>K</b>	<b>8950251279</b>	<b>Anvil Collar Kit (5)</b>	
38		O-ring	5
39		Anvil Collar 1/2"	5
<b>L</b>	<b>8940169493</b>	<b>Hammer Case Kit</b>	
24		Gasket	1
40		Anvil Bushing	1
41		Hammer Case	1
42		Grease Fitting	1
<b>M</b>	<b>8950280019</b>	<b>Small Parts Kit</b>	
5		Muffler	1
8		Washer	1
17		Spring	1
31		Spring Pin	1
40		Anvil Bushing	1
42		Grease Fitting	1
<b>N</b>	<b>8950280020</b>	<b>Gasket Kit</b>	
14		Gasket	1
23		Screw	4
24		Gasket	1
<b>O</b>	<b>8940169810</b>	<b>Tune Up Kit (Included : 2, 4, 6, 12, 18, 19, 20, 25, 26, 29, 33)</b>	



8940169372	Operator's Manual
8950900061	Warning Label
6159948710	Safety Instructions

**Recommended Accessories**

	<b>Oil for motor lubrication</b>
CA149661	(4 oz - 0.12 l)
CA000046	(20,8 oz. - 0, 59 l)
P089507	(1 gal - 3.8 l)

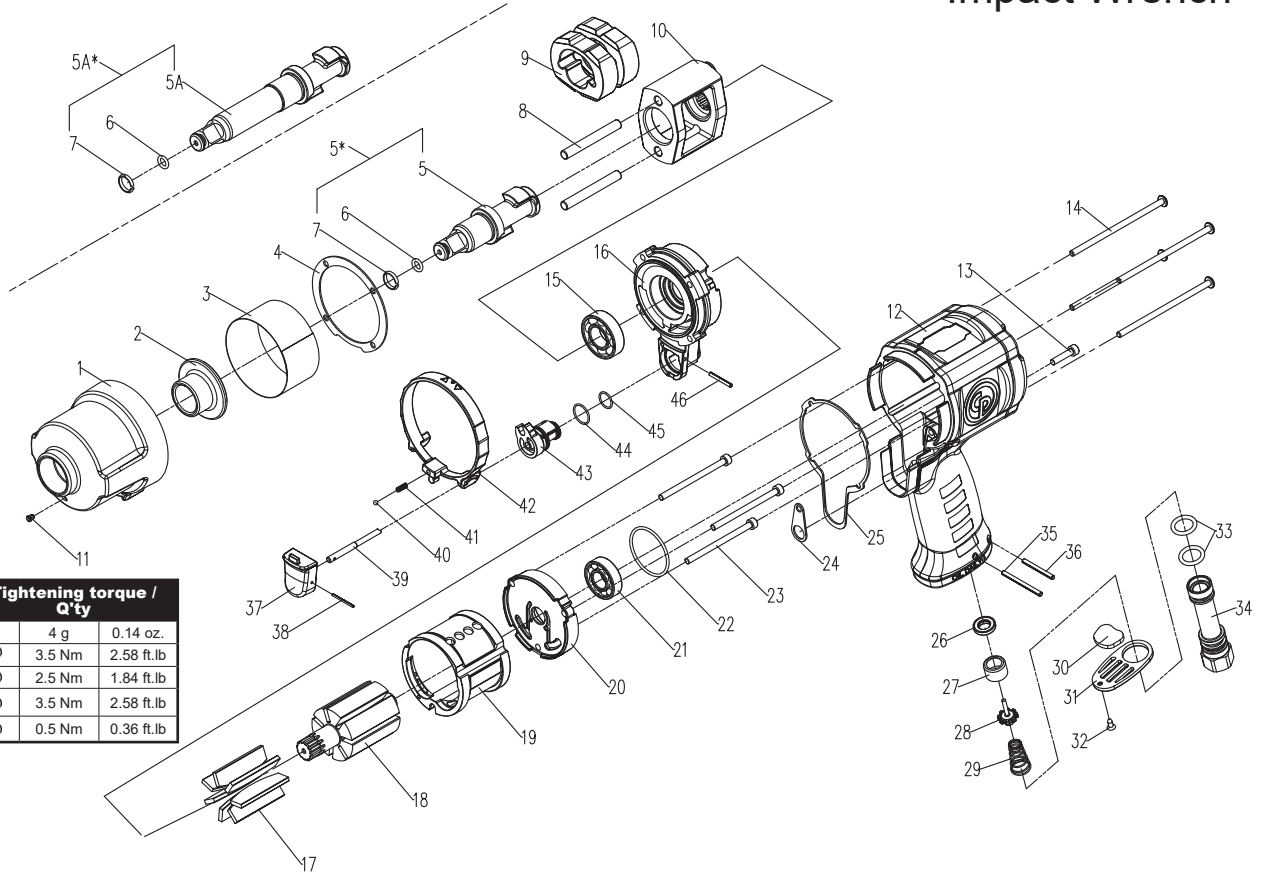


**Chicago  
Pneumatic**

**CP7748 & CP7748-2**

**Model G**

**Impact Wrench**



Item	Glue / grease	Tightening torque / Q'ty
10	Clutch grease	4 g 0.14 oz.
13		3.5 Nm 2.58 ft.lb
14	Loctite 222	2.5 Nm 1.84 ft.lb
23		3.5 Nm 2.58 ft.lb
32	/	0.5 Nm 0.36 ft.lb

Item No.	Part No.	Description	Q'ty
5	2050521363	Anvil Unit (5*)	1
5A	2050526443	Anvil Long (5A*)	1
8	2050521123	Hammer Frame Pin (Set Of 2)	1
9	2050521133	Hammer (Set Of 2)	1
10	8940176003	Hammer Frame	1
17	8940176019	Blades (Set of 7)	1
18	8940176007	Rotor	1
19	8940176008	Cylinder	1
<b>A</b>	<b>8940171601</b>	<b>Socket Retainer Kit (Set Of 5)</b>	
6		O - Ring 5.8x1.9	1
7		Socket Retainer	1
<b>B</b>	<b>8940176020</b>	<b>Gasket Kit</b>	
4		Hammer Case Gasket	1
24		Packing-Front Bearing Plate	1
25		Front Bearing Plate Gasket	1
<b>C</b>	<b>8940176021</b>	<b>Clutch Housing Kit</b>	
1		Hammer Case	1
2		Hammer Case Bushing	1
3		Steel Ring	1
4		Hammer Case Gasket	1
11		Hammer Case Grease Fitting	1
<b>D</b>	<b>8940176022</b>	<b>Front End Plate Kit</b>	
13		Hex.Soc.Hd.Bolt	1
15		Bearing 6002ZZ	1
16		Front End Plate	1
24		Packing-Front Bearing Plate	1
25		Front Bearing Plate Gasket	1
46		Spring Pin	1
<b>E</b>	<b>8940176023</b>	<b>Rear End Plate Kit</b>	
20		Rear End Plate	1
21		Bearing 6001	1
22		O-Ring 33.05x1.78	1
23		Hex.Soc.Hd.Bolt	3
<b>F</b>	<b>8940176024</b>	<b>Throttle Valve Kit</b>	
26		Seal	1
27		Bushing	1
28		Tip Valve	1
29		Spring	1

Item No.	Part No.	Description	Q'ty
<b>G</b>	<b>8940176052</b>	<b>Exhaust Deflector Kit</b>	
30		Muffler	
31		Exhaust Deflector	
32		Tap Bolt	
<b>H</b>	<b>8940176025</b>	<b>Inlet Kit</b>	
33		O-Ring 12.6x2.5	2
34		Air Inlet	1
35		Spring Pin 36x3	1
36		Spring Pin 28x3	1
<b>I</b>	<b>8940176026</b>	<b>Trigger Kit</b>	
37		Trigger	1
38		Spring Pin 20x1.5	1
39		Trigger Tip	1
<b>J</b>	<b>8940176027</b>	<b>Reverse Ring Kit</b>	
40		Steel Ball Diam. 3	1
41		Positioning Spring	1
42		Reverse Ring	1
<b>K</b>	<b>8940176028</b>	<b>Reverse Valve Kit</b>	
43		Reverse Valve	1
44		O-Ring 13x1	1
45		O-Ring 8x1	1
46		Spring Pin 20x2.5	1
<b>L</b>	<b>8940176029</b>	<b>Housing Kit</b>	
		Included 12, 26, 27, 28, 29, 30, 31, 32, 33(x2), 34, 35 & 36	
<b>M</b>	<b>8940176030</b>	<b>Screw Kit</b>	
		Included 13, 14(x4) & 23(x3)	
<b>N</b>	<b>8940176031</b>	<b>Tune Up Kit</b>	
		Included 17, 22, 26, 30, 33(x2), 44 & 45	
<b>O</b>	<b>8940176032</b>	<b>Small Parts Kit</b>	
		Included 11, 32, 35, 36, 38, 40, 41 & 46	

	8950900061	Warning Label
--	------------	---------------

**Recommended Accessories**

<p><b>Oil for motor lubrication</b> CA149661 (4 oz - 0.12 l) CA000046 (20,8 oz. - 0, 59 l) P089507 (1 gal - 3.8 l)</p>	<p><b>Protective Cover</b> 8940175618</p>
--	---

Learn more about air impact wrenches we have.