



**Chicago  
Pneumatic**

# ***Operator's Manual***

**CP2136,CP2141 Series**

**1/4" Impact Screwdriver**



## **⚠ WARNING**

*To reduce risk of injury, everyone using, installing, repairing, maintaining, changing accessories on, or working near this tool must read and understand these instructions, as well as separately provided safety instructions part number 6159948710, before performing any such task.*

# Air Diagram:

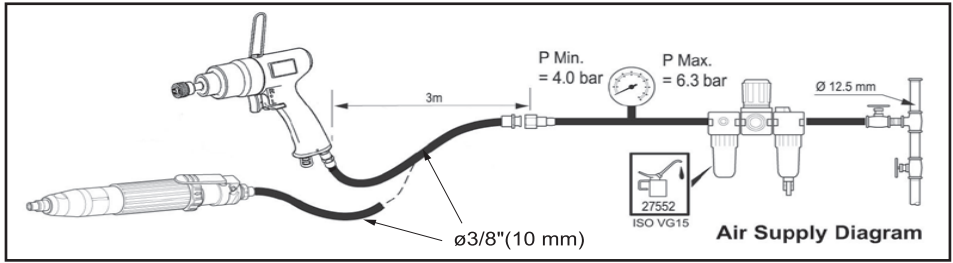


Fig. 1

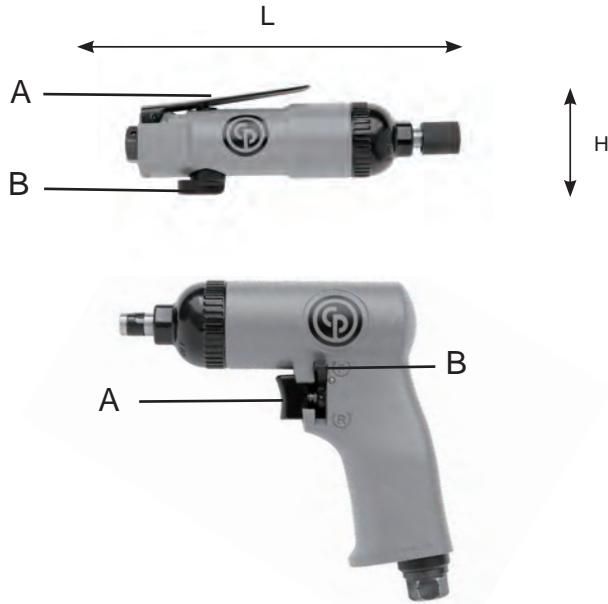


Fig. 2

Model	Drive	Torque		Free Speed	Weight	Inner Hose Dia.	Tool Length	Air Consumption Free Speed	Air Inlet	Sound-Pressure L <sub>PA</sub>	Sound-Power L <sub>WA</sub>	Vibrations	
		F <sub>max</sub>	R <sub>max</sub>									ahd	k
	1	2	3	4	5	6	7	8	9	10	11		
[inch]	[ft. lbs] [Nm]	[ft. lbs] [Nm]	[min <sup>-1</sup> ]	[lb] [kg]	[inch.] [mm]	[inch.] [mm]	[SCFM] [NI/s]	[inch]	[dB(A)]	[dB(A)]	[m/s <sup>2</sup> ]	[m/s <sup>2</sup> ]	
CP2136	1/4"	15.5 21	16.2 22	10000	1.51 0.68	3/8" 10	7.28 185	8.81 4.16	1/4" FEMALE	89	100	7.4	2.8
CP2141	1/4"	17.7 24	19.9 27	13000	1.90 0.87	3/8" 10	5.63 143	18.07 8.53	1/4" FEMALE	77	88	5.3	2.1

### 1. Technical Data (see Fig 2.)

Model	Drive	Torque		Free Speed	Weight	Inner Hose Dia.	Tool Length	Air Consumption Free Speed	Air Inlet	Sound-Pressure $L_{pA}$	Sound-Power $L_{WA}$	Vibrations		
		Fmax	Rmax									ahd	k	
	1	2	3	4	5	6	7	8	9	10	11			
	[inch]	[ft.lbs] [Nm]	[ft.lbs] [Nm]	[min-1]	[lb] [kg]	[inch.] [mm]	[inch.] [mm]	[SCFM] [Nl/s]	[inch]	[dB(A)]	[dB(A)]	[m/s <sup>2</sup> ]	[m/s <sup>2</sup> ]	

max pressure 6.3 bar (90 psi)

$a_{wa}$ : Vibration level, k Uncertainty;  $L_{pA}$  Sound pressure level dB(A),  $K_{pA} = K_{WA} = 3$  dB Uncertainty.

**Declaration of noise (ISO 15744) and vibration emission (ISO 28927-2)**

All values are current as of the date of this publication.

These declared values were obtained by laboratory type testing in accordance with the stated standards and are suitable for comparison with the declared values of other tools tested in accordance with the same standards. These declared values are not adequate for use in risk assessments and values measured in individual work places may be higher. The actual exposure values and risk of harm experienced by an individual user are unique and depend upon the way the user works, the workpiece and the workstation design, as well upon the exposure time and the physical condition of the user.

We, CHICAGO PNEUMATIC TOOLS, cannot be held liable for the consequences of using the declared values, instead of values reflecting the actual exposure, in an individual risk assessment in a work place situation over which we have no control.

This tool may cause hand-arm vibration syndrome if its use is not adequately managed.

We recommend a programme of health surveillance to detect early symptoms which may relate to noise or vibration exposure, so that management procedures can be modified to help prevent future impairment.

### 2. Machine Type

- This product is designed for installing and removing threaded fasteners in wood, metal and plastic. No other use permitted. For professional use only.
- Please read the product safety information carefully!

### 3. Implementation and Operation

- Connect device as shown in Fig.01.
- Fix the accessories properly to the tool.
- To operate in reverse rotation, turn the reverse switch (B) to the left. To operate in forward rotation, turn the reverse switch (B) to the right.
- To start the machine, simply pull the trigger (A). Machine speed is increase by increasing pressure on the trigger. Release the trigger to stop.
- This Impact Screwdriver is equipped with a regulator (B) to enable adjustment of output power. Turn the regulator knob counter-clockwise for maximum power, clockwise to reduce power.
- Use the reverse switch (B) only when the drive spindle comes to a complete stop. Changing the speed before the drive spindle stops may damage the machine.

### 4. Lubrication

#### • Motor Lubrication

Use an air line lubricator with SAE #10 oil, adjusted to two (2) drops per minute. If an air line lubricator cannot be used, add air motor oil to the inlet once a day.  
Recommended lubricant CP Oil PROTECTO-LUBE:

- 4 oz (0.12l) P/N: CA149661
- 20.8 oz (0.591l) P/N: CA000046
- 1gal (3.8l) P/N: P089507

#### • Clutch Lubrication

Use CP Pneu-Lube Synthetic Clutch Grease 8940158455.

### 5. Maintenance

- Follow local country environmental regulations for safe handling and disposal of all components
- Disassemble and inspect the tool every three 3 months if the tool is used every day. Replace damaged or worn parts.
- Always ensure that the machine is disconnected from energy source (compressed air) to avoid accidental operation.
- High wear parts are underlined in the parts list.
- To keep downtime to a minimum, the following service kits are recommended:  
**Tune-Up Kit:** see part list

### 6. Disposal

- The disposal of this equipment must follow the legislation of the respective country.
- All damaged, badly worn or improperly functioning devices MUST BE TAKEN OUT OF OPERATION.
- Repair only by technical maintenance staff.

### 7. Declaration of conformity

Declare that the product(s): **Impact Screwdriver**

Machine type(s) : **CP2136,CP2141**

Serial Number: **From 00501 to 99999**

Origin of the product : **Taiwan**

is in conformity with the requirements of the council Directives on the approximation of the laws of the Member States relating to "Machinery" **2006/42/EC (17/05/2006)** applicable harmonised standard(s) : **EN ISO 11148-6:2012**

Name and position of issuer : **Nicolas Lebreton ( R&D Manager)**

Place & Date : **Saint-Herblain, 18/12/2013**

### Original Instructions

Copyright 2013, Chicago Pneumatic Tool Co. LLC

All rights reserved. Any unauthorized use or copying of the contents or part thereof is prohibited. This applies in particular to trademarks, model denominations, part numbers and drawings. Use only authorized parts. Any damage or malfunction caused by the use of unauthorized parts is not covered by Warranty or Product Liability.



## WARNING

To reduce risk of injury, everyone using, installing, repairing, maintaining, changing accessories on, or working near this tool must read and understand these instructions before performing any such task.

# SAFETY INSTRUCTIONS

## DO NOT DISCARD - GIVE TO USER

- Our goal is to produce tools that help you work safely and efficiently. The most important safety device for this or any tool is YOU. Your care and good judgment are the best protection against injury. All possible hazards cannot be covered here, but we have tried to highlight some of the important ones.
- Only qualified and trained operators should install, adjust or use this power tool.
- This tool and its accessories must not be modified in any way.
- Do not use this tool if it has been damaged.
- If the rated speed, operating pressure or hazard warning signs on the tool cease to be legible or become detached, replace without delay.

### ⚠ Air Supply And Connection Hazards

- Air under pressure can cause severe injury.
- Always shut off air supply, drain hose of air pressure and disconnect tool from air supply when not in use, before changing accessories or when making repair.
- Never direct air at yourself or anyone else
- Whipping hoses can cause serious injury. Always check for damaged or loose hoses and fittings.
- Do not use quick disconnect couplings at tool. See instructions for correct setup.
- Whenever universal twist couplings are used, lock pins must be installed.
- Do not exceed maximum air pressure of 90 psi/6.3 bar or as stated on tool nameplate.

### ⚠ Entanglement Hazards

- Keep away from rotating drive. Choking, scalping and / or lacerations can occur if loose clothing, gloves, jewellery, neck ware and hair are not kept away from tool and accessories.
- Gloves can become entangled with the rotating drive, causing severed or broken fingers.
- Rotating drive sockets and drive extensions can easily entangle rubber-coated or metal reinforced gloves.
- Do not wear loose-fitting gloves or gloves with cut or frayed fingers.
- Never hold the drive, socket or drive extension.

### ⚠ Projectile Hazards

- Always wear impact-resistant eye and face protection when involved with or near the operation, repair or maintenance of the tool or changing accessories on the tool.
- Be sure all others in the area are wearing impact-resistant eye and face protection. Even small projectiles can injure eyes and cause blindness.
- Serious injury can result from over-torqued or under-torqued fasteners, which can break, or loosen and separate. Released assemblies can become projectiles. Assemblies requiring a specific torque must be checked using a torque meter.

Note: So-called "click" torque wrenches do not check for potentially dangerous over-torque conditions.

- Do not use hand sockets. Use only power or impact sockets in good condition.
- Ensure that the workpiece is securely fixed.

### ⚠ Operating hazards

- Disconnect the air supply before handling the screwdriver bit or socket, adjusting the clutch or dismantling the tool.
- Operators and maintenance personnel must be physically able to handle the bulk, weight and power of the tool.
- Hold the tool correctly: be ready to counteract normal or sudden movements – have both hands available.
- Immediately after adjusting the clutch, check for correct operation.
- Do not use with reduced air pressure or in a worn condition: the clutch may not operate, resulting in sudden rotation of the tool handle.
- Always support the tool's handle securely, in the direction opposite to the spindle rotation, to reduce the effect of sudden torque reaction during final tightening and initial loosening.
- If possible, use a suspension arm to absorb the reaction torque. If that is not possible, side handles are recommended for straight-case ad pistol-grip tools; reaction bars are recommended for angle nutrunners. In any case, it is recommended to use a means to absorb the reaction torque above 4 Nm (3 lbf.ft) for straight-case tools, above 10 Nm (7.5 lbf.ft) for pistol-grip tools, and above 60 Nm (44 lbf.ft) for angle nutrunners.
- Fingers can be crushed in open-ended crow-foot nutrunners.
- Do not use in confined spaces: beware of crushing hands between tool and workpiece, especially when unscrewing.

### ⚠ Repetitive motion hazards

- When using a power tool to perform work-related activities, the operator might experience discomfort in the hands, arms, shoulders, neck, or other parts of the body.
- Adopt a comfortable posture whilst maintaining secure footing and avoiding awkward or offbalance postures. Changing posture during extended tasks can help avoid discomfort and fatigue.
- Do not ignore symptoms such as persistent or recurring discomfort, pain, throbbing, aching, tingling, numbness, burning sensation, or stiffness. Stop using the tool, tell your employer and consult a physician.

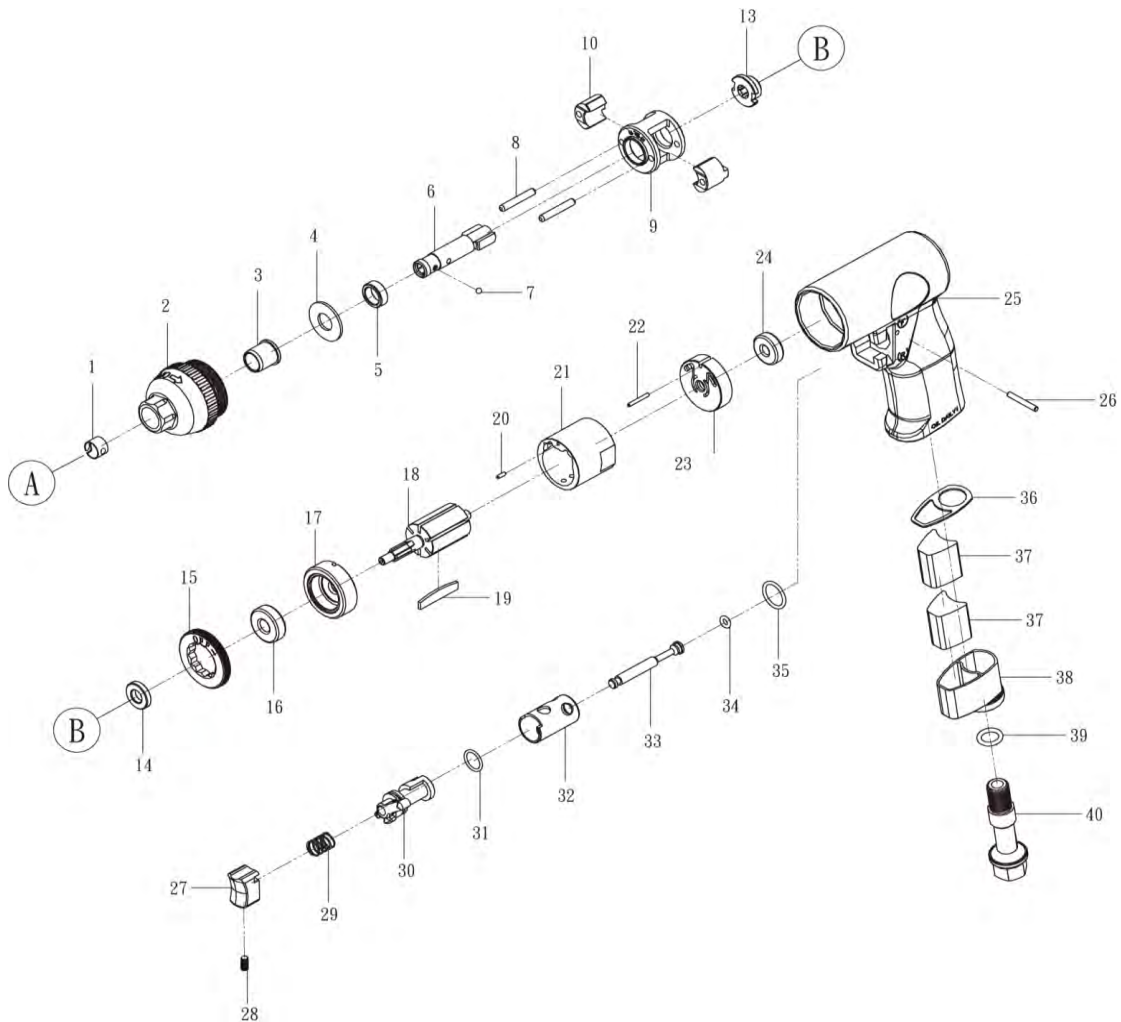
### ⚠ Noise and Vibration hazards

- High sound levels can cause permanent hearing loss and other problems such as tinnitus. Use hearing protection as recommended by your employer or occupational health and safety regulations.
- Exposure to vibration can cause disabling damage to the nerves and blood supply of the hands and arms. Wear warm clothing and keep your hands warm and dry. If numbness, tingling, pain or whitening of the skin occurs, stop using tool, tell your employer and consult a physician.
- Hold the tool in a light but safe grip because the risk from vibration is generally greater when the grip force is higher. Where possible use a suspension arm or fit a side handle.
- To prevent unnecessary increases in noise and vibration levels:
  - Operate and maintain the tool, and select, maintain and replace the accessories and consumables, in accordance with this instruction manual;
  - Do not use worn or ill-fitting screwdriver bits, sockets or extensions.

### ⚠ Workplace Hazards

- Slip/Trip/Fall is a major cause of serious injury or death. Be aware of excess hose left on the walking or work surface.

- Avoid inhaling dust or fumes or handling debris from the work process which can be harmful to your health (for example, cancer, birth defects, asthma and/or dermatitis). Use dust extraction and wear respiratory protective equipment when working with materials which produce airborne particles.
- Some dust created by power sanding, sawing, grinding, drilling and other construction activities contains chemicals known to the State of California to cause cancer and birth defects or other reproductive harm. Some examples of these chemicals are:
  - Lead from lead based paints
  - Crystalline silica bricks and cement and other masonry products
  - And Arsenic and chromium from chemically- treated rubberYour risk from these exposures varies, depending on how often you do this type of work. To reduce your exposure to these chemicals: work in a well ventilated area, and work with approved safety equipment, such as dust masks that are specially designed to filter out microscopic particles.
- Proceed with care in unfamiliar surroundings. Be aware of potential hazards created by your work activity. This tool is not insulated for coming into contact with electric power sources.
- This tool is not recommended for use in explosive atmospheres.



Index No	Part No	Description	Qty.	Index No	Part No	Description	Qty.
8	8940171985	Pin ( $\phi$ 4x26) Set (2)	1	<b>F</b>	<b>8940170496</b>	<b>Trigger Kit</b>	
9	8940170486	Hammer Case	1	26		Pin ( $\phi$ 3X22)	1
10	8940170487	Hammer Set (2)	1	27		Switch Lever	1
15	8940170492	Bolt	1	28		Screw	1
18	8940170489	Rotor	1	29		Spring	1
19	8940170498	Rotor Blade Set (6)	1	<b>G</b>	<b>8940170501</b>	<b>Front End Plate kit</b>	
21	8940170509	Cylinder	1	16		Ball Bearing (608)	1
25	8940170511	Handle	1	17		Front Plate	1
<b>A</b>	<b>8940170505</b>	<b>Front CAP Kit</b>		20		Pin ( $\phi$ 2X6)	1
2		Front Cap	1	<b>H</b>	<b>8940170500</b>	<b>Rear End Plate kit</b>	
3		Bushing	1	22		Pin ( $\phi$ 2X18)	1
<b>B</b>	<b>8940170502</b>	<b>Anvil kit</b>		23		Rear Plate	1
4		Washer	1	24		Ball Bearing (626)	1
5		Ring	1	<b>I</b>	<b>8940170482</b>	<b>Ball Bearing Kit</b>	
6		Anvil	1	16		Ball Bearing (608)	1
7		Steel Ball ( $\phi$ 3.175mm)	1	24		Ball Bearing (626)	1
<b>C</b>	<b>8940170481</b>	<b>Hammer Cam KIT</b>		<b>K</b>	<b>8940170494</b>	<b>Packing Kit</b>	
13		Hammer Cam	1	36		Packing	1
14		Washer	1	<b>SK</b>	<b>8940170506</b>	<b>Small Parts kit</b>	
<b>D</b>	<b>8940170497</b>	<b>Inlet Kit</b>				Include 1,7,20,22,26	
37		Muffler Set (2)	1	<b>TK</b>	<b>8940170516</b>	<b>Tune-up Kit</b>	
38		Muffler	1			Include 19,31,34,35,39	
39		O-Ring (P10X2.4)	1				
40		Air Inlet (PT)	1				
<b>E</b>	<b>8940170499</b>	<b>Reverse Valve Kit</b>					
30		Reverse Valve	1				
31		O-Ring (P11X1.5)	1				
32		Bushing	1				
33		Valve Rod	1				
34		O-Ring (P4X1.9)	1				
35		O-Ring (P14X1.9)	1				



8940172035	Instruction Manual
8940166064	Warning Lable
6159948710	Safety Manual

Spare parts without part number are not sold separately - High wear parts underlined

Check out the collection of air tools and compressors we offer.