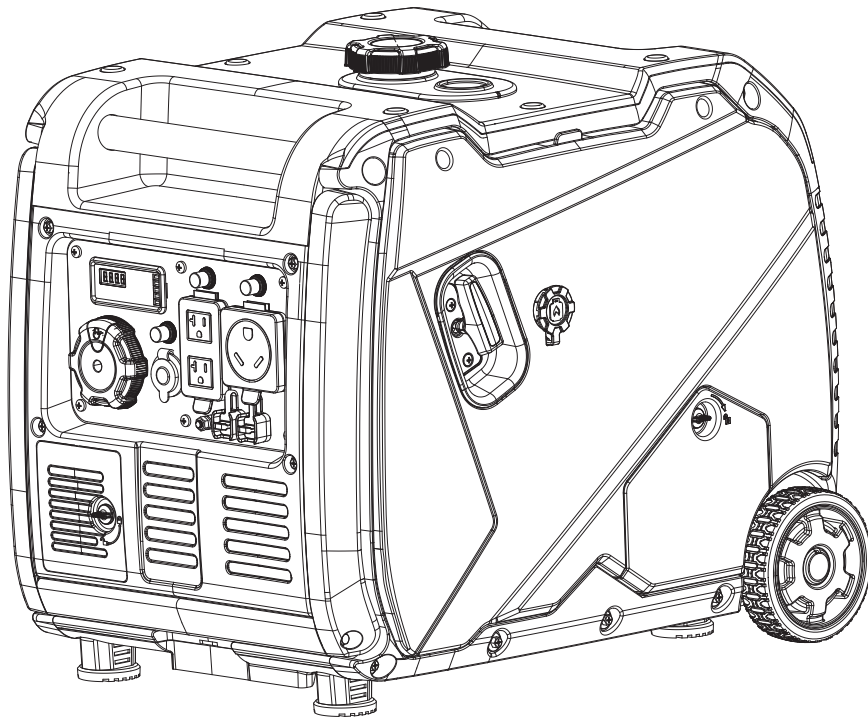




Champion Power Equipment, Inc., Santa Fe Springs, CA USA

MODEL #200988



PARTS INFORMATION

4500W DUAL FUEL INVERTER GENERATOR

SERIAL NUMBER RANGE: ALL



To order replacement parts please visit:
shop.championpowerequipment.com
or call **1-877-338-0999**.

TABLE OF CONTENTS

Inverter Generator Diagram	3
Inverter Generator Parts List	4
Engine Diagram	6
Engine Parts List	7
Cylinder Head Diagram	9
Cylinder Head Parts List	10
Carburetor Diagram	11
Carburetor Parts List	12
Frame Assembly Diagram	13
Frame Assembly Parts List	14
Fuel Tank Diagram	15
Fuel Tank Parts List	16
Control Panel Diagram	17
Control Panel Parts List	18
Wheel Kit Diagram	19
Wheel Kit Parts List	20
Wiring Diagram	21

INVERTER GENERATOR DIAGRAM

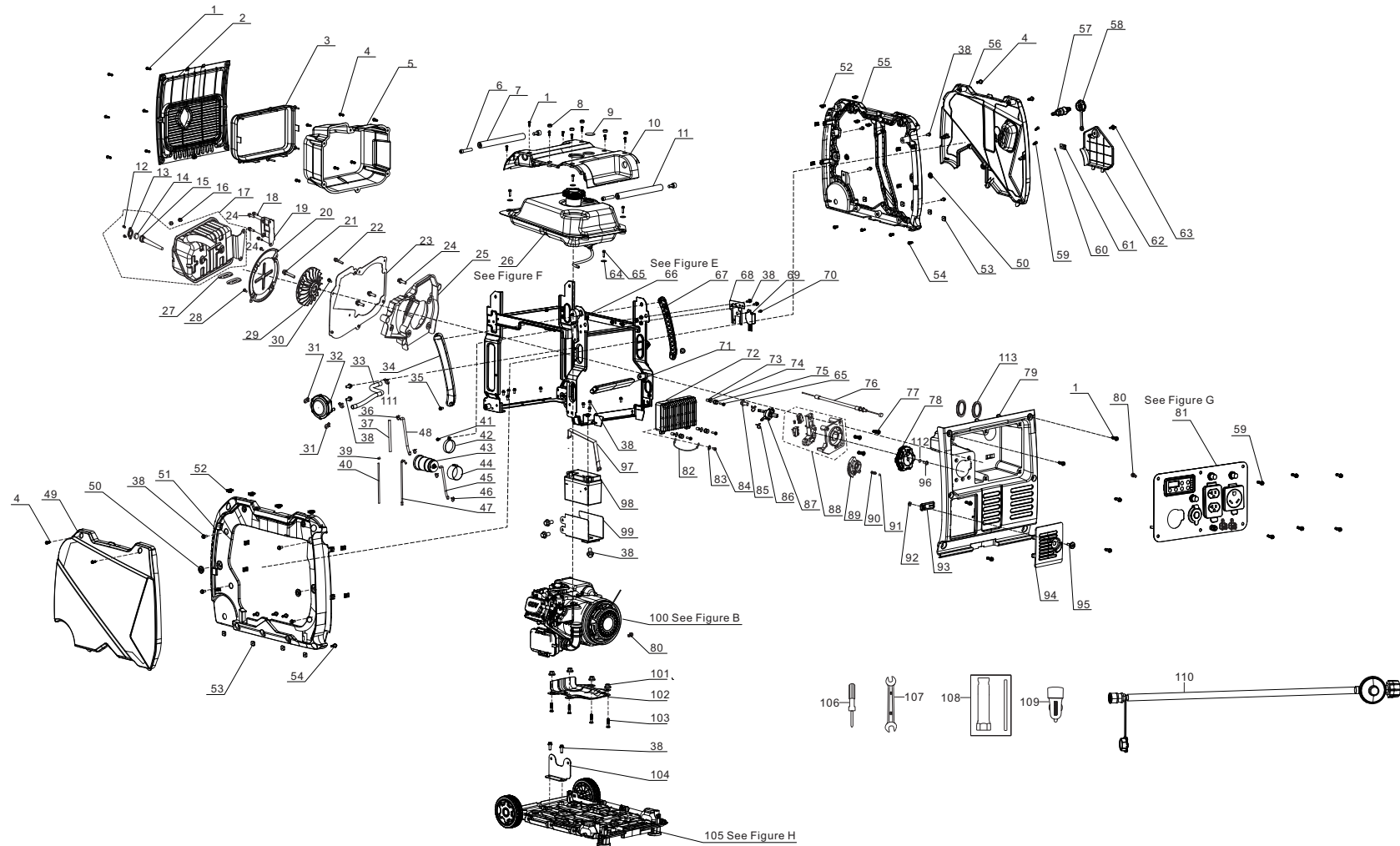


Figure A

INVERTER GENERATOR PARTS LIST

#	Part Number	Description	Qty.
1	90208-YB00410-0000	Hexagon Step Bolt, M5 x 16, 6.5mm, Black Zinc	20
2	18002HYBW0110-Q201	Louver, Muffler	1
3	18018-Y2P0120-0001	Insulator Glue Cushion, Muffler	1
4	90208-YB00210-0000	Hexagonal Step Bolt, M5 x 12, Black Zinc	10
5	18130HYBW0110-Q201	Muffler Guard	1
6	90115-0830-13A0	Flange Bolt, M8 x 30, Black Zinc	4
7	80153HYBW0210-H801	Handle 2, Ø28 x 332	1
8	90722-YBW0110-0001	Plug 1, End	6
9	37205-Y2V0310-00A1	Fuel Gauge	1
10	94230HYBW0110-Q201	Cover, Upper	1
11	80153HYBW0110-H801	Handle 1, Ø28 x 273	1
12	18012-Z800310-0000	Bolt, M5 x 10, Spark Arrestor	2
13	18213-Z800310-0000	Cover Plate, Spark Arrestor	1
14	18218-Z800210-0000	Muffling Block	1
15	18250-Z800210-0000	Spark Arrestor	1
16	90303-0800-31A0	Hexagon Nut, M8, White Zinc	2
17	18100-YBW0111-00A0	Muffler Assembly	1
18	90007-0612-A1A0	Hexagon Flange Bolt, M6 x 12, White Zinc	2
19	18030HYBW0110-H700	Muffler Bracket	1
20	18020-YBW0110-0000	Plate, Muffler Insulator	1
21	90001-0820-01A0	Hexagon Flange Bolt, M8 x 20, White Zinc	1
22	90007-0635-A1A0	Hexagon Flange Bolt, M6 x 35, White Zinc	1
23	18299HYBW0121-0000	Bracket, Muffler Guard	1
24	90001-0816-01A0	Hexagon Flange Bolt, M8 x 16, White Zinc	5
25	28110HYBW0111-Q200	Shroud	1
26	96003-ZSS2210-0000	Fuel Tank Assembly - See Figure F	1
27	18001-Z950110-00A0	Exhaust Outlet Gasket	2
28	90134-YB00110-0000	Bolt, Cross Hexagon Pan Head, M5 x 12, Black Zinc	2

#	Part Number	Description	Qty.
29	19352HYBW0110-Q2A0	Cooling Fan	1
30	90124-Y9T0310-00A0	Tapping Screw, PT4x13	1
31	90748-0812-00A0	Clamp, Ø12~Ø18	2
32	77100-Z3R0310-0000	Regulator, Auxiliary	1
	S/N<21MAY2510225		
	77100-Z3R0311-0000		
	S/N≥21MAY2510225		
33	90729-YJR0110-0000	Vent Hose	1
34	54912HYBW0111-Q201	Rotating Arm, Left	1
35	90001-0616-03	Hexagon Flange Bolt, M6 x 16, Black Zinc	2
36	90685-D075-0EA0	Clamp, Ø7.5 x 8 x 0.6	2
37	30431-YBW0210-0001	Rubber Sleeve, Ø10 x Ø11 x 180	1
38	90001-0612-01A0	Hexagon Flange Bolt, M6 x 12, White Zinc	26
39	90683-Z870310-00A0	Bushing	1
40	30431-Y020110-0001	Rubber Sleeve, Fuel Tube	1
41	90001-0620-01A0	Hexagon Flange Bolt, M6 x 20, White Zinc	1
42	16806-YBW0110-H6A0	Mounting Plate, Carbon Canister	1
43	16801-YDR0110-00A0	Carbon Canister, 240cc	1
44	30431-YBW0110-0001	Rubber Sleeve, Carbon Canister	1
45	16805-YDR0110-0001	Connection Pipe, Air Cleaner	1
46	90685-D105-0EA0	Clamp, Ø10.5 x 8 x 0.8	2
47	16804-YBW0210-0001	Connection Pipe, Ø4.5 x Ø8.5 x 335	1
48	16804-YBW0110-0001	Connection Pipe, Ø4.5 x Ø8.5 x 265	1
49	80092HYJR0110-L400	Cover Board, Left	1
50	16601-Y2V0210-0001	Vibration Mount 2, Fuel Tank	4
51	80091HYBW0110-Q201	Shell, Left	1
52	17199-YB00110-00A0	Clip Nut, M5, White Zinc	16
53	90326-Y2V0110-00A0	Square Nut, M6, White Zinc	8
54	90208-YB00110-0000	Hexagonal Step Bolt, M6 x 20, Black Zinc	8
55	80095HYBW0110-Q201	Shell, Right	1

#	Part Number	Description	Qty.
56	80096HYJR0110-L400	Cover Board, Right	1
57	16021-YJR0210-0000	Inlet Connection	1
58	90722-YJR0110-0000	Plug, Inlet Connection	1
59	90255-0512-53	Screw & Washer Assembly, M5×12, Black Zinc	8
60	37073-Y2V0110-00A0	Clip, Spring	1
61	24329-Y9T0120-Q201	Block 1	1
62	51197HYH30110-L401	Side Access Panel, Service	1
63	80105-YB00110-Q201	Knob, Side Access Panel, Service	1
64	90408-Y020310-00A0	Flat Washer, White Zinc	4
65	90001-0625-01A0	Hexagon Flange Bolt, M6 x 25, White Zinc	7
66	96003-ZSS7810-0000	Frame Assembly - See Figure E	1
67	54912HYBW0211-Q201	Right, Rotating Arm	1
68	51124-YJR0110-0000	Mounting Bracket	1
69	30060-YH30110-0000	Rectifier	1
70	90001-0612-0101	Hexagon Flange Bolt, M6 x 12, White Zinc	1
71	54913-YBW0110-GU00	Rotating Bar	1
72	30043-YH30210-0000	Inverter	1
73	90683-Y2P0210-00A0	Bushing, Ø6.5 x 10.5 x 16	3
74	90406-0600-E1A0	Flat Washer, Ø6, White Zinc	3
75	30431-Y2P0110-0001	Rubber Sleeve	3
76	16080-YBW0110-0000	Choke Handle Subassembly	1
77	90129-0416-01	Self-Tapping Screw, ST4.2×16, White Zinc	3
78	35643HYH30210-Q2A1	Knob, Switch Dial, Engine	1
79	35680HYBW0110-Q201	Control Panel Housing	1
80	90001-0610-01A0	Hexagon Flange Bolt, M6 x 10, White Zinc	2
81	35610-YJR0410-H200	Panel Assembly - See Figure G	1
82	30009-YH30110-0000	Grounding Wire	1
83	90408-0500-E1A0	Flat Washer, Ø5, White Zinc	1
84	90005-0408-00	Hexagon Bolt, M4 x 8, White Zinc	1
85	90001-0614-01A0	Hexagon Flange Bolt, M6 x 14, White Zinc	1
86	90685-D080-OEA0	Clamp, Ø8 x 7 x 0.6	2
87	16750-Y2V0210-00A0	Fuel Valve Assembly	1

#	Part Number	Description	Qty.
88	35160-YH30110-0000	Switch Assembly, Engine	1
89	94111-Y2V0410-00A1	Cover Board	1
90	16527-Y2V0210-0000	Spring, Stopper Adjusting	1
91	90543-0500-00A0	Ball, Steel	1
92	90341-YA50110-0000	Nylon Nut, M5, Black,Zinc	1
93	24329-YCF0110-Q201	Block 2	1
94	31123HYBW0110-Q201	Access Panel, Battery	1
95	90208-Y9T0120-0000	Hexagonal Step Bolt, M5 x 16, 6mm	1
96	90103-0416-51A0	Cross Recess Pan Head Screw, M4 x 16, White Zinc	1
97	31115-YBW0110-0001	Battery Strap, 177 x 24.5 x 3.8	1
98	31110-Y030610-00A0	Battery, 12V / 1.6Ah	1
99	31130-YBW0210-H6A0	Battery Holder	1
100	RZ3R0B-00000040CMP	Engine, 212cc - See Figure B	1
101	90305-0800-31A0	Hexagon Flange Nut, M8, White Zinc	4
102	19306-Z1D0110-0000	Air Deflector, Crankcase	1
103	90001-0840-01A0	Hexagon Flange Bolt, M8 x 40, White Zinc	4
104	17003HYBW0110-H701	Air Cleaner Support	1
105	96003-ZSS7710-0000	Wheel kit - See Figure H	1
106	93120-Y020310-0002	Screwdriver	1
107	93107-Y920210-0100	Wrench, 8 - 10	1
108	93130-Z010410-0100	Spark Plug Socket	1
109	35613-YBE0110-0000	12VDC USB Adapter	1
	S/N≤21MAY0700684		
	35613-YBE0210-0000		
	S/N>21MAY0700684		
110	77300HYJR0111-0000	LPG Hose With Regulator	1
111	90748-1016-00A0	Clamp	2
112	90408-0400-E1A0	Flat Washer, White Zinc	1
113	30431-Y2V0310-00A1	Rubber Sleeve, Ø30 x Ø40 x 9.8	2

ENGINE DIAGRAM

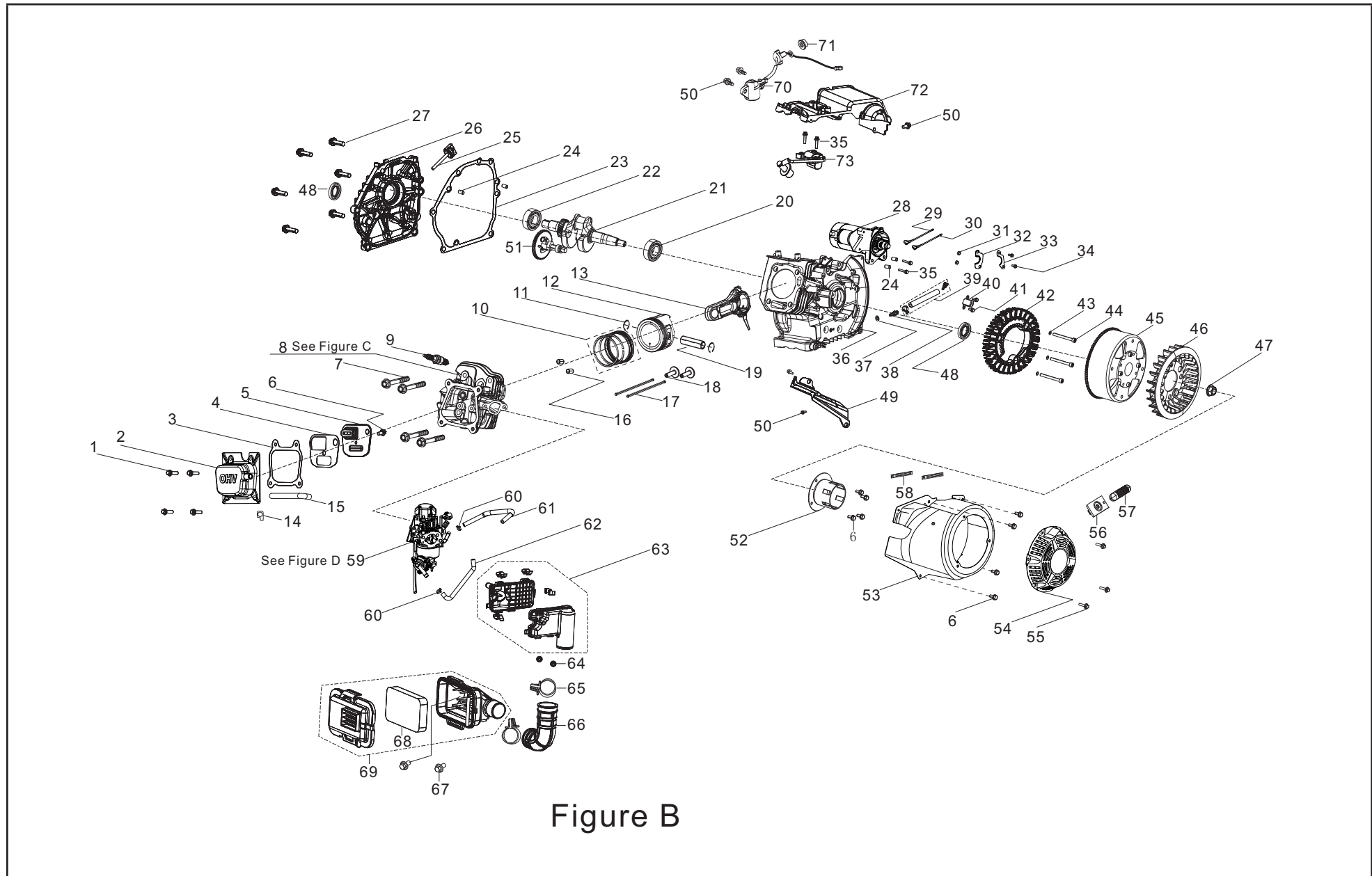


Figure B

ENGINE PARTS LIST

#	Part Number	Description	Qty.
1	90001-0620-01A0	Hexagon Flange Bolt, M6 x 20, White Zinc	4
2	12410-Z1D0111-00A0	Cylinder Head Cover Subassembly	1
3	12004-Z1D0110-00A0	Cylinder Head Cover Gasket	1
4	11332-Z1D0110-00A0	Gasket, Breath Groove Cover	1
5	11320-Z1D0110-00A0	Piece, Breather	1
6	90001-0612-01A0	Hexagon Flange Bolt, M6 x 12, White Zinc	9
7	12003-Z010110-00A0	Cylinder Head Bolt, M8 x 60, White Zinc	4
8	96003-ZSS7310-0000	Cylinder Head	1
9	30010-Z010110-00A0	Spark Plug, F6RTC	1
10	13200-Z140210-00A9	Piston Ring Assembly	1
11	13122-Z010110-00A0	Circlip, Piston Pin	2
12	13111-Z950120-00A0	Piston	1
13	13010-Z950110-00A0	Connecting Rod	1
14	90804-YH30110-00A0	Stop Block	1
15	17004-Z1D0110-00A0	Tube, Breather	1
16	90502-1114-00A0	Pin, Ø11 x 14	2
17	14071-Z950110-00A0	Valve Lifter	2
18	14081-Z040110-00A0	Valve Tappet	2
19	13121-Z010110-00A0	Piston Pin, Ø18 x Ø54	1
20	90547-6305-00A1	Bearing 6305	1
21	13300-Z1D0110-00A1	Crankshaft Assembly	1
22	90547-0205-00A0	Bearing 6205	1
23	11001-Z010120-00A0	Crankcase Gasket	1
24	90502-0812-00A0	Pin, Ø8 x 12	4
25	15010-Z010210-Q200	Oil Dipstick Subassembly	1
26	11411-Z1D0110-00A0	Crankcase Cover	1
27	90001-0832-01A0	Hexagon Flange Bolt, M8 x 32, White Zinc	6
28	30300-Z1D0310-0000	Starting Motor Assembly	1
29	31112HYH30111-0000	DC Wire Harness, Battery	1
30	31114HYH30210-0000	DC Wire Harness, Engine	1

#	Part Number	Description	Qty.
31	90305-0500-31A0	Hexagon Flange Nut, M6, White Zinc	2
32	54066-YE50110-09A0	Wiring Clamp, White Zinc	1
33	30002-Z1D0110-00A0	Magneto Wiring Clamp	1
34	90001-0520-01A0	Hexagon Flange Bolt, M5 x 20, White Zinc	2
35	90001-0628-01A0	Hexagon Flange Bolt, M6 x 28, White Zinc	4
36	11310-Z1D0110-00A9	Crankcase Subassembly	1
37	90408-Z010510-00A0	Flat Washer, Ø10 x Ø15.8 x 1.5	1
38	90689-Z430211-00A0	Joint, Fuel Pile, White Zinc	1
39	11011HZ1D0210-L400	Oil Drain Hose	1
40	30130-Z1D0410-00A0	Trigger	1
41	90001-0516-01A0	Hexagon Flange Bolt, M5 x 16, White Zinc	2
42	30120-YH30110-0000	Stator Component, Ø152 x 38	1
43	90408-0600-E1A0	Washer, Ø6, White Zinc	3
44	90102-0660-06A0	Hexagon Socket Cap Screw, M6 x 60	3
45	30110-YH30110-0000	Rotor Component	1
46	19352-Z1D0110-00A0	Cooling Fan, Engine	1
47	13501-Z010110-00A0	Flywheel Nut, M14 x 1.5, White Zinc	1
48	90682-Z010110-00A0	Oil Seal, Ø25 x Ø41.25 x 6	2
49	19309-Z1D0110-00A0	Right Shield, Crankcase	1
50	90001-0616-01A0	Hexagon Flange Bolt, M6 x 16, White Zinc	5
51	14200-Z1D0110-00A9	Camshaft Assembly	1
52	28002-Z1D0210-0000	Starter Pulley	1
53	28110-Z1D0110-H600	Shroud	1
54	28200-Z1D0110-H600	Recoil Starter Assembly	1
55	90251-0608-03	Bolts and Washer Assembly	3
56	28004-YHX0110-Q200	Guide Plate, Starter Rope	1
57	28210-YEB0110-L400	Handle, Starter Rope	1
58	90684-Z030120-00A0	Clip, 100 mm	2
59	96003-ZSS7010-0000	Carburetor Assembly	1
60	90748-0812-00A0	Clamp, Ø8x12	2

#	Part Number	Description	Qty.
61	90729-YEY0310-0000	Hose, Ø6.3 x Ø13 x 260	1
62	90729-YEY0411-0000	Hose, Ø6.3 x Ø13 x 210	1
63	17400-Z1D0112-00A0	Air Cleaner, Auxiliary	1
64	90305-0600-31A0	Hexagon Flange Nut, M6, White Zinc	2
65	12081-Z1D0110-0000	Clamp 1	2
66	12510-Z1D0110-0001	Inlet Pipe	1
67	90001-0625-01	Hexagon Flange Bolt, M6 x 25, White Zinc	2
68	17151-Z1D0110-0000	Element, Air Cleaner	1
69	17100-Z1D0112-0001	Air Cleaner	1
70	37060-Z1D0112-0000	Engine oil Sensor, W/O Nut	1
71	90305-Z010210-01A0	Hexagon Flange Nut, M10, White Zinc	1
72	16675-Z1D0112-00A0	Shield	1
73	30400-Z1D0311-0000	Ignition Coil	1

CYLINDER HEAD DIAGRAM

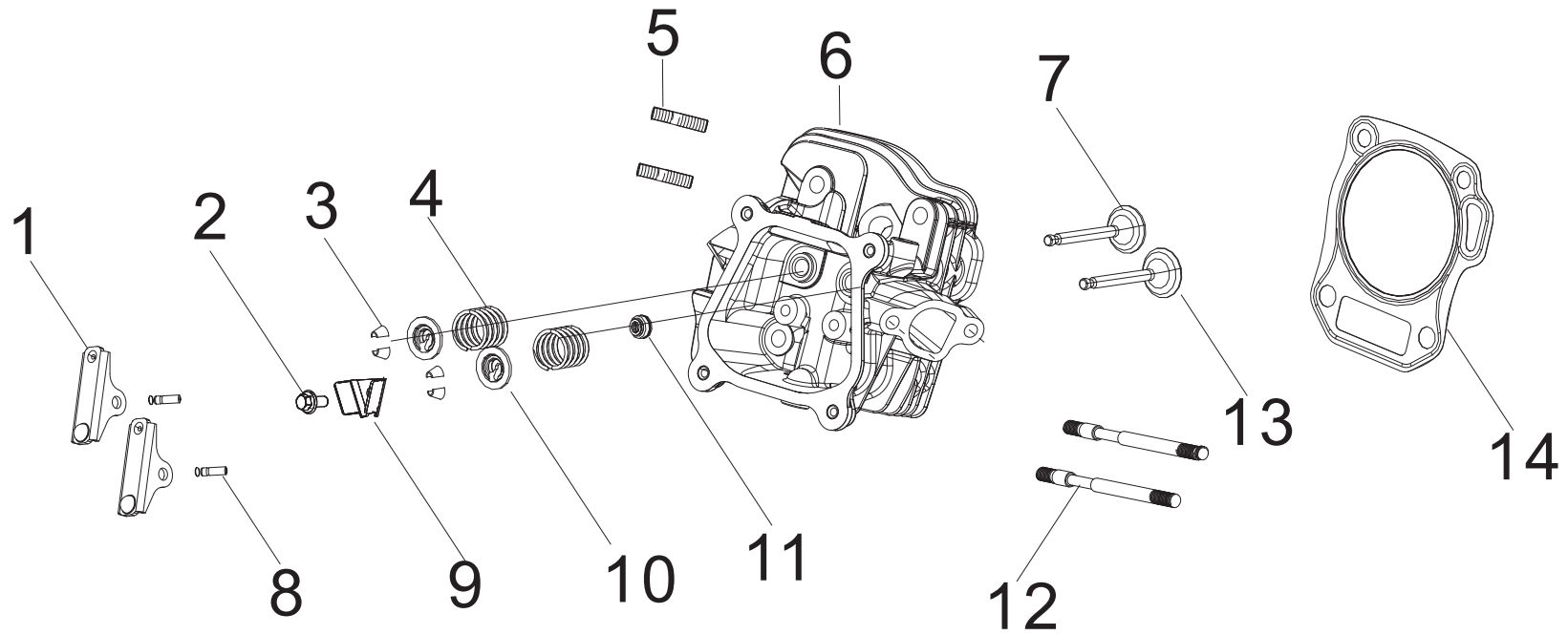


Figure C

CYLINDER HEAD PARTS LIST

#	Part Number	Description	Qty.
1	14310-Z950110-0000	Rocker Arm Assembly	2
2	90001-0612-01A0	Hexagon Flange Bolt, M6 x 12, White Zinc	1
3	12109-Z810110-0000	Valve Lock Clamp	4
4	12103-Z010110-00A0	Valve Spring	2
5	90203-Z010110-0000	Stud, M8 x 34, Black Zinc	2
6	12140-Z950310-00A0	Cylinder Head Subassembly	1
7	12121-Z950110-0000	Exhaust Valve	1
8	14318-Z950110-0000	Valve Rocker Shaft Subassembly	2
9	12419-Z950210-0000	Pin Plate, Cylinder Head Cover	1
10	12112-Z810210-00A0	Retainer, Valve Spring	2
11	12101-Z810210-0000	Seal, Inlet Valve	1
12	90207-Z330210-0000	Stud, M6 x 105, Black Zinc	2
13	12111-Z950110-0000	Inlet Valve	1
14	12131-Z950210-0000	Cylinder Head Gasket	1

CARBURETOR DIAGRAM

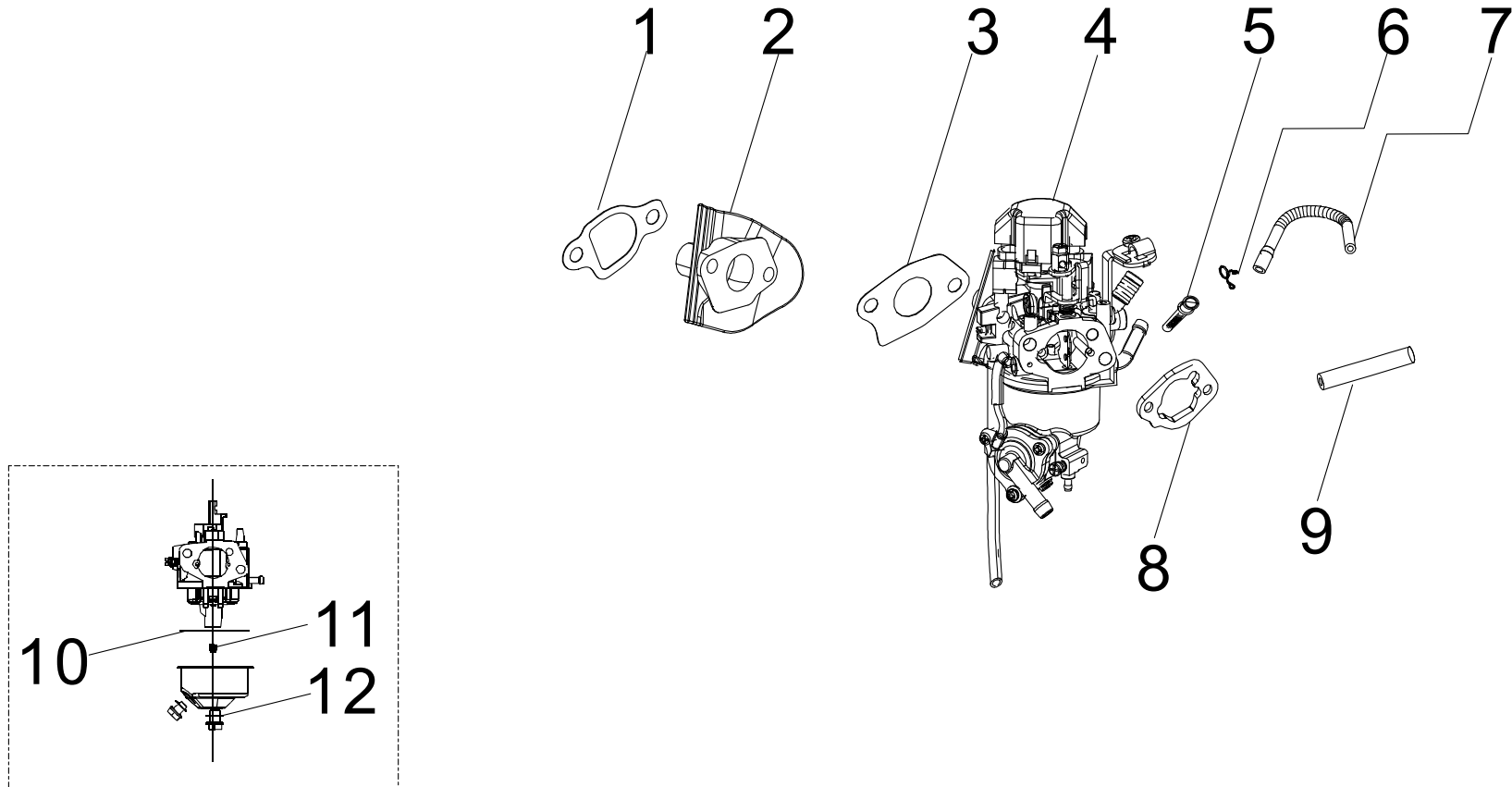


Figure D

CARBURETOR PARTS LIST

#	Part Number	Description	Qty.
1	16002-Z950110-00A0	Carburetor Insulator Gasket	1
2	16003-Z1D0110-00A0	Carburetor Insulator Plate	1
3	16001-Z010110-00A0	Carburetor Gasket	1
4	16100-Z3R0310-00A0	Carburetor Assembly	1
5	16652-Z800110-00A0	Fuel Filter	1
6	90685-D090-0EAO	Clamp, Ø9 x Ø0.8 x 8, Army Green Zinc	1
7	90686-YBW0310-00M0	Fuel Pipe, Ø4.5 x Ø8.5 x 260	1
8	17001-Z1D0110-00A0	Air Cleaner Gasket	1
9	30431-YBW0210-0000	Rubber Sleeve	1
10	16112-Z010110-0000	Seal Ring, Float	1
11	16161-Z152410-00A0	Main Jet(83#)	1
	16161-Z152210-00A1	Main Jet(81#), Altitude 3000-6000 Feet	/
	16161-Z152010-00A2	Main Jet(79#), Altitude 6000-8000 Feet	/
12	90681-Z010710-0000	Seal Ring	1

FRAME ASSEMBLY DIAGRAM

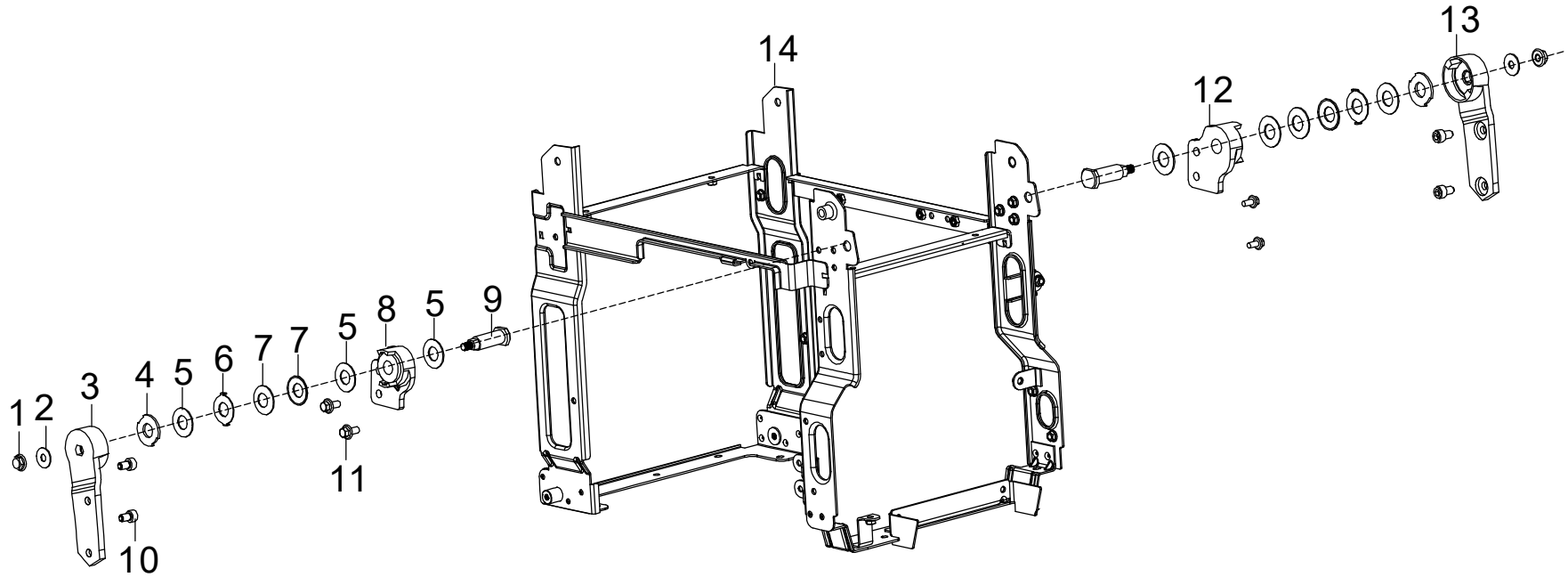


Figure E

FRAME ASSEMBLY PARTS LIST

#	Part Number	Description	Qty.
1	90341-Y2D0210-00A0	Nylon Nut, M6, White Zinc	2
2	90408-Y840210-00A0	Flat Washer, Ø18 x 6.5 x 1.5, White Zinc	2
3	54122-YBW0111-H7A0	Handle Tube Connecting 2, Left Seat	1
4	90412-YBW0110-Q200	Flat Washer, Ø12.2 x 27 x 2	2
5	90412-YBW0210-01A0	Flat Washer, Ø13 x 25 x 1, White Zinc	6
6	94101-YBW0110-01A0	Position Block, White Zinc	2
7	90419-YBW0110-0300	Washer, Butterfly, Black Zinc	4
8	54113-YBW0121-00A0	Handle Tube Connecting 1, Left Seat	1
9	26231-YBW0110-00A0	Shaft, Fixed Axis, Black Zinc	2
10	90001-0610-03	Hexagon Flange Bolt, M6 x 10, Black Zinc	4
11	90001-0616-01A0	Hexagon Flange Bolt, M6 x 16, White Zinc	4
12	54113-YBW0221-00A0	Handle Tube Connecting 1, Right Seat	1
13	54122-YBW0211-H7A0	Handle Tube Connecting 2, Right Seat	1
14	51100-YJR0110-H7A0	Frame Assembly	1

FUEL TANK DIAGRAM

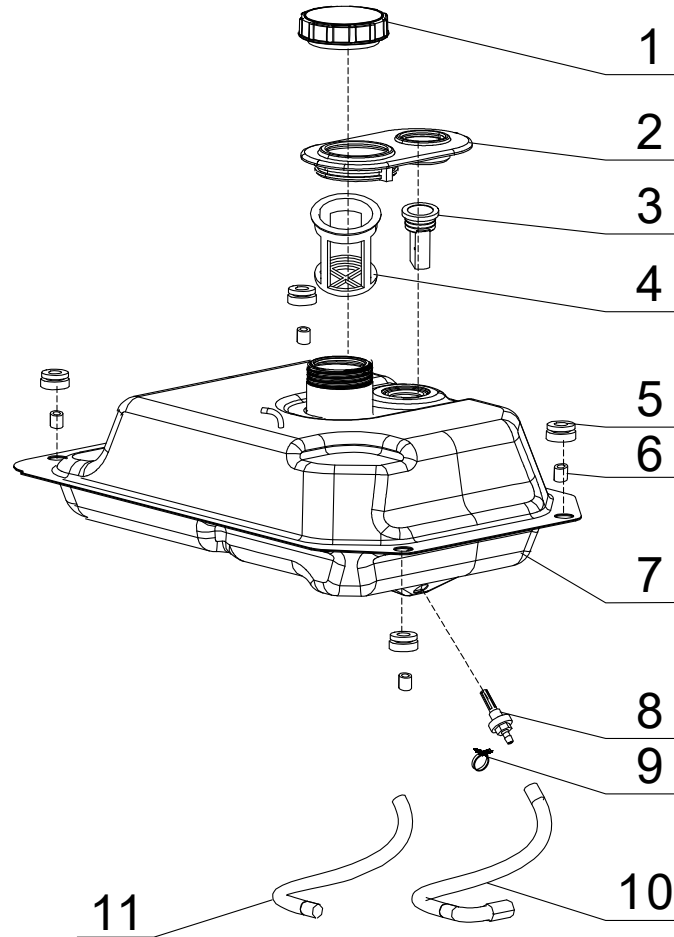


Figure F

FUEL TANK PARTS LIST

#	Part Number	Description	Qty.
1	16730-YH30110-Q2A0	Fuel Tank Cap	1
2	16641-YBW0110-0001	Rubber Sleeve, Filling Fuel Hole	1
3	37200-Y5V0110-00A1	Fuel Gauge	1
4	16652-Y9T0110-00A1	Fuel Filter	1
5	16601-Y020120-0001	Vibration Mount 1, Fuel Tank	4
6	90683-Y020110-0000	Bushing, White Zinc	4
7	16620-YBW0111-H7A1	Fuel Tank, 8.5L	1
8	16680-Y2P0110-00A1	Fitting, Fuel Tank	1
9	90685-D095-0EA0	Clamp, Ø9.5 x 0.8 x 8, Army Green Zinc	1
10	90686-YBW0210-00M1	Fuel Tube, Carburetor, Ø4.5 x Ø8.5 x 130	1
11	30431-Y020110-0001	Rubber Sleeve, Fuel Tube	1

CONTROL PANEL DIAGRAM

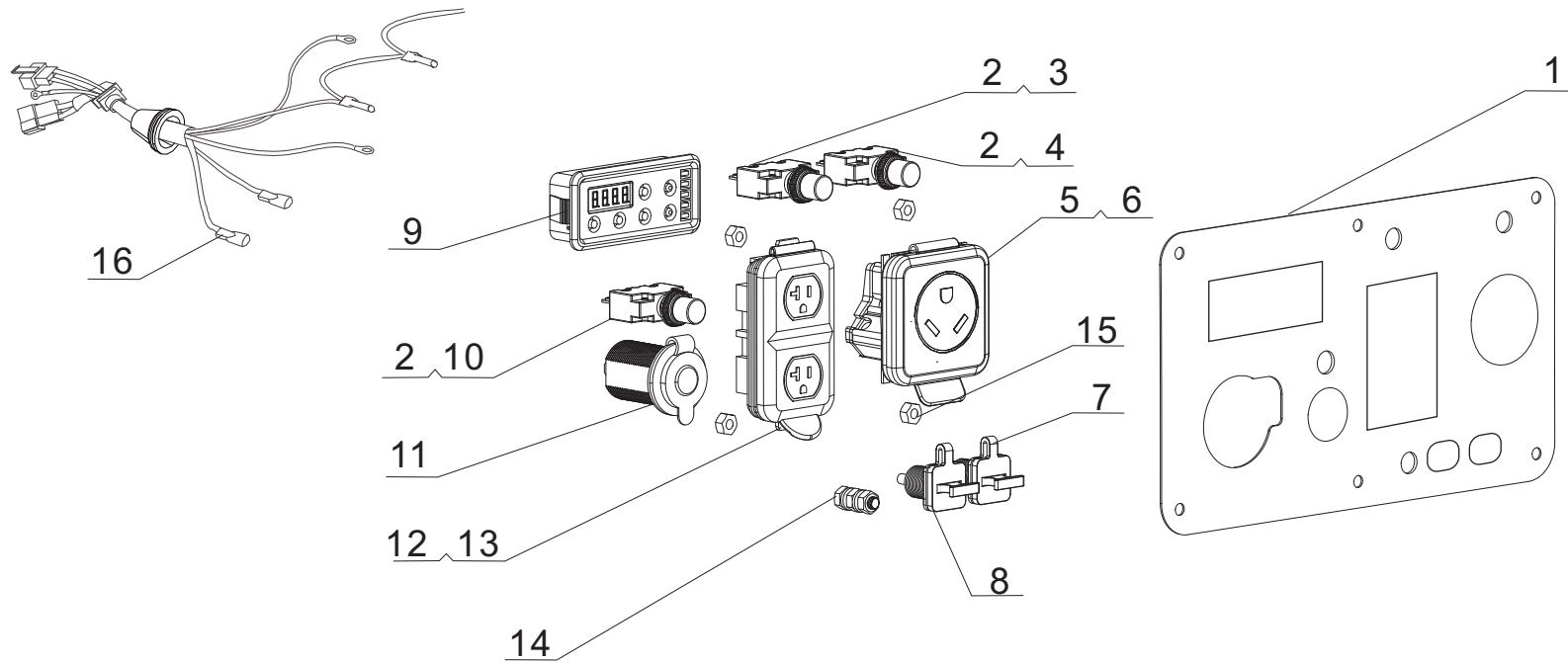


Figure G

CONTROL PANEL PARTS LIST

#	Part Number	Description	Qty.
1	35650-YJR0110-H200	Control Panel	1
2	35654-YGK0110-0000	Cover, Push Button	3
3	31234-YBE0210-0000	20Amp Circuit Breaker, Push Button	1
4	31234-YGK0110-0000	30Amp Circuit Breaker, Push Button	1
5	35654-YGK0310-0000	Receptacle Cover, TT-30R	1
6	35614-Y2D0110-0000	TT-30R Receptacle, 30A, 125V	1
7	35614-YH30410-0000	Wireless Parallel, Receptacle, 40A, 250V, Black Cover	1
8	35614-YH30310-0000	Wireless Parallel, Receptacle, 40A, 250V, Red Cover	1
9	35632-YHV0110-0000	Multifunctional Display	1
10	31234-YBE0110-0000	8Amp Circuit Breaker, Push Button	1
11	35619-Y110110-0000	Automotive Receptacle, 12V DC	1
12	35654-YBE0110-0000	Receptacle Cover, 5-20R	1
13	35614-Y730110-0000	5-20R Duplex Receptacle, 20A, 125V	1
14	35629-Y090110-0000	Grounding Terminal	1
15	90305-0400-71A0	Hexagon Flange Nut, M4, White Zinc	4
16	35610HYJR0110-0000	Wire Harness Assembly, Control Panel	1

WHEEL KIT DIAGRAM

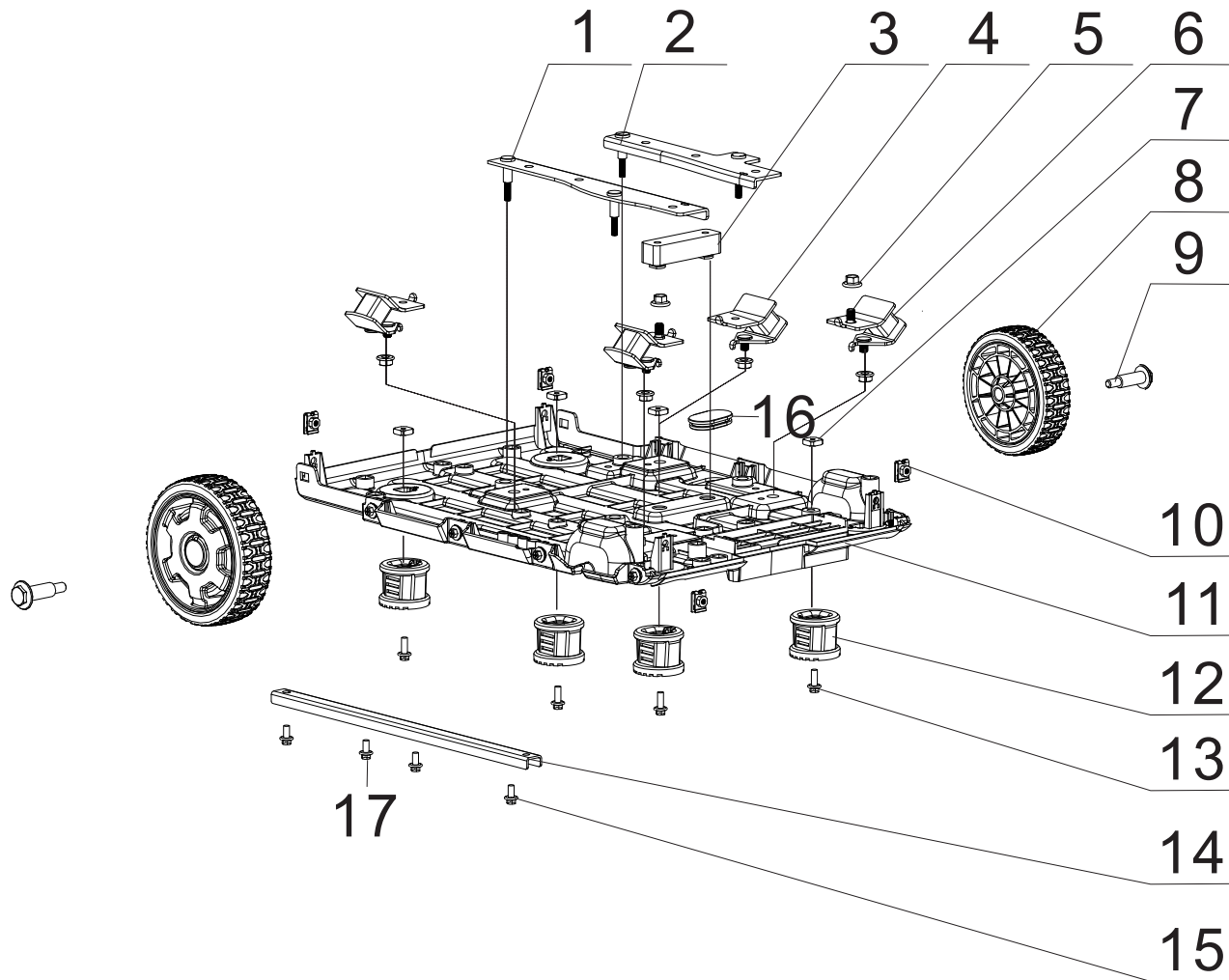


Figure H

WHEEL KIT PARTS LIST

#	Part Number	Description	Qty.
1	51188HYBW0110-H6A0	Left Support, Engine	1
2	51189HYBW0110-H6A0	Right Support, Engine	1
3	50035-YBW0110-0001	Bracket, Cushion Rubber	1
4	51011HY2P0210-0000	Vibration Mount, Right, Frame	2
5	90305-0800-31A0	Hexagon Flange Nut, M8, White Zinc	6
6	51009HY2P0110-0000	Vibration Mount, Left, Frame	2
7	90326-Y2V0110-00A0	Square Nut, M6, White Zinc	6
8	44110HYH30110-L401	5in. Wheel, Yellow	2
9	42002-YH30110-0300	Roll Pin, M8×15, Black Zinc	2
10	17199-YB00110-00A0	Clip Nut, M5, White Zinc	4
11	51143HYBW0111-Q201	Plate, Bottom	1
12	51014HYBW0110-0001	Support Leg	4
13	90001-0616-01A0	Hexagon Flange Bolt, M6 x 16, White Zinc	4
14	51103-YJR0110-H7A0	Reinforcing Plate	1
15	90001-0612-01A0	Hexagon Flange Bolt, M6 x 12, White Zinc	2
16	90722-Y2P0110-0001	Plug 2, End	1
17	90007-0610-A1A1	Hexagon Flange Bolt, M6 x 10, White Zinc	2

WIRING DIAGRAM

THIS CIRCUIT DIAGRAM IS ONLY FOR REFERENCE, IF ANY CHANGE, THERE WILL BE WITHOUT NOTICE.

