



MODEL #200963

PARTS INFORMATION

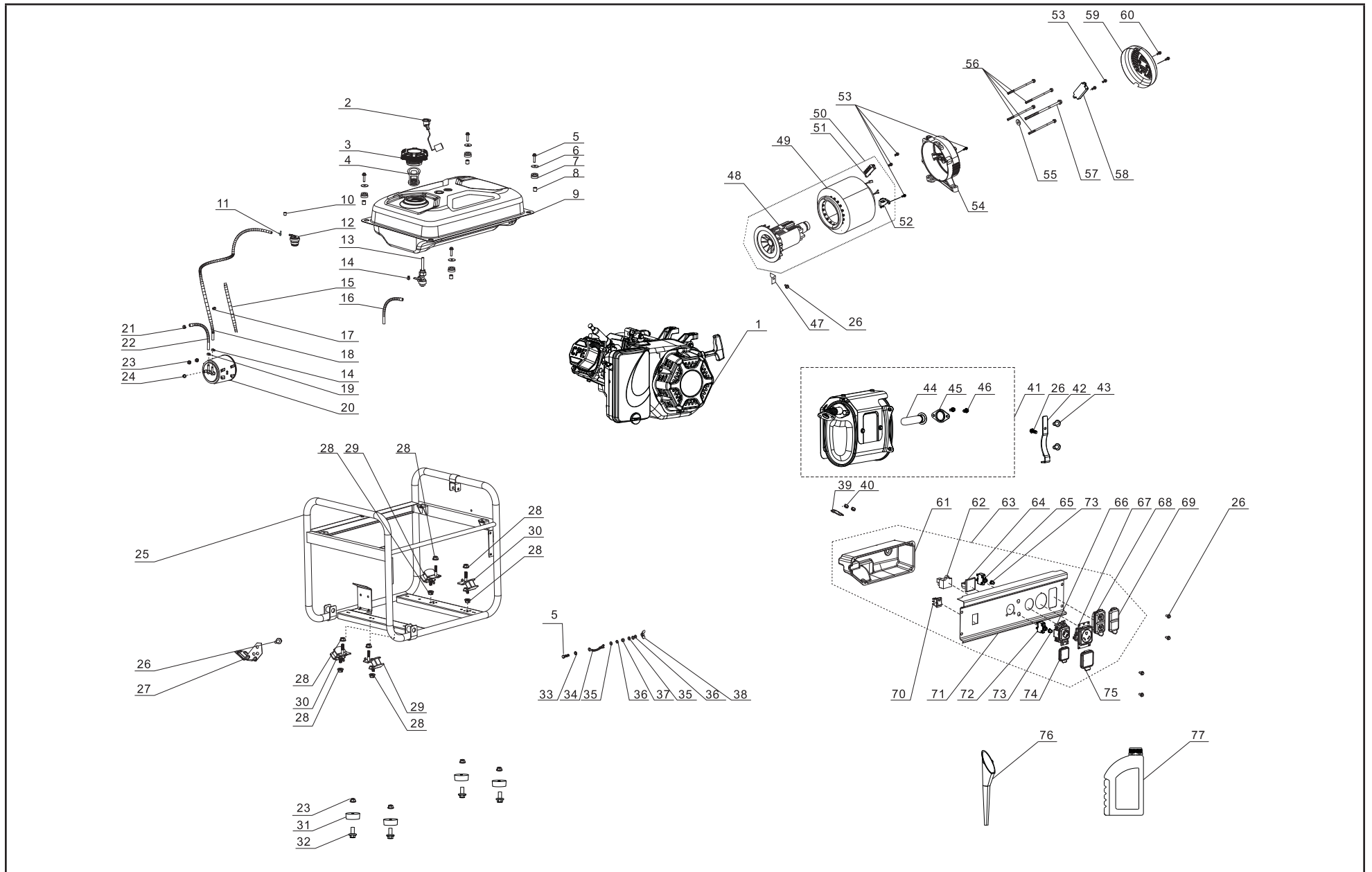
3500W PORTABLE GENERATOR

SERIAL NUMBER RANGE: ALL

TABLE OF CONTENTS

Generator Parts Diagram	3
Generator Parts List	4
Engine Parts Diagram	6
Engine Parts List	7
Wiring Diagram	9

GENERATOR PARTS DIAGRAM



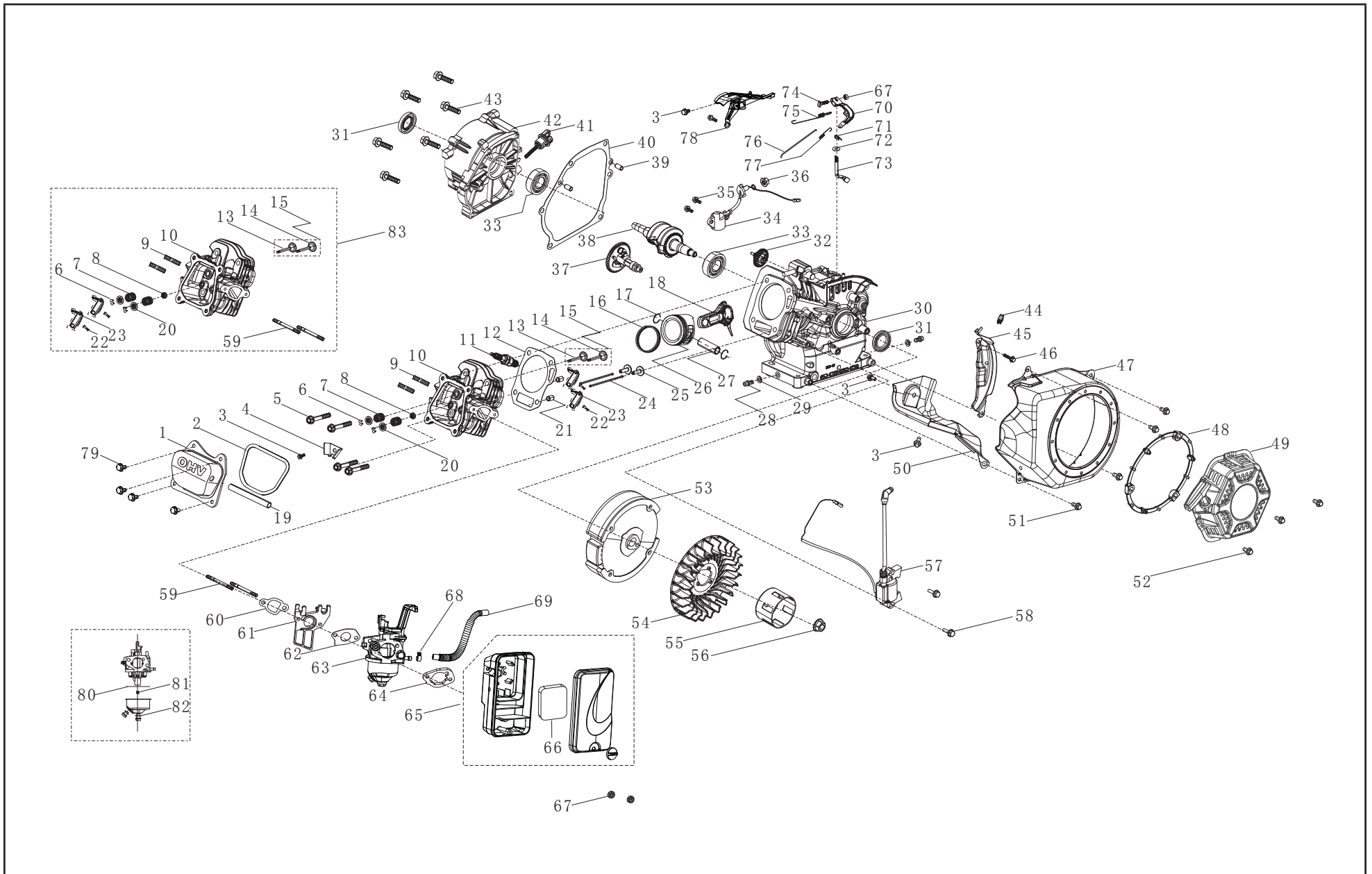
GENERATOR PARTS LIST

#	Part Number	Description	Qty.
1	R210MV000FB-CMP302	Engine, 212cc, R210-V	1
2	37200-YGK0110-00A0	Fuel Gauge	1
3	16730-YGM0110-00A0	Fuel Tank Cap	1
4	16652-YGM0110-00A0	Fuel Filter	1
5	90001-0625-0305	Flange Bolt, M6 x 25, Black Zinc	5
6	90408-Y020110-0005	Flat Washer, Ø6, Black Zinc	4
7	16601-Y020120-0001	Vibration Mount, Fuel Tank	4
8	90683-Y020110-0005	Bushing, Blue White Zinc	4
9	16620-YGK0110-L4A0	Fuel Tank, 17.8L	1
10	90698-Y1Z0110-0001	Protective Rubber Sleeve	1
11	90740-Z010610-00A1	Clamp, Ø9	1
12	15150-YGK0110-00A0	One Way Valve	1
13	16750-Y020211-0001	Fuel Valve Assembly	1
14	90685-Z030610-0300	Clamp, Ø8	2
15	30431-YCM0310-0001	Rubber Sleeve, Ø9.5 x Ø11 x 150	1
16	30431-Y020110-0001	Rubber Sleeve, Fuel Pipe	1
17	90685-YB00110-Q200	Clamp	1
18	16804-YGK0110-0000	Connection Pipe, Ø4.5 x Ø8.5 x 785	1
19	90685-Z020110-0300	Clamp, Ø9.5 x 8 x 0.8	1
20	16801-YGK0110-00A0	Carbon Canister, 400 cc	1
21	90685-Z030410-0300	Clamp, Ø10.7 x 8 x 0.6	1
22	16805-YGK0110-0000	Connection Pipe, Air Cleaner	1
23	90305-0600-0302	Flange Nut, M6, Black Zinc	6
24	30351-YGK0110-00A0	Cover, Carbon Canister	1
25	51100-YGK0310-H2A0	Frame Assembly	1
26	90001-0612-0305	Flange Bolt, M6 x 12, Black Zinc	7
27	17003-Y110130-0001	Air Cleaner Support	1
28	90305-0800-3305	Flange Nut, M8, Black Zinc	8
29	51011HY020120-0000	Vibration Mount 2, Frame	2
30	51005HY020120-0000	Vibration Mount 1, Frame	2

#	Part Number	Description	Qty.
31	51014HY020120-00A0	Support Leg	4
32	90001-0612-0305	Flange Bolt, M6 x 12, Black Zinc	4
33	90415-0600-Z301	Lock Washer, Toothed, Black Zinc	1
34	30009-Y910110-0001	Grounding Wire	1
35	90408-0600-E305	Flat Washer, Black Zinc	3
36	90403-0600-0305	Spring Washer, Black Zinc	2
37	90303-0600-3305	Flange Nut, M6, Black Zinc	1
38	90312-0600-0301	Wing Nut, M6, Black Zinc	1
39	18001-Z950110-00A0	Exhaust Outlet Gasket	1
40	90303-0800-3305	Flange Nut, M8, Black Zinc	2
41	18100-YH90110-00A0	Muffler Assembly	1
42	18030-Y020110-H3A1	Muffler Bracket	1
43	90001-0816-0305	Flange Bolt, M8 x 16, Black Zinc	2
44	18250-YGK0210-0000	Spark Arrestor	1
45	18255-YGK0110-0000	Decorated Cover, Spark Arrestor	1
46	90001-0510-03	Flange Bolt, M5 x 10, Black Zinc	2
47	30023-Y020110-0900	Stopper, Motor Right Cover	1
48	31330-YHB0110-0000	Rotor, AL, D160 x 130	1
49	31310-YGK0210-0000	Stator, AL, D160 x 130	1
50	31300-YGK0310-0000	Alternator Assembly, AL, D160 x 130	1
51	31303HY020110-0000	Terminal Block	1
52	31320-YGK0110-0000	Carbon Brush Subassembly	1
53	90001-0516-0105	Flange Bolt, M5 x 16, Blue White Zinc	6
54	30021-Y020310-00A0	End Housing	1
55	90408-Y020210-0001	Flat Washer, Black Zinc	1
56	30048-YE30110-0900	Bolt M6 x 174, Stator	4
57	30049-YE30110-0001	Bolt M8 x 230, Rotor	1
58	30060-YGK0110-0000	AVR	1
59	30022-YGK0110-L400	Cover, End Housing, Yellow	1
60	90001-0512-0301	Flange Bolt, M5 x 12, Black Zinc	2

#	Part Number	Description	Qty.
61	35601-YGK0110-0000	Rear Case, Control Panel	1
62	30008-YGK0110-0000	Control Module	1
63	35610-YGK0110-H200	Control Panel Assembly	1
64	35632-YGK0110-0000	Intelligauge, VFT-2	1
65	31234-YBE0210-0000	Circuit Breaker, Push Button, 20A	1
66	35614-Y4D0110-0000	L5-30R Receptacle, 30A, 125V	1
67	35614-Y2D0110-0000	TT-30R Receptacle, 30A, 125V	1
68	35614-Y730110-0000	5-20R Duplex Receptacle, 20A, 125V	1
69	35654-YBE0110-0000	Receptacle Cover, 5-20R	1
70	35160-Y450110-0000	Switch, Engine	1
71	35650-YGK0110-H200	Control Panel	1
72	31234-YGK0110-0000	Circuit Breaker, Push Button, 30A	1
73	35654-YGK0110-0000	Cover, Push Button	2
74	35654-YGK0210-0000	Receptacle Cover,L5-30R	1
75	35654-YGK0310-0000	Receptacle Cover, TT-30R	1
76	93106-Z010110-0001	Oil Funnel	1
77	15300-YGK0110-00A0	Bottle of Engine Oil, 0.5L	1

ENGINE PARTS DIAGRAM



ENGINE PARTS LIST

#	Part Number	Description	Qty.
1	12410-Z950210-01A0	Cylinder Head Cover Subassembly, Blue White Zinc	1
2	12004-Z950410-0000	Cylinder Head Cover Gasket	1
3	90001-0610-03	Hexagon Flange Bolt, M6 x 10, Black Zinc	5
4	12419-Z950210-0000	Pin Stopper Plate, Cylinder Head Cover	1
5	12003-Z010310-0000	Cylinder Head Bolt, M8 x 60, Black Zinc	4
6	12109-Z810110-0000	Valve Lock Clamp	4
7	12103-Z010110-0000	Valve Spring	2
8	12101-Z810210-0000	Seal Guide	1
9	90203-Z010110-0000	Stud, M8 x 34, Black Zinc	2
10	12140-Z950210-0BA0	Cylinder Head Subassembly	1
11	30010-Z010110-0000	Spark Plug, F6RTC	1
12	12131-Z950210-0000	Cylinder Head Gasket	1
13	12121-Z950110-00000	Exhaust Valve	1
14	12111-Z950110-0000	Inlet Valve	1
15	12110-Z950110-0000	Valve Set	1
16	13200-Z140210-00A9	Piston Ring Assembly	1
17	13122-Z010110-0000	Piston Pin Clip	2
18	13010-Z950110-00A0	Connecting Rod	1
19	17004-Z010310-0001	Tube, Breather, Ø8 x Ø12 x 95	1
20	12112-Z810210-0000	Valve Spring Retainer	2
21	90502-1114-00	Pin, 11 x 14	2
22	14318-Z950110-0000	Rocker Shaft Assembly	2
23	14310-Z950110-0000	Valve Rocker Assembly	2
24	14071-Z950110-0000	Valve Lifter	2
25	14081-Z040110-0000	Valve Tappet	2
26	13111-Z950120-00A0	Piston	1
27	13121-Z010110-0000	Piston Pin, Ø18 x Ø54	1

#	Part Number	Description	Qty.
28	11007-Z010310-0000	Drain Plug Bolt, M10 x1.25 x15, Black Zinc	2
29	90408-Z010510-0000	Washer, Ø10 x Ø15.8 x 1.5	2
30	11310-Z531010-0BA0	Crankcase Subassembly	1
31	90682-Z300110-0001	Oil Seal, Ø25 x Ø41.25 x 6	2
32	16400-Z0X0110-00A0	Governor Gear Assembly	1
33	90547-0205-00	Bearing	2
34	37060-Z010120-0001	Engine oil Sensor, W/O Nut	1
35	90001-0614-01	Hexagon Flange Bolt, M6 x 14, Blue White Zinc	2
36	90305-Z010210-0300	Hexagon Flange Nut, M10, Black Zinc	1
37	14200-Z950210-0000	Camshaft Assembly	1
38	13300-Z950111-00A0	Crankshaft Assembly	1
39	90502-0912-00	Pin, 9 x 12	2
40	11001-Z440110-00A0	Crankcase Gasket	1
41	15010-Z2M0110-L400	Oil Dipstick Subassembly	1
42	11411-Z530111-0BA0	Crankcase Cover	1
43	90001-0832-03	Hexagon Flange Bolt, M8 x 32, Black Zinc	6
44	90740-Z010110-0001	Clamp	1
45	19340-Z010810-0100	Lower Shield, Blue White Zinc	1
46	90001-0616-01	Hexagon Flange Bolt, M6 x 16, Blue White Zinc	1
47	28110-Z200710-L400	Shroud	1
48	28261-Z2M0110-0001	Retainer Ring, Recoil Starter	1
49	28200-Z141010-H200	Recoil Starter Assembly	1
50	19304-Z950120-0001	Cylinder Body Shroud	1
51	90001-0612-03	Hexagon Flange Bolt, M6 x 12, Black Zinc	4
52	90251-0618-03	Bolts With Washer, Black Zinc	3

#	Part Number	Description	Qty.
53	13510-Z440410-0000	Flywheel Subassembly	1
54	19352-Z440110-0001	Impeller	1
55	28002-Z0L0110-0000	Starter Pulley, Blue White Zinc	1
56	13501-Z010110-0000	Flywheel Nut, M14 x 1.5, Blue White Zinc	1
57	30400-Z440410-0001	Ignition Coil	1
58	90001-0625-01	Hexagon Flange Bolt, M6 x 25, Blue White Zinc	2
59	90204-Z010210-0000	Stud, M6 x 96, Black Zinc	2
60	16002-Z950110-0000	Carburetor Insulator Gasket	1
61	16003-Z950110-0000	Carburetor Insulator Plate	1
62	16001-Z010110-0000	Carburetor Gasket	1
63	16100-Z950510-00M0	Carburetor Assembly	1
64	17001-Z010210-0000	Air Cleaner Gasket	1
65	17100-Z0X0110-0001	Air Cleaner	1
66	17151-Z300310-0000	Element, Air Cleaner	1
67	90305-0600-33	Hexagon Flange Nut, M6, Black Zinc	3
68	90685-Z030610-01A1	Clamp, Ø8 x 7 x 0.6	1
69	90686-Z010810-00M1	Fuel Pipe, Ø4.5 x Ø8.5 x 140	1
70	16070-Z010110-0001	Governor Support Subassembly, Blue White Zinc	1
71	90501-Z010110-0001	Pin, Blue White Zinc	1
72	90408-Z010210-0000	Washer, Ø6.2 x Ø15 x 0.6	1
73	16061-Z010110-0000	Governor Arm	1
74	16072-Z010310-0000	Governor Support Bolt, M6 x 21, Black Zinc	1
75	16063-Z010310-0100	Spring, Governor	1
76	16062-Z010210-0100	Governor Rod, Blue White Zinc	1
77	16012-Z010310-0000	Throttle Valve Returning Spring	1
78	16520-Z4A0110-0000	Throttle Control Assembly, Blue White Zinc	1
79	90001-0612-0101	Hexagon Flange Bolt, M6 x 12, Blue White Zinc	4

#	Part Number	Description	Qty.
80	16112-Z010110-0000	Seal Ring, Float	1
81	16161-Z151910-0000	Main Jet, Standard	1
	16161-Z151610-0000	Main Jet, Altitude 3000-6000 Feet	1
	16161-Z151310-0000	Main Jet, Altitude 6000-8000 Feet	1
82	90681-Z010610-0000	Seal Ring	1
83	QGT-R210-V-001	Cylinder Head Subassembly	1

WIRING DIAGRAM

