

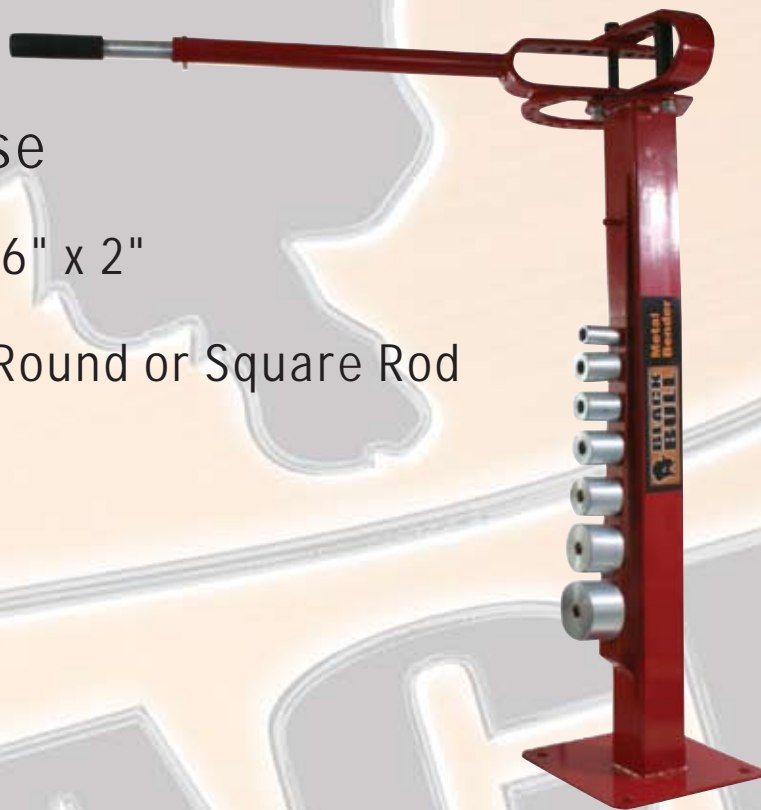


Space Saver  
**Metal Bender**

Versatile & Easy-To-Use

Bends 5/16" x 1-1/4" or 3/16" x 2"

Mild Steel & 5/8" (1.6cm) Round or Square Rod



**Includes 7 Round Dies**



**Easily Make Duplicate Parts In Your Shop**



**44 Inch (111cm) Telescoping Handle**

Pkg Type: Color Label

Item No.	Case Wt. Lbs.	Cubic Ft.	Case Qty.	Pallet Qty
PBENDSS	57.0 lbs	2.12	1	25