

DWHOIST

Drywall Hoist

Assembly & Operating Instructions



READ ALL INSTRUCTIONS AND WARNINGS BEFORE USING THIS PRODUCT.

SAVE THESE INSTRUCTIONS FOR FUTURE REFERENCE.

This manual provides important information on proper operation and maintenance. Every effort has been made to ensure the accuracy of this manual. We reserve the right to change this product at any time without prior notice.

STOP! CONTACT CUSTOMER SERVICE WITH QUESTIONS OR PROBLEMS.

DO NOT RETURN THIS PRODUCT TO THE RETAILER.

TABLE OF CONTENTS

RECOGNIZE SAFETY SYMBOLS, WORDS AND LABELS	2
GENERAL PRODUCT SPECIFICATIONS	3
FEATURES	3
PACKAGE CONTENTS	3
SPECIFICATIONS	3
IMPORTANT SAFETY RULES	4
OPERATION	5
PARTS DIAGRAM	11
PARTS LIST	12

RECOGNIZE SAFETY SYMBOLS, WORDS AND LABELS

What You Need to Know About Safety Instructions

Warning and Important Safety Instructions appearing in this manual are not meant to cover all possible conditions and situations that may occur. Common sense, caution and care must be exercised when assembling or using this product.

Always contact your dealer, distributor, service agent or manufacturer about problems or conditions you do not understand.



This is a safety alert symbol. It is used to alert you to potential personal injury hazards. Obey all safety messages that follow this symbol to avoid possible injury or death.



This is a safety alert symbol. It is used to alert you to potential personal injury hazards. Obey all safety messages that follow this symbol to avoid possible injury or death.

GENERAL PRODUCT SPECIFICATIONS

FEATURES

- All Welded Steel Construction
- Rolling Casters

PACKAGE CONTENTS

Tripod Base
Frame Assembly
Cradle Assembly
2-pieces Crossarm Assemblies

SPECIFICATIONS

- 150 Lb Max Capacity
- Sheet Quantity Capacity – 1 piece MAX
- Holds Panels Up To 4 feet x 16 feet MAX
- Raises up to 11 Feet High MAX
- Loading Height 34 Inches



KEEP THIS MANUAL, SALES RECEIPT & APPLICABLE WARRANTY FOR FUTURE REFERENCE. READ ALL INSTRUCTIONS AND WARNINGS BEFORE USING THIS PRODUCT.

FOR CONSUMER USE ONLY – NOT FOR PROFESSIONAL USE

IMPORTANT SAFETY RULES

COMMON SENSE AND CAUTION ARE FACTORS WHICH CANNOT BE BUILT INTO ANY PRODUCT. THESE FACTORS MUST BE SUPPLIED BY THE OPERATOR.

WARNING

Keep the work area clean and well lit. A cluttered work area may cause accidents.

Never allow children to use this product without responsible adult supervision. When operating this product, keep children at a safe distance from the work area.

WARNING

Wear suitable clothing. Do not wear loose clothing or jewelry. They may get caught in moving parts. Never wear rings with protruding parts. Wear a hat over long hair.

Always wear safety goggles, a hard hat and work gloves when using the product.

WARNING

When not in use, store product in a secure, dry and safe place. The storage area should be lockable and out of the reach of children.

Use a product designed for the job being performed. Never use this tool for anything other than its intended purpose.

Maintain this product with care. This product works best and safest if it is kept clean. Observe the instructions for maintenance and changing accessories. Keep dry and free of oil and grease.

WARNING

Stay alert. Do not use this product when impaired by medicine, drugs, or alcohol. Watch what you are doing and use common sense for your safety.

Before using this tool, check that all safety devices and parts operate smoothly and efficiently. Make sure that all moving parts are in working order. Do not use the hoist with broken or damaged parts.

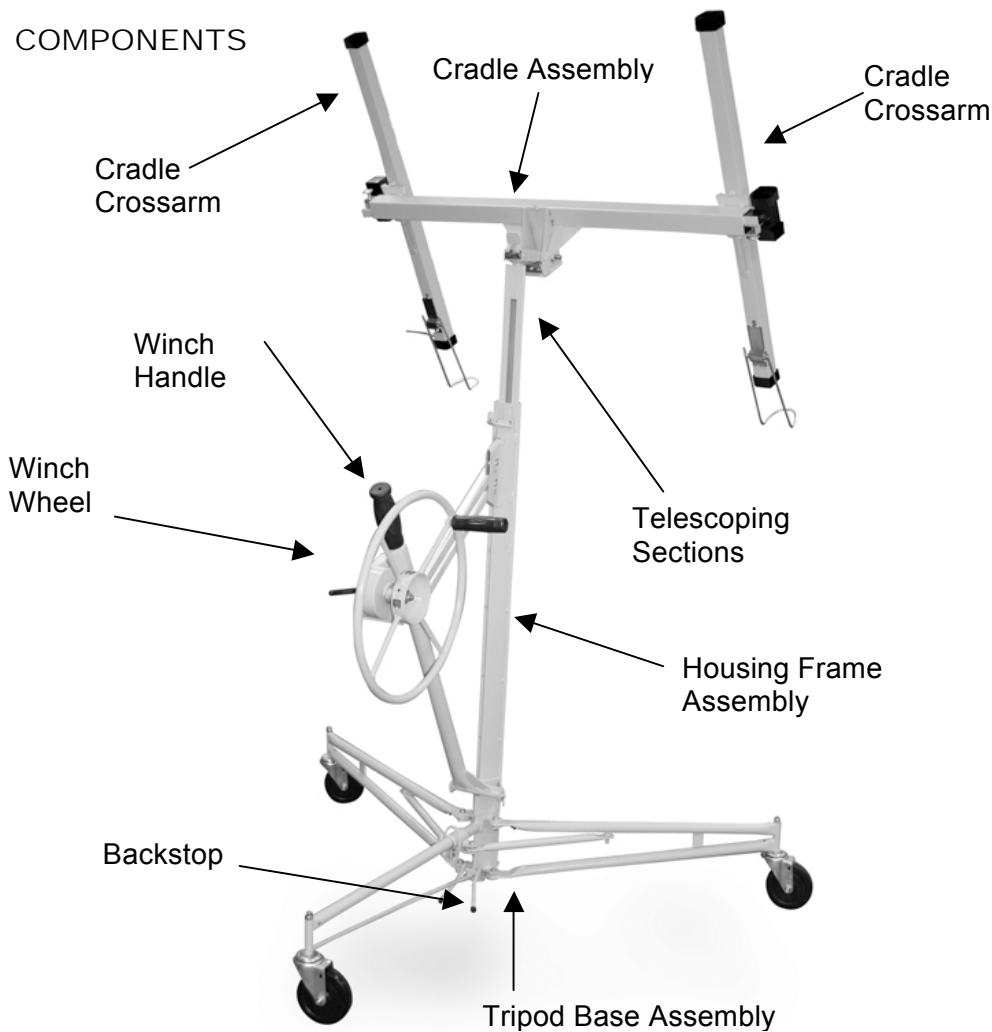
WARNING

For your own safety, use only accessories recommended in this manual.

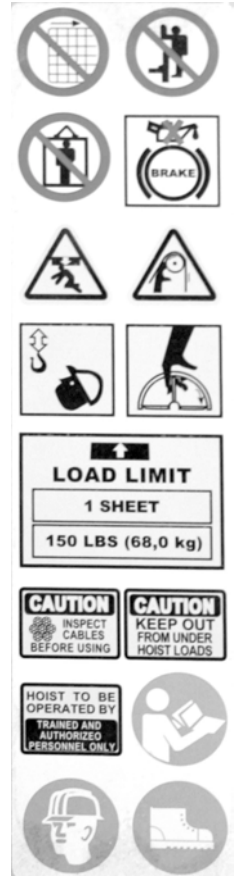
Service must be performed by qualified repair personnel. Service or maintenance performed by unqualified personnel could result in a risk or injury.

When servicing a tool, use only identical replacement parts. Use of unauthorized parts or failure to follow maintenance instructions may create a risk of injury.

COMPONENTS



Read & Obey All Warning Labels



OPERATION

WARNING

Maximum weight usage is 150 pounds. Do not lift beyond that load.

Inspect the unit carefully before use. Determine that the cable is not kinked, frayed or damaged.

Drywall Hoist should be at room temperature when in use. Moving a cold Drywall Hoist into a warm room can create condensation and affect the winch brake.

Do not use the Lift arm if either crossarm support is not secured by locking spring tab.

Use on a flat, level surface. Do not release the load on a slope or uneven surface.

Watch for overhead fixtures. Keep area free when lifting overhead.

Be certain the Brake Drum is dry and clean when operating.

Before operating, check the drywall hoist and inspect the cable before use. A worn, damaged or improperly installed cable can fail resulting in a sudden and rapid lowering of the hoist and the load and possibly resulting in serious property damage, serious bodily injury and/or death.

Keep guards in place and in working order. Both crossarms should be secured by the locking spring tabs, and the slide bar lock is fully engaged when winch is extended.

NOTE

Unpack product from package and review contents. Keep all packaging until product has been reviewed. This product should be inspected prior to use to make certain all parts are intact and safe to use after assembly.

ASSEMBLY

WARNING

Keep the work area clean and well lit. A cluttered work area may cause accidents.

Never allow children to use this product without responsible adult supervision. When operating this product, keep children at a safe distance from the work area.

WARNING

Wear suitable clothing. Do not wear loose clothing or jewelry. They may get caught in moving parts. Never wear rings with protruding parts. Wear a hat over long hair.

Always wear safety goggles, a hard hat and work gloves when using the product.

Make sure all parts are available before assembly: Tripod assembly, frame assembly (winch and 4 foot telescoping lift sections), cradle assembly (without crossarms) and two cradle crossarms.

1. Set up the tripod base on the floor. Gently press firmly up on the slide yoke ring while you swing the two forward legs until the yoke ring snaps into the lock hole on the bottom of the slide tube. (Lower the backstop to prevent rolling.)
2. Place the frame onto the two “V” angles on the tripod base, then lower the frame 1 inch until it is secured by the angles. Be certain that the frame is press down and held securely by the angles.
3. Attach the handle to the winch wheel. Tighten the nut so that the handle turns freely.
4. To move the winch assembly into its working position, hold the winch wheel and brake arm. Rotate the winch wheel slightly forward. Lift the breake arm to release the brake.
5. Raise the brake arm. Hold the winch post and brake arm firmly. Place your right hand on top of the frame. Grip the brake arm to prevent cable backlash, then pull the winch assembly towards you.

Release the brake arm when the winch is fully extended. Swing the Retaining Hook (Figure G) so it doesn't secure the telescoping sections.

6. Press the winch assembly slightly toward the frame. This engages the slide bar lock and keeps the winch extended. **BE CERTAIN THE SLIDE BAR LOCK IS ROTATED AS FAR CLOCKWISE AS POSSIBLE.**

7. Attach cradle to the frame, by inserting the post into the opening on top of the frame.
8. Attach the cradle to the frame by snapping the tilt latch upward so it hooks over the stud.
9. Slide the tapered plates on the crossarms into the tapered sockets on the cradle.
10. Press each crossarm forward into the socket until the spring tab on the bottom of the crossarm snaps into place.



Tilt Latch
Figure F



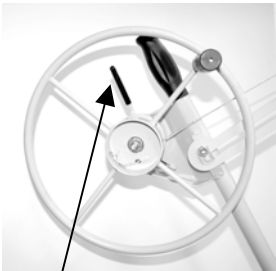
Tilt Latch
Figure F



Retaining Hook
Figure G



Cable Housing
Figure D



Brake Arm
Figure B



Winch Wheel
Figure C



Panel Support Hook
Figure H



Panel Support Hook
Figure H

PRODUCT USAGE

Slide the yoke ring to unlatch the two forward legs so they can be rotated out to the lift's working position or in to its storage position. A spring-loaded pin snaps into a hole on the bottom of the slide tube, to lock the legs.

To prevent the base from rolling, move the backstop up or down. (Figure J)

The outriggers extend to support a longer drywall panel.

Pull out the lock pin (Figure K) until you can slide the outrigger with your left hand. The lockpin will engage to lock the outrigger in one of the three notches: retracted 100%, extended 21 inches or extended 33 inches.

DO NOT LOAD A DRYWALL PANEL IF THE LOCK PINS ARE NOT ENGAGED IN ONE OF THE THREE POSITIONS.

Open the panel support hook on each crossarm to support the drywall panel when it is being loaded. Always close the support hooks before transporting the lift.

The slide bar lock holds the winch assembly at the fully extended position.

Tilt Latch

To raise the panel or allow the cradle to tilt, pivot the Tilt Latch (Figure F) out and down. To lock the cradle onto the frame without tilting, pivot the latch up to engage the stud on the cradle.

Brake Arm

Spring-loaded brake holds the cradle at whatever height you raise it by cranking the winch wheel. To lower the cradle, control the backward rotation of the winch by grasping the wheel handle as you carefully raise the Brake Arm to release the brake. (Figure B)

Winch Wheel, Handle and Post (Figure C)

Cranking the winch coils or uncoils the cable that raises or lowers the cradle. Grasp the post for leverage when cranking the winch.

Retaining Hook (Figure G)

The retaining hook secures the telescoping sections inside the frame when transporting or storage.

Before Operating

To Load the Drywall

Set the backstop so the lift won't roll backward. (Figure J)

Swing open the panel support hooks on the two crossarms. Be sure the cradle is turned so the support hooks are on the opposite side from the winch wheel.

Extend the crossarm outriggers on the cradle as needed to fully support the length of the drywall panel.

Release the tilt latch to tilt the cradle.

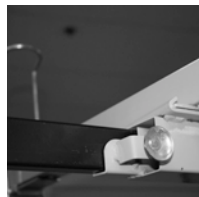
Hold the drywall panel with its face paper toward the tilted cradle, and load the panel onto the lift. Set the panel onto the Support Hooks (H), and lean it against the crossarms.

If installing the panel on a flat ceiling (Figure L), tilt the cradle back up to its level position and lock the tilt latch. If installing the panel on a side wall or a sloped ceiling (Figure M), leave the cradle tilted.

Figure J



Figure K



Raise the backstop on the base, and carefully roll the lift close to the position where the panel will be installed.

To Raise The Panel

Always lower the backstop before raising the panel to a sloped ceiling or side wall.

Hold the post for leverage and crank the winch wheel. The brake is spring-loaded to automatically hold the cradle at the selected height when you stop cranking.

To Lower The Panel

Hold the wheel handle so you can support the backward rotation of the winch.

Release the brake with your left hand and rotate the wheel SLOWLY backward.

To Disassemble

Crank the handle all the way down.

Slide the cradle outriggers until they latch. Close the panel support hooks.

Remove the crossarms by pressing the spring tab on the bottom and sliding the crossarm out of the socket.

Unlock the cradle tilt latch. Lift the cradle until you can remove it from the frame.

Rotate the winch wheel one full rotation forward as shown. This will raise the inner telescoping section.

Unlock the winch assembly by lifting the slide bar with your left hand. While you rotate the slide bar lock, turn it clockwise.

Hold the slide bar lock in the disengaged position. Press down on the telescoping section in the frame. The winch assembly will move toward the frame housing.

Hold the slide bar lock in this disengaged position and press down on the telescoping section in the frame with your left hand. The winch assembly will move toward the frame housing.

Crank the telescoping sections all the way down. Swing up the retaining hook as shown, and crank the telescoping sections back up slightly until secured by the hook.

Hold the retaining hook in this position with your left hand, and rotate the winch forward with your right hand.

The winch assembly will fold up against the frame. When the slide bar contacts the frame, tighten the cable by turning the wheel further (just enough to hold the winch assembly in this position.)

Lift the frame about 1 inch to free it from the tripod base.

Fold the base by pressing down on the slide yoke ring and pivot the forward legs until they lock in the closed position.

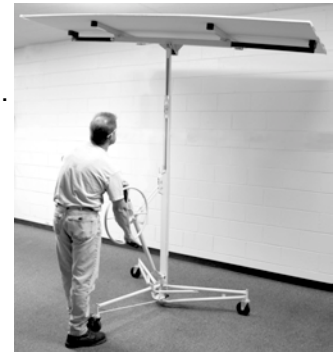


Figure L



Figure M

MAINTENANCE

CAUTION

Before and after using this tool, check the cable. Occasionally oil the cable sheaves and caster bearings. Crank up the telescoping sections for access to the internal cable pulley. If the telescoping sections of the frame don't operate smoothly, apply household paraffin to the sliding surfaces for smoother action.

Some chemicals can damage the product. Do not use harsh chemicals such as gasoline, carbon tetrachloride, paint thinner, etc. to clean this product.

CAUTION

A qualified repair technician must perform any service or repair. Service or maintenance performed by unqualified personnel could result in injury. Use only identical replacement parts. Use of unauthorized parts or failure to follow maintenance instructions may create a risk of injury.

Inspect the cable along the full length for kinks, frays or damage. A worn, damaged or improperly installed cable can fail resulting in a sudden and rapid lowering of the hoist and the load and possibly resulting in serious property damage, serious bodily injury and/or death.

Store under cover.

ACCESSORIES

Use only accessories that are recommended by the manufacturer for your model. Accessories that may be suitable for one tool may become hazardous when used on another tool.

Optional Extension Accessory is sold separately. Use it for higher ceilings to increase maximum lift to 15 feet.

For installation, remove the standard telescoping sections. Release the cable tension to loosen the cable from the mooring tab. Pull cable out through the hole in the winch drum.

Grab the top end of the two telescoping sections and lift them out of the frame housing. Pull the end of the cable toward the winch wheel to raise the sections.

Remove the sections and cable out of the frame housing.

To install the Extension accessory, feed the crimped end of the accessory cable down into the pocket.

THE CABLE MUST BE ROUTED OVER THE TOP OF THE PULLEY.

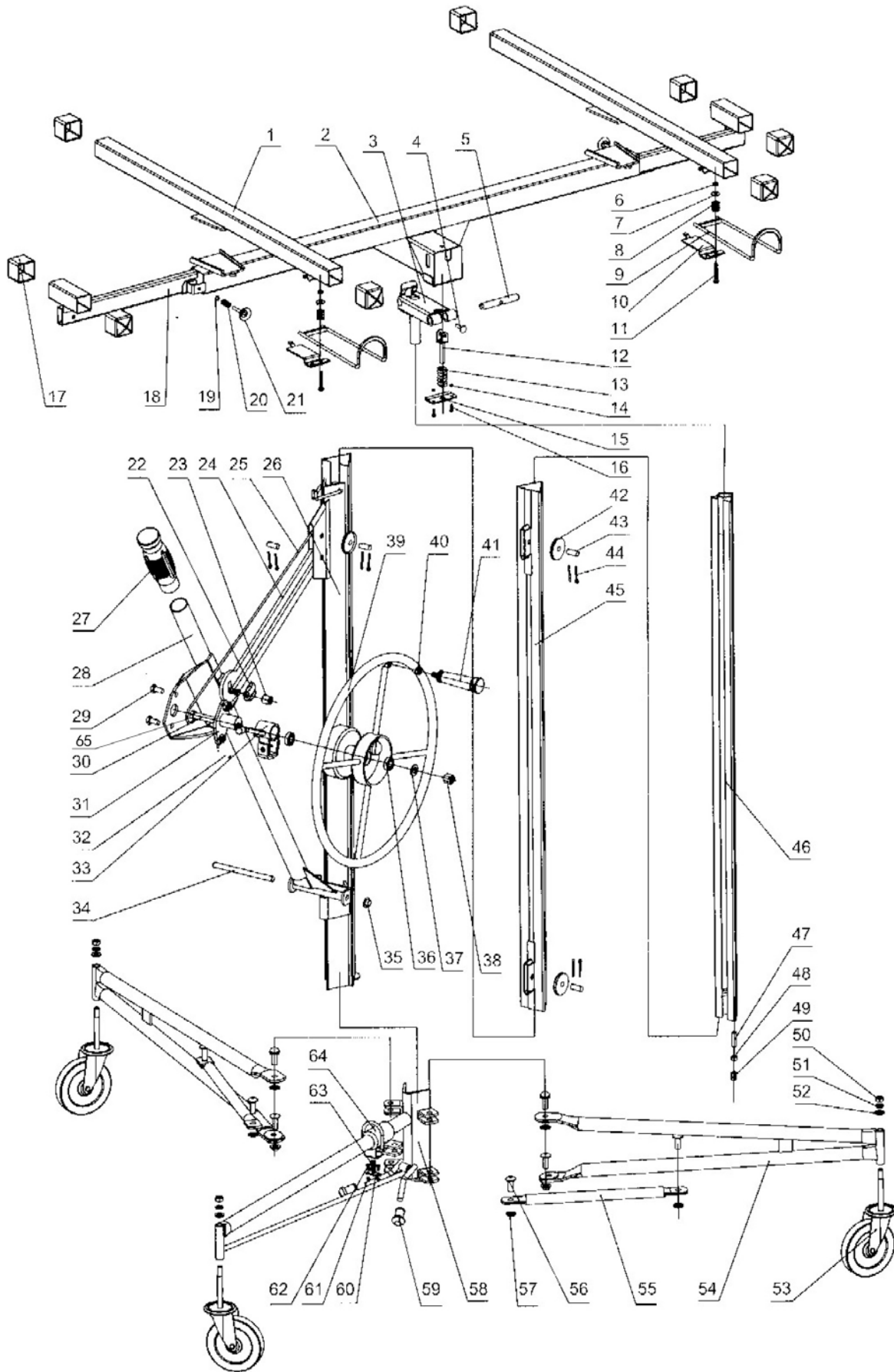
Pull the cable through the pocket, then slide the telescoping sections into the frame.

Feed the end of the cable under then around the winch hub, then through the hole into the winch drum.

Secure the crimped end of cable behind the mooring tab inside the drum. (Figure D)

Rotate the winch wheel forward and take up the cable slack.

PARTS DIAGRAM



PARTS LIST

#	Name	Qty	#	Name	Qty
1	Crossarm	2	33	Brake Arm	1
2	Cradle	1	34	Winch Post Axle	1
3	Mounting Head Body	1	35	Clip Cap	1
4	Screw	1	36	Bearing	2
5	Hinge Pin	1	37	Washer	1
6	Spring Washer	2	38	Nut	1
7	Washer	2	39	Winch Wheel	1
8	Tension Spring	2	40	Handle Nut	1
9	Support Hook	2	41	Handle	1
10	Hook Clamp	2	42	Cable Pulley	3
11	Screw	2	43	Pulley Axle	3
12	Yoke Pin	1	44	Split Pin	6
13	Tension Spring	1	45	Center Mast	1
14	Nut	2	46	Top Mast	1
15	Yoke Pin Braket	1	47	Rubber Bushing	1
16	Screw	2	48	Washer	1
17A	End Cap Large	4	49	Cable Clamp	1
17B	End Cap Small	4		Nut	3
18	Outrigger	2	50	Spring Washer	3
19	Clip	2	51	Washer	3
20	Tension Spring	2	52	Caster	3
21	Lock Pin	2	53	Outer Leg	2
22	Slide Bar Lock	1	54	Tie Arm	2
23	Nut	1	55	Pin	8
24	Slide Bar	1	56	Clip	8
25	Aircraft Cable, 1/8"	1	57	Center Leg	1
26	Outer Mast	1	58	Backstop Tip	2
27	Rubber Grip	1	59	Bracket Plate	1
28	Winch Post	1	60	Nut	2
29	Rivet	2	61	Screw	2
30	Bolt Shaft	1	62	Spring	1
31	Brake Hub	1	63	Slide Yoke Ring	1
32	Brake Arm Spring	2	64	Gasket	1