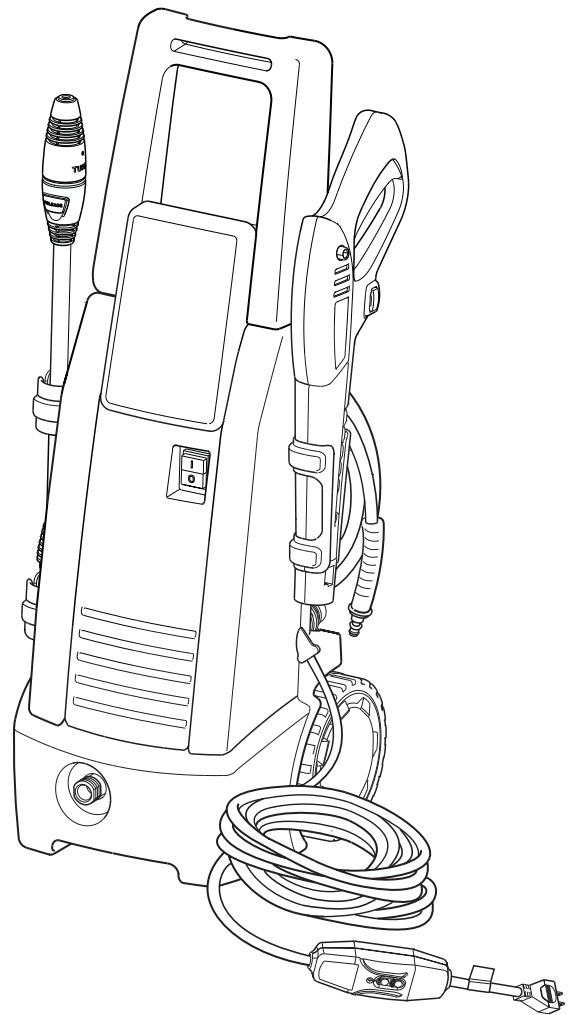




# Electric Pressure Washer OPERATOR'S MANUAL



This pressure washer is rated in accordance to the Pressure Washer Manufacturers Association (PWMA) standard PW101-2010 (Testing and Rating Performance of Pressure Washers).

**Thank you** for purchasing this quality-built Briggs & Stratton® electric pressure washer. We are pleased that you've placed your confidence in the Briggs & Stratton brand. When operated and maintained according to the instructions in this manual, your Briggs & Stratton electric pressure washer will provide many years of dependable service.

**This manual contains** safety information to make you aware of the hazards and risks associated with electric pressure washers and how to avoid them. Because Briggs & Stratton does not necessarily know all the applications this electric pressure washer could be used for, it is important that you read and understand these instructions thoroughly before attempting to start or operate this equipment. **Save these original instructions for future reference.**

**This electric pressure washer requires final assembly before use.** Refer to the *Assembly* section of this manual for instructions on final assembly procedures. Follow the instructions completely.

## Where to Find Us

You never have to look far to find Briggs & Stratton support and service for your electric pressure washer. Consult your Yellow Pages. There are over 30,000 Briggs & Stratton authorized service dealers worldwide who provide quality service. You can also contact Briggs & Stratton Customer Service by phone.

## Electric Pressure Washer

Model Number

Revision

Serial Number

**Date Purchased**

## Table of Contents

Operator Safety

Assembly

Features and Controls

Operation

Maintenance

Storage

Troubleshooting

Specifications

# Operator Safety

## SAVE THESE INSTRUCTIONS

### Equipment Description

**⚠ WARNING** Failure to read and follow the operator's manual and all operating instructions before using could result in death or serious injury.

- Read this manual carefully and become familiar with your electric pressure washer. Know its applications, its limitations, and any hazards involved.

This electric pressure washer operates at a maximum of 1,700 PSI (117 BAR) at a flow rate of up to 1.3 GPM (4.9 LPM).

Every effort has been made to ensure that the information in this manual is accurate and current. However, we reserve the right to change, alter, or otherwise improve the product and this document at any time without prior notice.

#### Ground Fault Circuit Interrupter Protection

This pressure washer is provided with a ground-fault circuit-interrupter (GFCI) built into the plug of the power supply cord. This device provides additional protection from the risk of electric shock. Should replacement of the plug or cord become necessary, use only identical replacement parts that include GFCI protection.

#### Automatic Shut-Off

The electric pressure washer is equipped with a sensor that will detect an increase in pressure when releasing or locking the spray gun trigger. The sensor will cause the motor to shut off for as long as the spray gun trigger is released or locked.

If the motor continues to run when the spray gun trigger is released or locked, **DO NOT USE THE MACHINE.**

**NOTICE** The electric pressure washer is equipped with a main power ON/OFF switch. The switch should always be moved to the OFF position (0) when the electric pressure washer is not being used to prevent possible damage.

#### Motor Overload

The electric motor in this electric pressure washer is equipped with an overload protection device (thermostat). This device will automatically shut off the motor if the motor overheats or draws excessive current.

If the overload protection device is tripped, disconnect the power supply by turning the master ON/OFF switch to the OFF (0) position. Let unit cool for 30 minutes. Then turn the master ON/OFF switch to the ON (I) position to resume operation.

## Important Safety Information

Please read and understand this entire manual before attempting to assemble, operate or service the product. Follow the maintenance instructions specified in this manual.

### Safety Symbols and Meanings

⚠ The safety alert symbol indicates a potential personal injury hazard. A signal word (DANGER, WARNING, or CAUTION) is used with the alert symbol to designate a degree or level of hazard seriousness. A safety symbol may be used to represent the type of hazard. The signal word NOTICE is used to address practices not related to personal injury.



Read Manual



Electrical Shock



Fire



Slippery Surface



Fall



Fluid Injection



Projectile



Flying Objects



Chemical Burn

⚠ **DANGER** indicates a hazard which, if not avoided, *will* result in death or serious injury.

⚠ **WARNING** indicates a hazard which, if not avoided, *could* result in death or serious injury.

⚠ **CAUTION** indicates a hazard which, if not avoided, *could* result in minor or moderate injury.

**NOTICE** addresses practices not related to personal injury.

**For Servicing of a Double-Insulated Appliance, See Assembly Section.**

**⚠ WARNING** Risk of electrocution. Use of an extension cord could cause electric shock or burn resulting in death or serious injury.



- DO NOT use an extension cord with this electric pressure washer. Your home's electrical circuit receptacle or extension cord may not provide lifesaving ground-fault circuit-interruption protection.

**⚠ WARNING** Risk of electrocution. Contacting both power conductors, at the same time could cause electric shock or burn resulting in death or serious injury.



- Inspect cord before each use, DO NOT use if cord is damaged.
- The product is equipped with a ground fault circuit interrupter (GFCI) built into the power cord plug. If replacement of the plug or cord is required, use only identical replacement parts.
- Keep all connections dry and off the ground.
- DO NOT touch plug with wet hands.
- DO NOT run cord through doorways, windows, holes in ceilings, walls, or floors.
- DO NOT walk on cord.
- DO NOT drive over, drag or place objects over cord.
- DO NOT spray near power source.

**⚠ WARNING** Use of electric pressure washer could create puddles and slippery surfaces. Risk of kickback. Spray gun could kickback causing you to fall resulting in death or serious injury.



- Operate the electric pressure washer from a stable surface.
- Do not overreach or stand on unstable support. Keep good footing and balance at all times.
- The cleaning area should have adequate slopes and drainage to reduce the possibility of a fall due to slippery surfaces.
- Be extremely careful if you must use the electric pressure washer from a ladder, scaffolding, or any other similar location.
- Firmly grasp spray gun with both hands when using power spray modes to avoid injury when spray gun kicks back.

**⚠ WARNING** Risk of eye or bodily injury. Spray could splash back, propel objects or cause internal harm resulting in serious injury.




- Always wear indirect vented (chemical splash) safety goggles marked to comply with ANSI Z87.1 when using or in vicinity of this equipment. NEVER substitute safety glasses or dry-condition goggles for indirect vented safety goggles.
- Know how to stop the pressure washer and bleed pressure quickly. Be thoroughly familiar with the controls.
- DO NOT allow CHILDREN to operate the electric pressure washer.
- Keep operating area clear of all persons.
- Inspect high pressure hose before each use. NEVER repair high pressure hose; replace it.
- DO NOT repair leaking connections with sealant of any kind; replace o-rings and gaskets.
- Keep hose connected to electric pressure washer and spray gun while system is pressurized.
- ALWAYS point spray gun in safe direction while system is pressurized and squeeze spray gun trigger to release high pressure, every time you turn off the pressure washer.
- DO NOT aim spray gun at people or animals.
- DO NOT drink from hose connected accessories.
- DO NOT secure spray gun in open position.
- DO NOT leave spray gun unattended while the electric pressure washer is in ON (I) position.
- DO NOT use a spray gun which does not have a trigger lock or trigger guard in place and in working order.
- Always be certain spray gun and accessories are correctly attached.
- Stay alert – watch what you are doing.
- DO NOT operate the product when fatigued or under the influence of alcohol or drugs.
- Close supervision is necessary when this product is used near children.

**⚠ WARNING** The high pressure stream of water that this equipment produces could cut through skin and its underlying tissues, resulting in serious injury and possible amputation.




Spray gun traps high water pressure, even when motor is stopped and water is disconnected, which could result in serious injury.



- NEVER aim spray gun at people, animals, or plants.
- ALWAYS point spray gun in safe direction, squeeze spray gun trigger to release high pressure, every time you turn off pressure washer.

 **WARNING** Risk of fire. Spraying flammable liquids could result in death or serious injury.

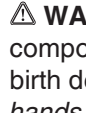
- DO NOT spray flammable liquids.

 **WARNING** Risk of fire. Overheated cord could result in death or serious injury.

- Uncoil cord completely prior to use.
- DO NOT cover cord with any material.

  **WARNING** Chemical Burn Hazard. Chemicals could cause burns resulting in death or serious injury.

- Always wear indirect vented (chemical splash) safety goggles marked to comply with ANSI Z87.1 when using chemicals.
- DO NOT substitute safety glasses or dry-condition goggles for indirect vented safety goggles.
- DO NOT use caustic liquid with electric pressure washer.
- Use ONLY pressure washer safe detergents/soaps. Follow all manufacturers instructions.

 **WARNING** This product contains lead and lead compounds, known to the State of California to cause birth defects or other reproductive harm. *Wash your hands after handling this product.*

**NOTICE** High pressure spray could damage fragile items including glass.

- DO NOT point spray gun at glass when using turbo spray
- NEVER aim spray gun at plants.

**NOTICE** You must protect your unit from freezing temperatures.

- Failure to do so will permanently damage your pump and render your unit inoperable.
- Freeze damage is not covered under warranty.

**NOTICE** Improper treatment of electric pressure washer could damage it and shorten its life.

- If you have questions about intended use, ask dealer or contact authorized service center.
- DO NOT operate units with broken or missing parts, or without protective housing or covers.
- DO NOT by-pass any safety device on the electric pressure washer.
- DO NOT modify the electric pressure washer in any way.
- Before starting the electric pressure washer in cold weather, check all parts of the equipment to be sure ice has not formed there.
- DO NOT move the electric pressure washer by pulling on hoses. Move unit using the transport handle supplied.
- Use ONLY branded accessories intended for use with this product.

# Assembly



**Read entire operator's manual before you attempt to assemble or operate your new electric pressure washer.**

Your electric pressure washer requires some assembly but is quickly ready for use. If you have any problems with the assembly of your electric pressure washer, please call the electric pressure washer helpline. If calling for assistance, please have the model, revision, and serial number from the identification label available. **Tools Needed**

- Philips screwdriver #2

## Unpack Electric Pressure Washer

1. Remove everything from carton.
2. Ensure you have all included items prior to assembly.

### Items Included in the Carton

- Main unit
- Handle
- Spray gun
- High pressure hose
- Plastic wand
- Quick-connect spray tips (3)
- Parts bag (which includes the following):
  - Screws (4)
  - O-ring kit
  - Nozzle cleaning tool
  - Operator's Manual

Check all contents. If any parts are missing or damaged, call the electric pressure washer helpline. Become familiar with each component before assembling the electric pressure washer. Identify contents with the illustration shown in *Features and Controls*.

## Prior to Operation

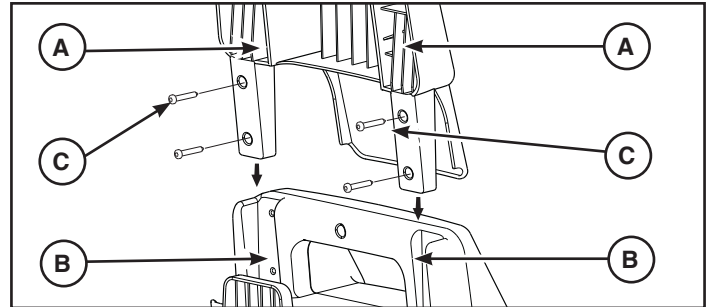
Read and perform the following instructions while paying close attention to all warnings and notices.

**NOTICE** Connect ONLY to water source capable of supplying a minimum of 3 GPM (11.4 LPM) and no less than 20 PSI (1.38 BAR) at the electric pressure washer end of garden hose. Inspect all equipment, hoses and accessories thoroughly before each use, DO NOT use if damaged.

- ONLY use branded accessories intended for use with this product.
- For optimum performance, DO NOT use a garden hose that exceeds 50 ft. (15.24 m).
- Replace only with original equipment parts.

## Attach Handle to Pressure Washer

1. Slide handle (A) pushing down into slots (B) at top of unit. Make sure holes in handle align with holes in slots.

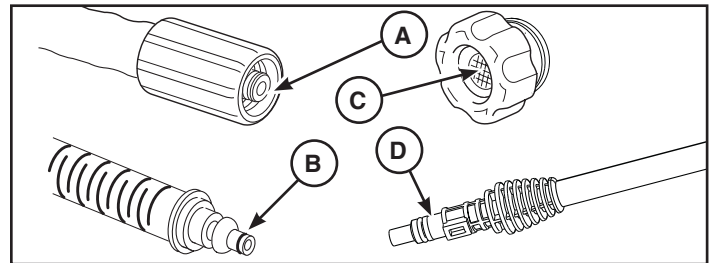


2. Insert handle screws (C) through holes from backside of unit. Tighten by hand.

## Lubricate O-Rings

Lubrication of o-rings is extremely important for installation and operation. The use of a lubricant (petroleum or synthetic grease) during assembly helps seat o-rings properly and provides an improved seal. It also helps protect the o-ring from damage by abrasion, pinching or cutting and extends the life of the o-ring.

**NOTICE** ALWAYS apply a small amount of lubricant on o-rings prior to assembling the high pressure hose (pump end) (A), high pressure hose (gun end) (B), garden hose to the pump (C), and plastic wand (gun end) (D).



**Lubricate all connections shown above, following these instructions:**

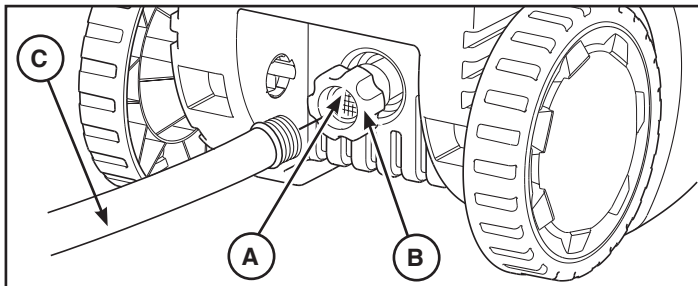
1. Inspect and clean connecting surfaces prior to lubrication and assembly.
2. Use lubricants sparingly.
3. Use a small brush or cotton swab to apply grease directly to o-rings where they are not accessible (QC fitting, M22 fitting).



## Connect Hoses and Water Supply

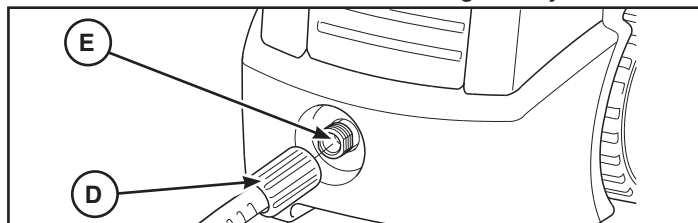
**NOTICE** Use ONLY cold water (less than 100°F).

1. Attach garden hose 50 ft. (15.24 m) maximum) to water supply and run water through garden hose for 30 seconds to flush the hose of debris. Turn off water.
2. Confirm that water inlet screen (A) is installed in water inlet coupling (B) lower rear of unit.

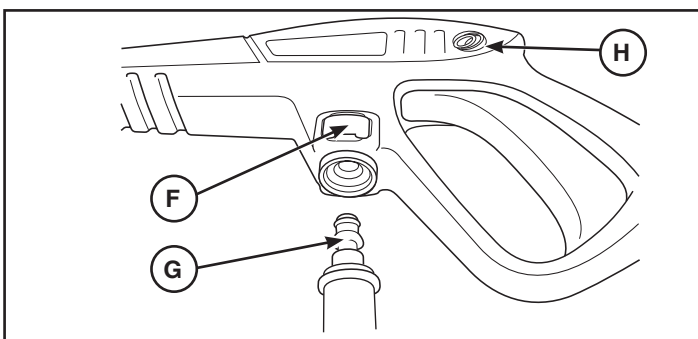


**NOTICE** DO NOT run pump without water supply connected and turned on.

- Damage to equipment resulting from failure to follow this instruction will void warranty.
3. Attach garden hose (C) to water inlet coupling (B). Tighten by hand.
  4. Attach high pressure hose (D) to unit's water outlet (E) located lower front of main unit. Tighten by hand.

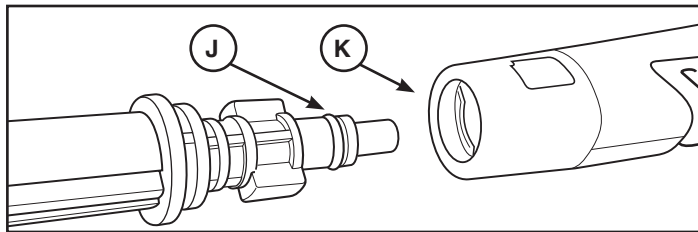


5. Attach other end of high pressure hose to the spray gun. Press red button (F) on spray gun, then insert end of high pressure hose (G) into gun until it SNAPS into place. Release red button and make sure connection is secure.

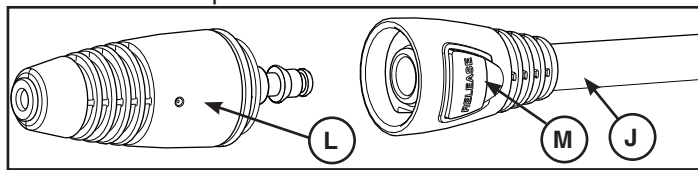


## Connect Wand and Spray Tip

1. Turn ON water, point gun in a safe direction, press trigger lock button (H), then squeeze trigger to purge pump system and spray gun of air and impurities.
2. Insert and twist plastic wand (J) into spray gun (K). Once wand slides into gun, apply further inward pressure to wand and twist 1/4 turn clockwise until securely in place.



3. Turn OFF water and release trigger. Point gun in a safe direction and make sure trigger cannot be squeezed.
4. Insert turbo tip (L) into plastic wand (J). Once turbo tip slides into gun, apply further inward pressure until it SNAPS into place.



5. To remove turbo tip, press release button (M) and pull it away from the wand.

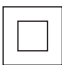
## Checklist Before Starting Pump Motor

Review the unit's assembly to ensure you have performed all of the following.

1. Be sure to read *Operator Safety* and *Operation* before using the electric pressure washer.
2. Check for properly tightened hose connections.
3. Check to make sure there are no kinks, cuts, or damage to hoses.
4. Provide a proper water supply at an adequate flow.
5. Plug electrical power cord into a dedicated electrical circuit rated for 120 Volts AC at 15 Amps that is properly installed in accordance with all local codes and ordinances. Check that circuit is not used to supply any other electrical needs.

## Servicing Of A Double-Insulated Appliance

In a double-insulated product, two systems of insulation are provided instead of grounding. No grounding means is provided on a double-insulated product, nor should a means for grounding be added to the product. Servicing a double-insulated product requires extreme care and knowledge of the system, and should be done only by qualified service personnel. Replacement parts for a double-insulated product must be identical to the parts they replace. A double-insulated product is marked with the words "DOUBLE INSULATION" or "DOUBLE INSULATED."

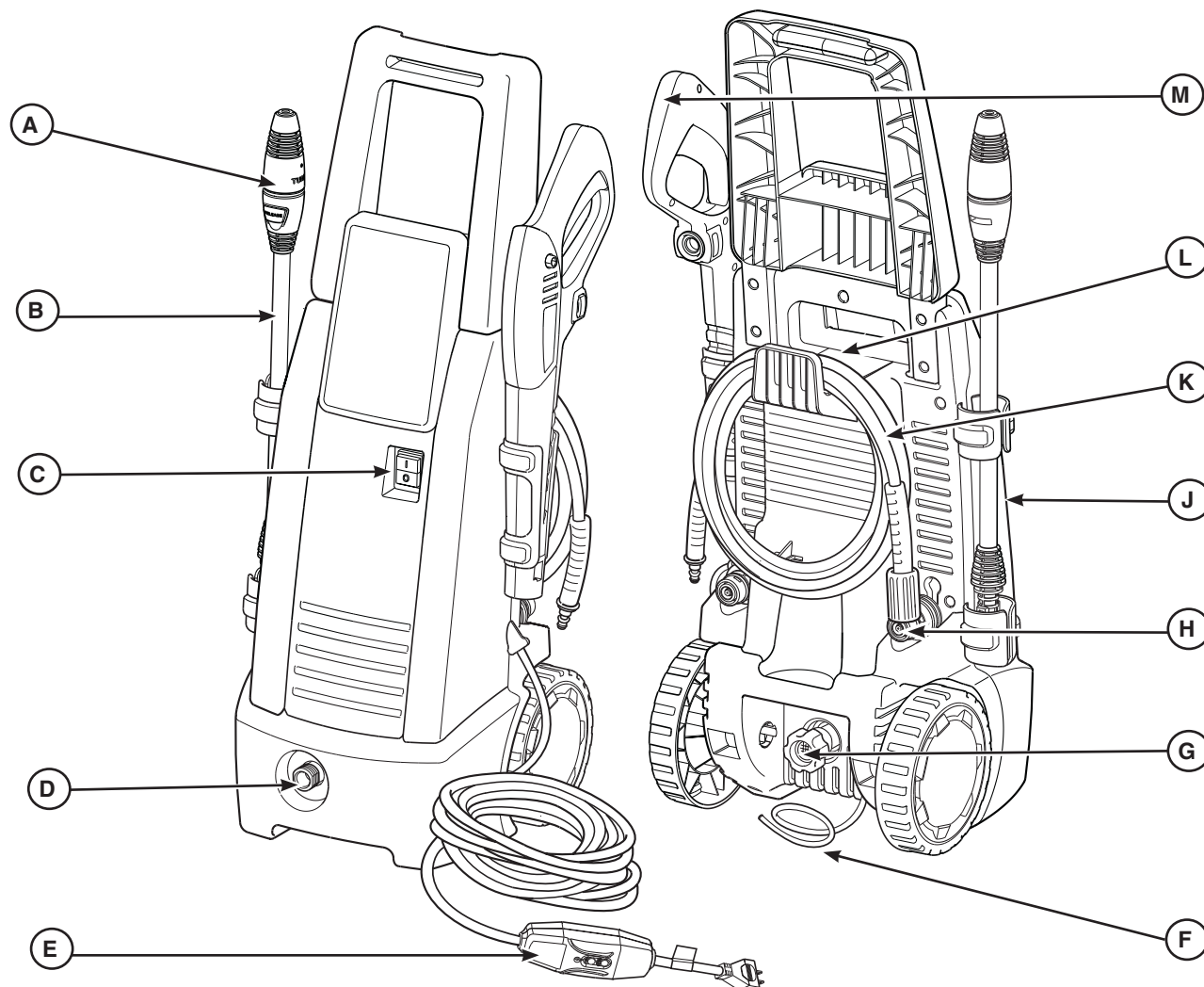
The symbol  means DOUBLE-INSULATED APPLIANCE.

## Features and Controls



Read the Operator's Manual and safety rules before operating your electric pressure washer.

Compare the illustrations with your electric pressure washer to familiarize yourself with the locations of various controls and adjustments. Save this original manual for future reference.



**A - Turbo Spray Nozzle** — Whirls a powerful pin-point jet of water for intense cleaning.

**B - Plastic Wand** — Allows you to switch between three different spray tips.

**C - Master ON/OFF Toggle Switch** — Push top of switch in to turn pressure washer ON (I). Push bottom of switch in to turn pressure washer OFF (O).

**D - High Pressure Outlet** — Connection for high pressure hose.

**E - Electric Cord with GFCI** — The electric pressure washer and operator is protected by a ground fault circuit interrupter (GFCI).

**F - Detergent Siphoning Tube** — Use to siphon pressure washer safe detergent into the low pressure stream.

**G - Water Supply Inlet** — Connect to water supply using a 50 ft. (15.24 m) maximum garden hose.

**H - Spray Tips** — Soap tip is for general soap applications. High pressure tip is for various high pressure applications.

**J - Warning Label** — Identifies hazards to be avoided when using your pressure washer.

**K - High Pressure Hose** — Connect one end to high pressure water outlet on hose reel and the other end to spray gun.

**L - Identification Label** — Provides model and serial number of pressure washer. Please have these readily available if calling for assistance.

**M - Spray Gun** — Controls the application of water onto cleaning surface with trigger device. Includes trigger lock.



# Operation

## Start Pressure Washer

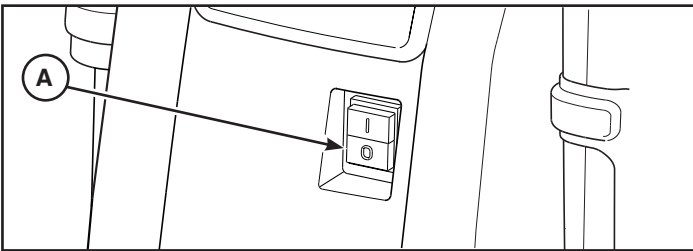
Follow the instructions below in the order presented. If you have any problems operating your electric pressure washer, please call the electric pressure washer helpline.

**⚠ WARNING** Risk of eye injury. Spray could splash back or propel objects resulting in serious injury. Always wear indirect vented (chemical splash) safety goggles marked to comply with ANSI Z87.1 when using or in vicinity of this equipment. NEVER substitute safety glasses or dry-condition goggles for indirect vented safety goggles.

1. Place the electric pressure washer near an outside water source capable of supplying water at a flow rate greater than 3 GPM (11.4 LPM) and no less than 20 PSI (1.38 BARS) at the electric pressure washer end of garden hose. DO NOT siphon supply water.
2. Connect garden hose to water inlet.
3. Check that high pressure hose is tightly connected to spray gun and high pressure outlet. See *Connect Hoses and Water Supply*.

**NOTICE** DO NOT run the pump without the water supply connected and turned on.

- Damage to equipment resulting from failure to follow this instruction will void warranty.
4. Turn ON water, point gun in a safe direction, press trigger lock button and squeeze trigger to purge pump system of air.
  5. Install desired spray tip into plastic wand. See *Connect Wand and Spray Tips*.
  6. Press master ON/OFF switch (A) to OFF (0) position.

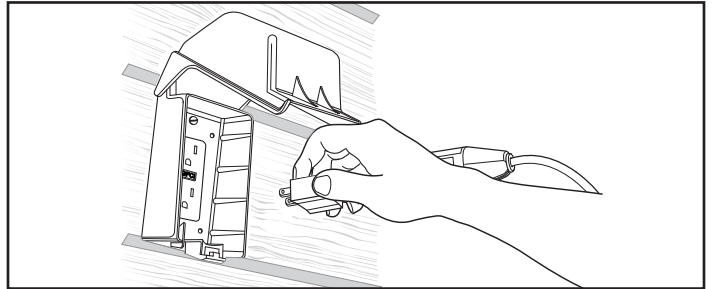


**⚠ WARNING** Risk of electrocution. Use of an extension cord could cause electric shock or burn resulting in death or serious injury.



- DO NOT use an extension cord with this electric pressure washer. Your home's electrical circuit receptacle or extension cord may not provide lifesaving ground-fault circuit-interruption protection.

7. Plug electrical power cord into a dedicated electrical circuit rated for 120 Volts AC at 15 Amps that is properly installed in accordance with all local codes and ordinances. Circuit is not to supply any other electrical needs. The indicator light on the GFCI should be ON.

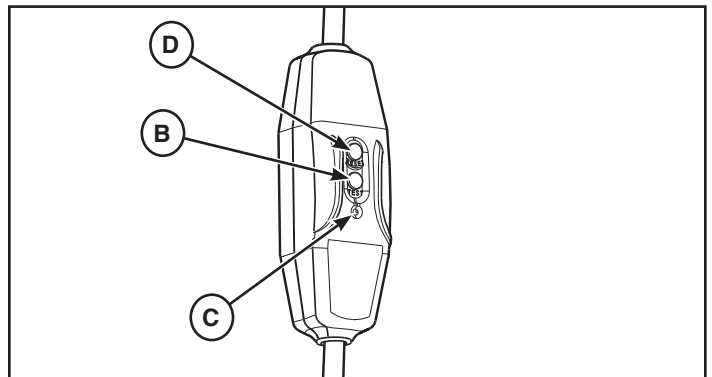


**NOTICE** The indicator light must be ON for the electric pressure washer to operate.

**⚠ WARNING** Risk of electrocution. Non-operating ground fault circuit interrupter (GFCI) could result in death or bodily injury. If indicator light does not stay ON after test and reset, do not use GFCI.



8. Press TEST button (B). The indicator light (C) should be OFF.



9. Press RESET button (D). The indicator light (C) should be ON (I).

**NOTICE** DO NOT use the electric pressure washer if above test fails.

10. Press the master ON/OFF switch (A) to the pressure washer ON (I) position.
11. Point gun in a safe direction, press trigger lock button and squeeze trigger.

The electric pressure washer motor will start and stop as spray gun trigger is depressed and released.

The electric pressure washer is now ready for use. Instructions for use of the supplied accessories are given later in this section.

## Stop Pressure Washer

The electric pressure washer motor runs only when the trigger is engaged. To stop the electric pressure washer and turn off the motor:

1. Release spray gun trigger.
2. Press master ON/OFF switch to OFF (0) position.

**NOTICE** Releasing the trigger will shut off the motor but does not shut off electrical power to the unit.

3. Turn off water supply.
4. ALWAYS point spray gun in a safe direction, press trigger lock button and squeeze trigger to relieve built up pressure in the unit.



**WARNING** The high pressure stream of water that this equipment produces could cut through skin and its underlying tissues, resulting in serious injury and possible amputation.

Spray gun traps high water pressure, even when motor is stopped and water is disconnected, which could result in serious injury.

- Keep high pressure hose connected to pump and spray gun while system is pressurized.
- ALWAYS point spray gun in safe direction, squeeze spray gun trigger to release high pressure, every time you turn off pressure washer.

5. Disconnect GFCI plug from outlet.

## Spray Tips

There are three spray tips supplied with the pressure washer. The turbo spray tip whirls a powerful pin-point jet of water for intense cleaning. The soap tip is for general soap applications, and the high pressure tip is for various high pressure applications.

### Usage Tips

- For most effective cleaning, keep spray tips 8 - 24 inches away from cleaning surface.
- If spray tips get too close, especially using a high pressure spray tip, you may damage surface being cleaned.
- DO NOT get closer than 6 inches when cleaning tires.

## Applying Detergent



**WARNING** Chemical Burn Hazard.



Chemicals could cause burns resulting in death or serious injury.

- Always wear indirect vented (chemical splash) safety goggles marked to comply with ANSI Z87.1 when using chemicals.
- DO NOT substitute safety glasses or dry-condition goggles for indirect vented safety goggles.
- DO NOT use caustic liquid with electric pressure washer.
- Use ONLY pressure washer safe detergents/soaps. Follow all manufacturers instructions.

### To apply detergent, follow these steps:

1. Review use of spray tips in *Spray Tips*.
2. Prepare detergent solution as required by job to be performed.
3. Place detergent siphoning tube into detergent container.
4. Install soap tip.

**NOTICE** Detergent cannot be applied with turbo or high pressure spray tips.

5. Make sure garden hose is connected to water inlet. Check that high pressure hose is connected to spray gun and high pressure outlet. Turn on water.

**NOTICE** You must attach all hoses before you start the pressure washer.

6. Start the pressure washer as instructed in *Start Pressure Washer*.
7. Apply detergent to a dry surface, starting at lower portion of area to be washed and work upward using long, even, overlapping strokes.
8. Allow detergent to "soak in" for 3-5 minutes before washing and rinsing. Reapply as needed to prevent surface from drying. To prevent streaking, Do Not allow detergent to dry on surface.

**NOTICE** Flush detergent and siphoning system after each use by placing tube into a bucket of clean water, then run pressure washer with soap tip for 1-2 minutes.

## Electric Pressure Washer Rinsing

1. Remove soap tip from wand.
2. Install high pressure tip.
3. Keep spray gun a safe distance from area you plan to spray.

 **WARNING** Risk of kickback.

Spray gun could kickback causing you to fall resulting in death or serious injury.

- Operate the electric pressure washer from a stable surface.
  - Be extremely careful if you must use the electric pressure washer from a ladder, scaffolding, or any other similar location.
  - Firmly grasp spray gun with both hands when using power spray modes to avoid injury when spray gun kicks back.
4. Apply a high pressure spray to a small area and then check surface for damage. If no damage is found, you can assume it is okay to continue rinsing.
  5. Start at top of area to be rinsed, working down with same overlapping strokes as you used for cleaning.

**NOTICE** NEVER leave the electric pressure washer unattended while plugged into an electrical outlet and while water is supplied to the equipment. If the spray tip is too far away from the surface being washed, cleaning may not be as effective.

## How to Store Accessories

The unit is equipped with places to store your high pressure hose, spray gun, plastic wand, spray tips, and power cord. Identify all accessories with the illustrations in *Features and Controls*.

## Maintenance

### General Recommendations

Regular maintenance will improve the performance and extend the life of the electric pressure washer.

The electric pressure washer's warranty does not cover items that have been subjected to operator abuse or negligence. To receive full value from the warranty, the operator must maintain the electric pressure washer as instructed in this manual, including proper storage.

**NOTICE** Should you have questions about replacing components on your electric pressure washer, please call for assistance.

### Before Each Use

1. Clean debris.
2. Check water inlet screen for debris or damage.
3. Check high pressure hose for leaks.
4. Check spray gun operation.

## Electric Pressure Washer Maintenance

### Clean Debris

Daily or before use, clean accumulated debris from electric pressure washer. Inspect cooling air slots and openings on the front, rear and bottom of the electric pressure washer. These openings must be kept clean and unobstructed.

The electric pressure washer parts should be kept clean to reduce the risk of overheating and ignition of accumulated debris. Use a damp cloth to wipe exterior surfaces clean.

**NOTICE** Improper treatment of the electric pressure washer can damage it and/or shorten its life.


- DO NOT insert any objects through cooling slots.

### Check and Clean Water Inlet Screen

Examine the screen on the unit's water inlet. Clean it if the screen is clogged or replace it if screen is damaged.

### Check High Pressure Hose

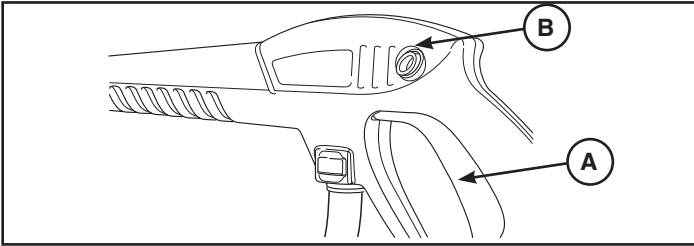
The high pressure hose can develop leaks from wear, kinking, or abuse. Inspect the hose each time before using it. Check for cuts, leaks, abrasions or bulging of cover, damage or movement of couplings. If any of these conditions exist, replace the hose immediately.

 **WARNING** The high pressure stream of water that this equipment produces could cut through skin and its underlying tissues, resulting in serious injury and possible amputation.

- NEVER repair high pressure hose. Replace it.
- Replacement hose rating MUST equal or exceed maximum pressure rating of unit.

## Check Spray Gun

Examine the hose connection to the spray gun and make sure it is secure. Test the trigger (A) by pressing the trigger lock button (B) and making sure the trigger “springs back” into place when you release it. You should not be able to press the trigger without pressing the trigger lock button. Replace spray gun immediately if it fails any of these tests.



## Spray Tip Maintenance

Excessive pump pressure can cause a pulsing sensation felt while squeezing the spray gun trigger. The principal cause of excessive pump pressure is a clogged or restricted spray tip with foreign materials such as dirt, etc. A clogged spray tip could lead to pump cycling ON/OFF or not turning on even when there is some flow.

To correct the problem, immediately clean the spray tip by following these instructions:

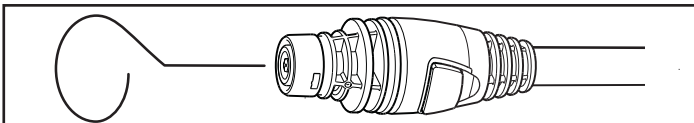
1. Press the master ON/OFF switch to the OFF (0) position. Remove power cord plug from electrical outlet.
2. Disconnect water supply at the electric pressure washer.
3. ALWAYS point spray gun in a safe direction, press trigger lock button and squeeze spray gun trigger to release retained high water pressure.

**WARNING** The high pressure stream of water that this equipment produces could cut through skin and its underlying tissues, resulting in serious injury and possible amputation.

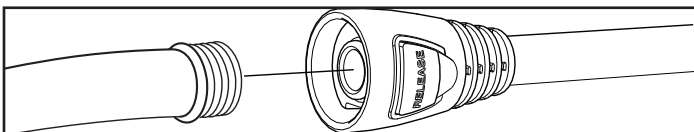
Spray gun traps high water pressure, even when motor is stopped and water is disconnected, which could result in serious injury.

- Keep high pressure hose connected to pump and spray gun while system is pressurized.
- ALWAYS point spray gun in safe direction, squeeze spray gun trigger to release high pressure, every time you turn off pressure washer.

4. Remove spray tip from end of plastic wand.
5. Use a small paper clip to free any foreign material clogging or restricting any of the spray tips.



6. Using a garden hose, remove additional debris by back flushing water through plastic wand. Back flush between 30 to 60 seconds.



7. Reinstall spray tip into plastic wand.
8. Reconnect plastic wand to spray gun.
9. Make sure garden hose is connected to water inlet. Check that high pressure hose is connected to spray gun. Turn on water.
10. Plug power cord into electrical outlet and press master ON/OFF switch to the ON (I) position.
11. Test the electric pressure washer by operating with each spray tip.

## Pump and Motor Maintenance

The electric pressure washer does not require any maintenance to the pump or motor. Both assemblies are pre-lubricated and sealed, requiring no additional lubrication ever.

## After Each Use

Water should not remain in the unit for long periods of time. Sediments or minerals can deposit on pump parts and “freeze” pump action. Follow these procedures after every use:

1. Press master ON/OFF switch to OFF (0) position. Remove power cord plug from electrical outlet.
2. Turn off water supply. Point gun in a safe direction, press trigger lock button, and squeeze trigger to relieve trapped pressure.
3. Disconnect garden hose from water inlet. Disconnect high pressure hose from spray gun and high pressure outlet.
4. Drain water from hose and spray gun, then use a cloth or equivalent to wipe off exterior surfaces.
5. Drain water from pump by tipping unit onto its front side (water inlet facing down) for two minutes. Flip unit over and let rest on high pressure outlet for an additional two minutes.
6. Wrap high pressure hose around hook on back of unit.
7. Coil and store power cord. Store spray gun, plastic wand and spray tips in places as illustrated in *Features and Controls*.
8. Store unit in a clean, dry area.
9. If storing for more than 30 days see *Storage*.

## Storage

Follow steps 1-5 in *After Each Use*.

**NOTICE** Water left in pump could freeze and permanently damage pump. Freeze damage is not covered under warranty.

### Protecting the Pump

To protect the pump from damage caused by mineral deposits or freezing, use PumpSaver, Model 6039, to treat pump. This prevents freeze damage and lubricates plunger and seals.

**NOTICE** PumpSaver is available as an optional accessory. It is not included with the electric pressure washer. Contact the nearest authorized service center to purchase Pump Saver.

**NOTICE** You must protect your unit from freezing temperatures.

- Failure to do so will permanently damage pump and render unit inoperable.
- Freeze damage is not covered under warranty.

To use PumpSaver, make sure the electric pressure washer is turned off and inlet and outlet hoses are disconnected. Read and follow all instructions and warnings given on the PumpSaver container.

### Final Storage Procedure

1. Store unit in a clean, dry area that is protected from freezing temperatures.
2. Cover unit with a suitable protective cover that does not retain moisture.
3. Follow steps 6-7 in *After Each Use*.

# Troubleshooting

Problem	Cause	Correction
<b>Pump has following problems: failure to produce pressure, erratic pressure, chattering, loss of pressure, low water volume.</b>	1. Water inlet is blocked. 2. Inadequate water supply. 3. Garden hose is kinked or leaking. 4. Clogged water inlet screen. 5. Spray tip is obstructed.	1. Clear inlet. 2. Provide adequate water flow. 3. Straighten garden hose or replace if leaking. 4. Clean or replace water inlet screen. 5. Clean spray tip.
<b>Unit fails to start when spray gun trigger is squeezed.</b>	1. Water supply is not turned on. 2. Unit is not turned on. 3. Garden hose is too long. 4. Fuse blown or circuit breaker tripped.	1. Turn on water supply. 2. Press the master ON/OFF switch to the ON (I) position. Reset GFCI. 3. Use only 50 ft. (15.24 m) maximum garden hose. 4. a.) Replace fuse or reset circuit breaker. b.) Disconnect other electrical appliances and turn off lights in the circuit, or operate on dedicated circuit. c.) Run 5 minutes with turbo spray tip.
<b>Detergent fails to mix with spray.</b>	1. High pressure tip is installed.	1. Install soap tip.
<b>Hose connections leaking.</b>	1. Garden hose loose to water inlet. 2. Loose high pressure hose connections. 3. Damaged o-ring.	1. Hand tighten garden hose. 2. Remove hose and reinstall. 3. Replace o-ring.





# Electric Pressure Washer

## Specifications

Max Outlet Pressure	1,700 PSI (117.2 BAR)* @ 1.0 GPM (3.8 LPM)
Max Flow Rate	1.3 GPM (4.9 LPM)* @ 1,000 PSI (68.9 BAR)
Detergent Mix	See MFR's Instructions
Water Supply Temperature	Not to exceed 100°F (38°C)
Motor	Universal (brush) Type
Rated Voltage	120 Volts AC
Current	13.0 Amps

\* This pressure washer is rated in accordance to the Pressure Washer Manufacturers Association (PWMA) standard PW101-2010 (Testing and Rating Performance of Pressure Washers).