



Quick Setup Guide

Electric Pressure Washer

WARNING Failure to read and follow the operator's manual and all operating instructions before using could result in death or serious injury.

WARNING Risk of electrocution. Contacting both power conductors, at the same time could cause electric shock or burn resulting in death or serious injury.

- Inspect cord before each use, DO NOT use if cord is damaged.
- Keep all connections dry and off the ground.
- DO NOT touch plug with wet hands.

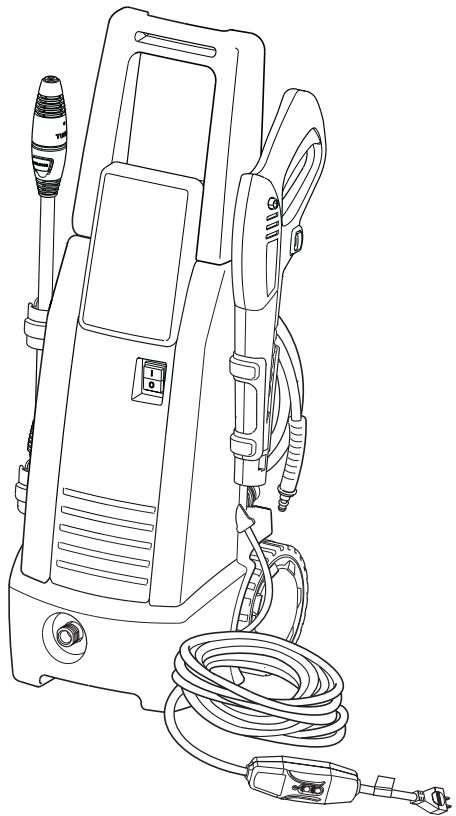
WARNING High water pressure could cut through skin resulting in serious injury. Spray gun traps high water pressure, even when motor is stopped and water is disconnected. NEVER aim spray gun at people, animals, or plants. ALWAYS point spray gun in safe direction, press red button and squeeze trigger to release high pressure, every time you turn off pressure washer.

Items Included

- Operator's Manual
- Handle
- Screws (4)
- Spray gun
- High pressure hose
- Plastic wand
- Quick-connect spray tips (3)
- Nozzle cleaning tool
- O-ring kit
- Water inlet coupling

You will need (Not Included)

- #2 Philips screwdriver
- Garden hose, 15m (50 ft.) or less
- Safety goggles (indirect vented type)
- Petroleum or synthetic grease

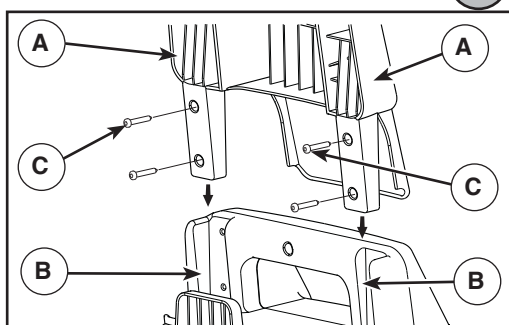


Unpack Electric Pressure Washer

1. Remove everything from carton.
2. Ensure you have all included items prior to assembly. If items are damaged or missing, call. Prior to assembly, lubricate rubber o-ring seals on all connections with petroleum or synthetic grease. See Operator's Manual, Lubricate O-Rings. ②③④⑤

Attach Handle to Pressure Washer

1. Slide handle (A) pushing down into slots (B) at top of unit. Make sure holes in handle align with holes in slots. ①
2. Insert handle screws (C) through holes from backside of unit. Tighten by hand. ①



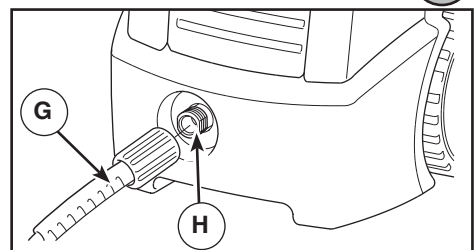
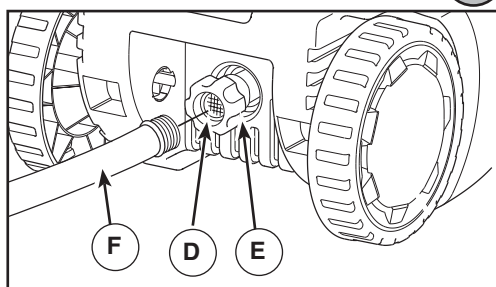
Connect Hoses and Water Supply

1. Attach garden hose 50 ft. (15.24 m) maximum to water supply and run cold water through garden hose for 30 seconds to flush the hose of debris. Turn off water.
2. Confirm that water inlet screen (D) is installed in water inlet coupling (E). ②

NOTICE DO NOT run pump without water supply connected and turned on.

- Damage to equipment resulting from failure to follow this instruction will void warranty.

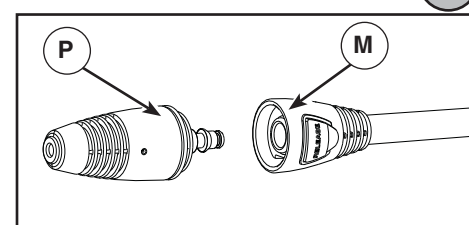
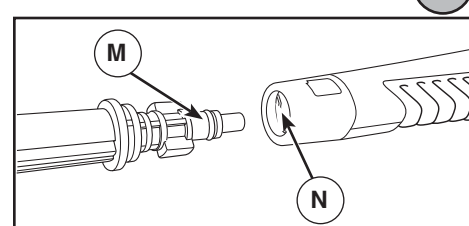
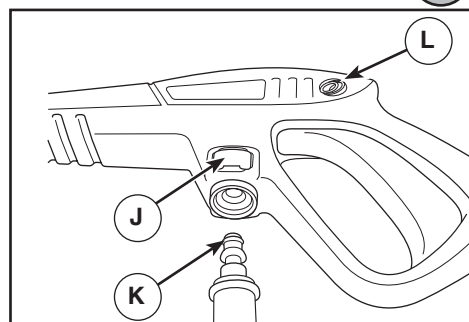
3. Attach garden hose (F) to the water inlet coupling (E). Tighten by hand. ②
4. Attach high pressure hose (G) to the high pressure outlet (H). Tighten by hand. ③
5. Attach other end of high pressure hose (K) to the spray gun. Press red button (J) on spray gun, then insert end of high pressure hose into gun until it SNAPS into place. Release the red button and make sure connection is secure. ④



Connect Wand and Spray Tips

1. Turn ON water, point gun in a safe direction, press trigger release (L), then squeeze trigger to purge pump system and spray gun of air and impurities. ④
2. Insert and twist wand (M) into spray gun (N). Once wand slides into gun, apply further inward pressure to wand and twist 1/4 turn clockwise until securely in place. ⑤
3. Select the spray tip (P) you want to use and insert into plastic wand (M). Once the spray tip slides into gun, apply further inward pressure until it SNAPS into place. ⑥

NOTICE For spray tip instructions, see Operator's Manual.



Start Pressure Washer

1. Put on safety goggles.

WARNING Risk of eye injury. Spray could splash back or propel objects resulting in serious injury. Always wear indirect vented (chemical splash) safety goggles marked to comply with ANSI Z87.1 when using or in vicinity of this equipment. NEVER substitute safety glasses or dry-condition goggles for indirect vented safety goggles.

2. Turn on water.
3. Press master ON/OFF switch (Q) to OFF (0) position. ⑦

WARNING Risk of electrocution. Use of an extension cord could cause electric shock or burn resulting in death or serious injury.

- DO NOT use an extension cord with this electric pressure washer. Your home's electrical receptacle or extension cord may not provide lifesaving ground-fault circuit-interruption protection.

4. Plug electrical power cord into a dedicated electrical circuit rated for 120 Volts AC at 15 Amps that is properly installed in accordance with all local codes and ordinances. Circuit is not to supply any other electrical needs. ⑧

WARNING Risk of electrocution. Non-operating ground fault circuit interrupter (GFCI) could result in death or serious injury. If indicator light does not stay on after test and reset, do not use GFCI.

NOTICE The indicator light must be ON for electric pressure washer to operate.

5. Press TEST button (R). The indicator light (S) should be OFF. ⑨
6. Press RESET button (T). The indicator light (S) should be ON. ⑨

NOTICE DO NOT use electric pressure washer if above test fails.

7. Press master ON/OFF switch (Q) to ON (I) position. ⑦
8. Point gun in a safe direction, press trigger lock button (L) and squeeze trigger. ④

The electric pressure washer motor will start and stop as spray gun trigger is depressed and released.

NOTICE If a fuse blows or circuit breaker trips, motor break in may be necessary. Run pressure washer with turbo spray tip for 5 minutes.

Stop Pressure Washer

The electric pressure washer motor runs only when the trigger is engaged. To stop the electric pressure washer and turn off the motor:

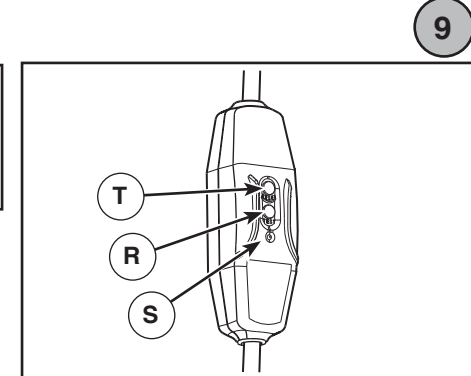
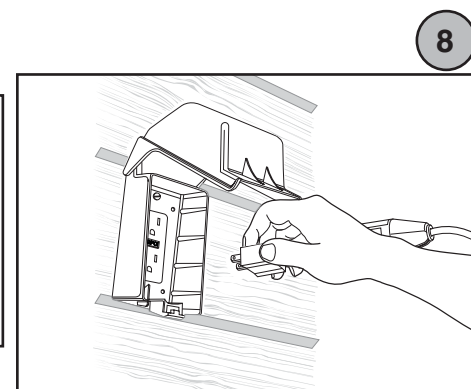
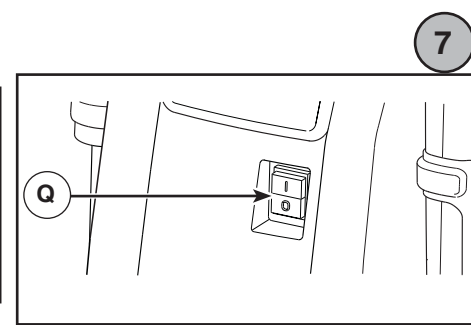
1. Release spray gun trigger.
2. Press master ON/OFF switch (Q) to OFF (0) position. ⑦

NOTICE Releasing trigger will shut off motor but does not shut off electrical power to unit.

3. Turn off water supply.
4. ALWAYS point spray gun in a safe direction and squeeze spray gun trigger to relieve built up pressure in unit.

NOTICE Spray gun traps high water pressure, even when motor is stopped and water is disconnected.

5. Disconnect GFCI plug from outlet. ⑧



NOTICE Protect pump from damage caused by freezing, read Operator's Manual for winter or long term storage. Freeze damage is NOT covered under warranty.