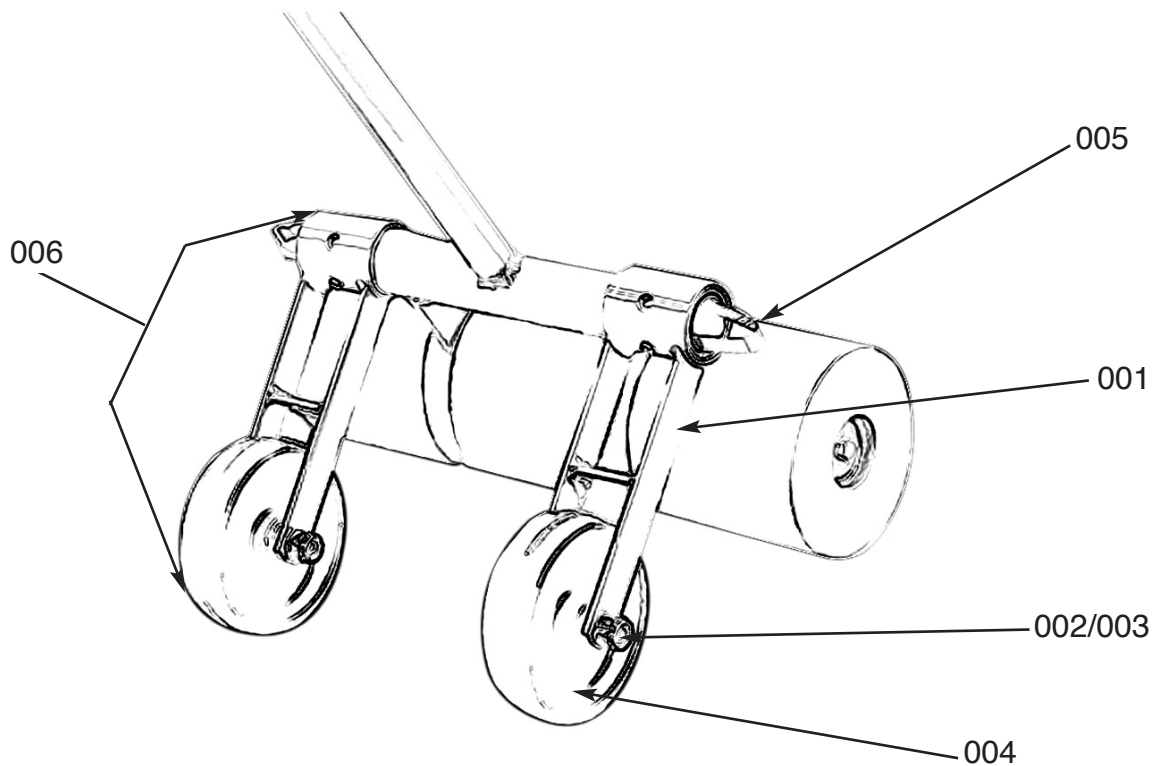


#14-512

# Linoleum Roller Transporter



## Parts List

Ref #	Key #	Part #	Detail	Qty/Unit
14-512	001	50-210	Leg Assembly - Frame Only	2
14-512	002	52-252	Lock Nut 1/2" - 13"	2
14-512	003	52-447	Hex Head Bolt 1/2" - 13 x 2-3/4"	2
14-512	004	50-211	5' Diameter Wheel	2
14-512	005	12-274	Reinforced Spring Clip	2
14-512	006	50-212	Complete Leg with Wheel and Hardware	2

**Order by Reference # and Key # (or by Part # if available)**

**Bon**<sup>®</sup>  
Trusted since 1958

When it comes to quality concrete, masonry, drywall tools, Bon is the brand you can depend on.