

INSTRUCTIONS

#14-512 Linoleum Roller Transporter

The linoleum roller transporter fits any Bon Tool Co. Linoleum Roller. Transporter prevents damage to the roller wheels during transportation to and from the job site. Also acts as a convenient stand when the roller is not in use. Snap button design allows transporter to be rotated on the linoleum roller.

If your Bon Tool Co. linoleum roller does not have holes in the axle support, you must adapt the roller to accommodate the linoleum roller transporter:

1. Drill a $\frac{7}{16}$ " diameter hole in each end of the axle support. Drill thru both walls as shown in the illustration. (See A below)
2. Insert a snap button thru holes in each end of support. (See B below)
3. Slide a transporter wheel assembly over each end of the axle support. Align holes and lock in place with a spring clip.

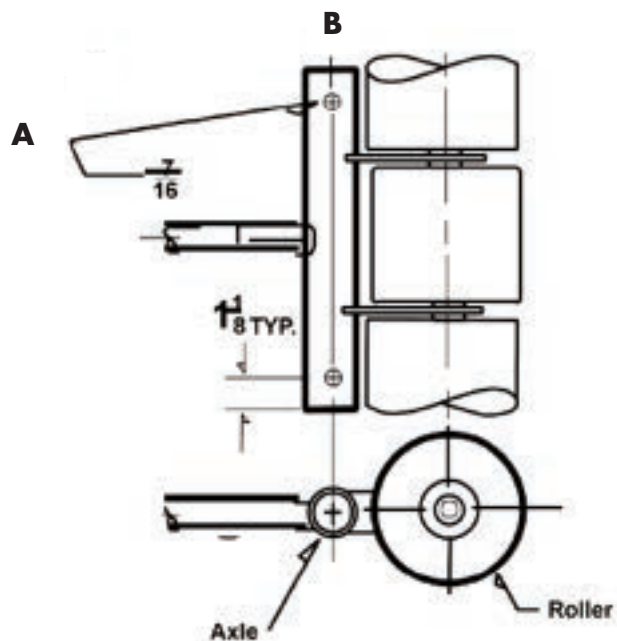
NOTE: Roller can be layed flat as transport wheels are affixed as in photo #1. Do not lay roller handle down to surface when transport wheels are affixed as in photo #2.



Photo #1



Photo #2



Bon[®]
Trusted since 1958

When it comes to quality concrete, masonry, drywall tools, Bon is the brand you can depend on.