

Bon[®] Advantage

POWER TROWEL BLADES

- ▶ Plastic brush caps for thread protection
- ▶ Specially formulated hardened and tempered spring steel
- ▶ Mounting bracket is secured to the blade using a 6 rivet design for maximum strength to prevent separation
- ▶ High carbon content provides abrasion resistance
- ▶ Mounting hardware is included with each package of blades



Multi-sizes available.
Sold in packages of 4

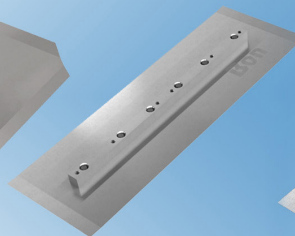
For use on 30"/36"/46"/48" Power Trowels



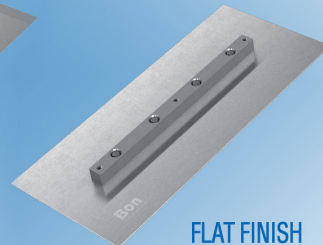
COMBINATION



FLOAT SHOE



FINISH



FLAT FINISH



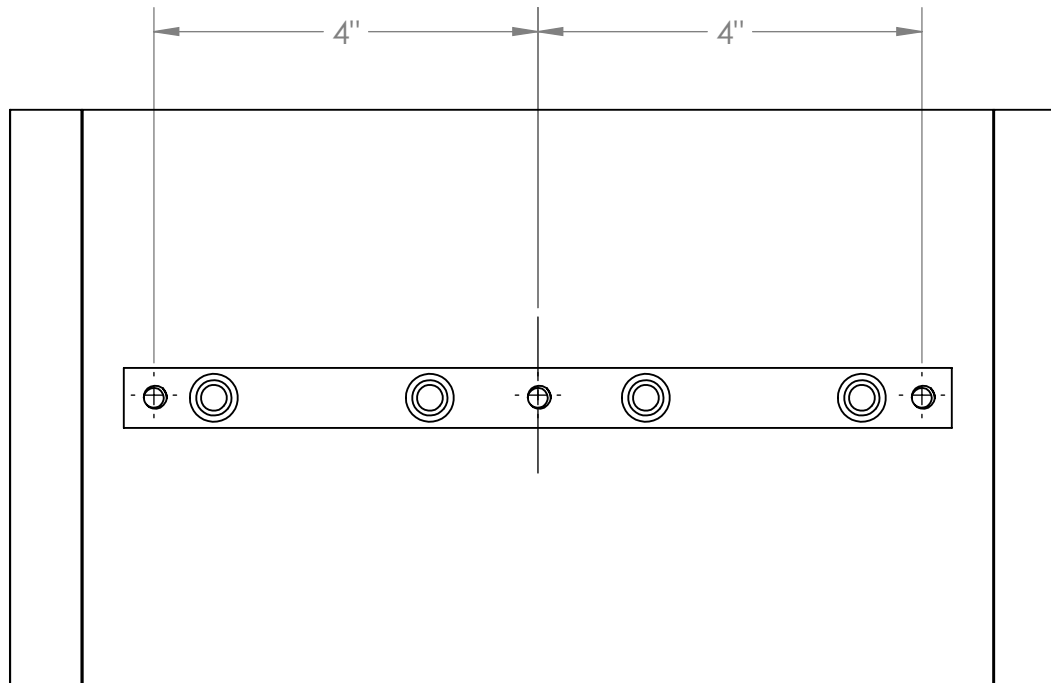
	Bon [®]	The Other Guy
6 rivet design	✓	
Abrasion resistant steel	✓	
Mounting hardware included	✓	
Thread protectors	✓	

The Competition Doesn't Stack Up!
EXPERIENCE THE BON[®] ADVANTAGE ON YOUR NEXT ORDER



PRODUCT DIMENSIONS

POWER TROWEL BLADES FOR 30" POWER TROWEL: 17-151, 17-152



Power Trowel Blades

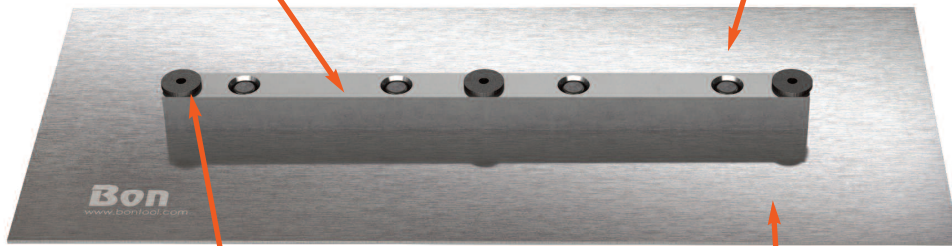
Bon's Power Trowel Blades are specially formulated hardened and tempered spring steel. High carbon content provides abrasion resistance for longer wear.

THESE BLADES FIT MOST OF THE FOLLOWING BRANDS OF POWER TROWEL MACHINES:

**Allen Razorback • Bartell • Champion • Corbit Northrop
Husqvarna • MBW • Morrison • Stone • Stow • Wacker
Whiteman/Multi Quip**

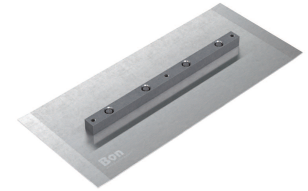
Mounting bracket is secured to blade using a 6 rivet design for maximum strength to prevent separation

Specially formulated hardened and tempered spring steel



Plastic brush caps for thread protection

High carbon content provides abrasion resistance for longer wear



FINISH



FLAT FINISH



COMBINATION



FLOAT SHOE

SPECIFICATIONS:

All blades sold in 4/pkg.

Finish Blades

#17-151 11" x 6" (for 30" Power Trowels)
#17-154 14" x 6" (for 36" Power Trowels)
#17-158 18" x 6" (for 46" & 48" Power Trowels)

Flat Finish Blades

#17-155 14" x 6" (for 36" Power Trowels)
#17-159 18" x 6" (for 46" & 48" Power Trowels)

Combination Blades

#17-152 11" x 8" (for 30" Power Trowels)
#17-156 14" x 8" (for 36" Power Trowels)
#17-160 18" x 8" (for 46" & 48" Power Trowels)

Float Shoe Blades

#17-153 11" x 10" (for 30" Power Trowels)
#17-157 14" x 10" (for 36" Power Trowels)
#17-161 18" x 10" (for 46" & 48" Power Trowels)

Hole Spacing Detail for Bon Power Trowel Blades

