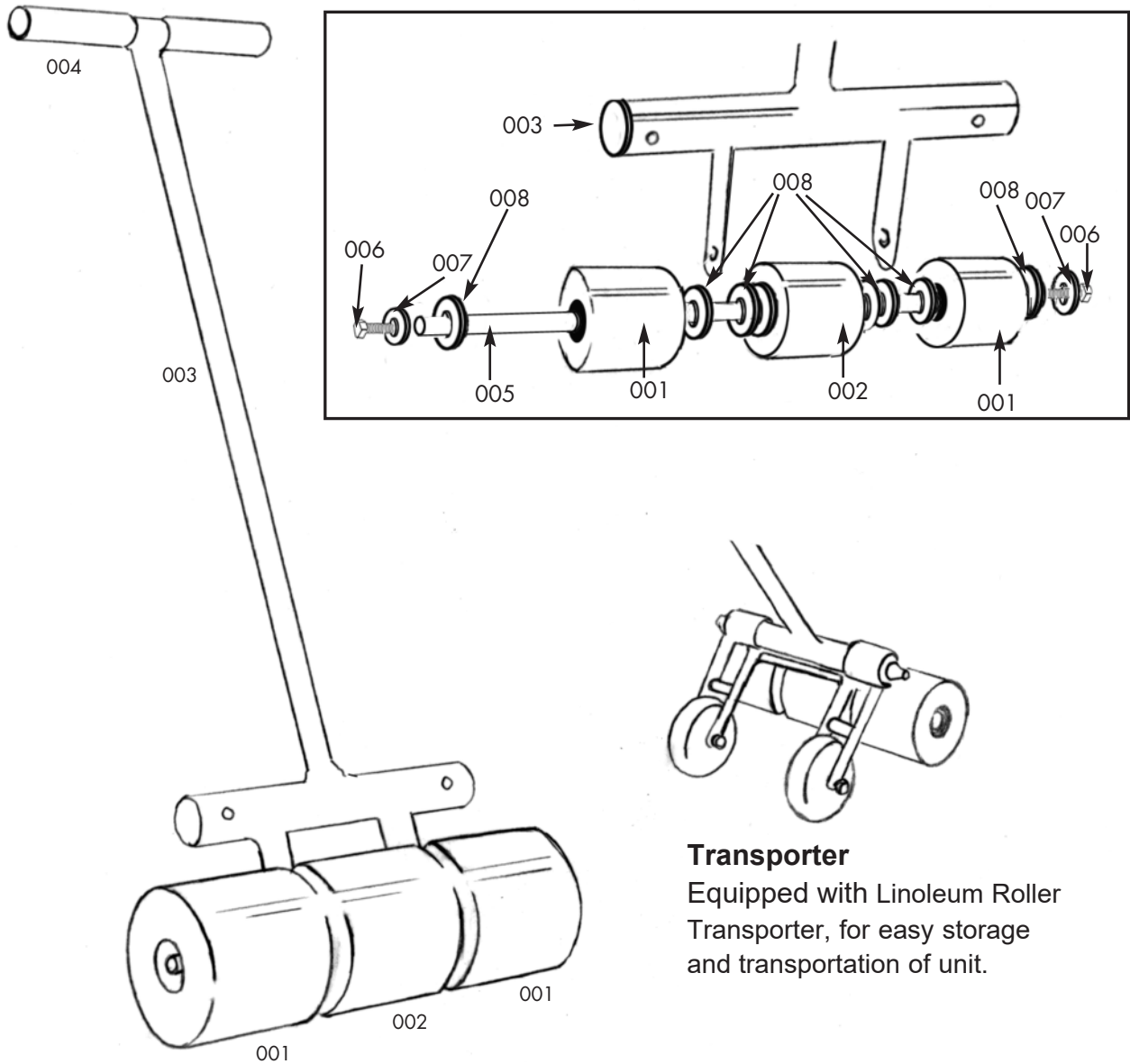


#84-860 / #14-458

# Linoleum Roller with Transporter



**Transporter**  
Equipped with Linoleum Roller  
Transporter, for easy storage  
and transportation of unit.

## Parts List

Ref #	Key #	Part #	Detail	Qty/Unit	Ref #	Key #	Part #	Detail	Qty/Unit
14-555	001	50-313	Outer Rollers for 75 lb. Roller	2					
14-556	001	50-314	Outer Rollers for 100 lb. Roller	2	14-555	005	50-312	Axle	1
14-555	002	50-316	Center Roller for 75 lb. Roller	1	14-555	006	52-377	5/16" Bolt	2
14-556	002	50-317	Center Roller for 100 lb. Roller	1	14-555	007	52-111	5/16" Washers	2
14-555	003	50-311	Handle w/ Grips	1	14-555	008	52-115	2" Flat Washers	8
14-555	004	51-103	Replacement Handle Grips	2					

**Bon**<sup>®</sup>  
Trusted since 1958