

Brick & Tile Wheelbarrow

Bon's Brick & Tile Wheelbarrows are made from seasoned hardwood with a full 3/4" thick bed and dash boards. Available in single or double wheel styles.

- *Undercarriage and legs are made from steel channel*
- *Tires are equipped with zerk fittings*
- *Available with knobby, flat-free, or ribbed tires*
- *Leg Stabilizer*
- *24" x 24" bed*

SINGLE WHEEL MODELS

Part#	Handles	Tire
#11-305	Wood	16" 4-ply Knobby
#28-710	Wood	16" Flat Free
#28-712	Wood	16" 4-ply Ribbed
#28-912	Steel	16" 4-ply Knobby
#28-916	Steel	16" Flat Free
#28-914	Steel	16" 4-ply Ribbed



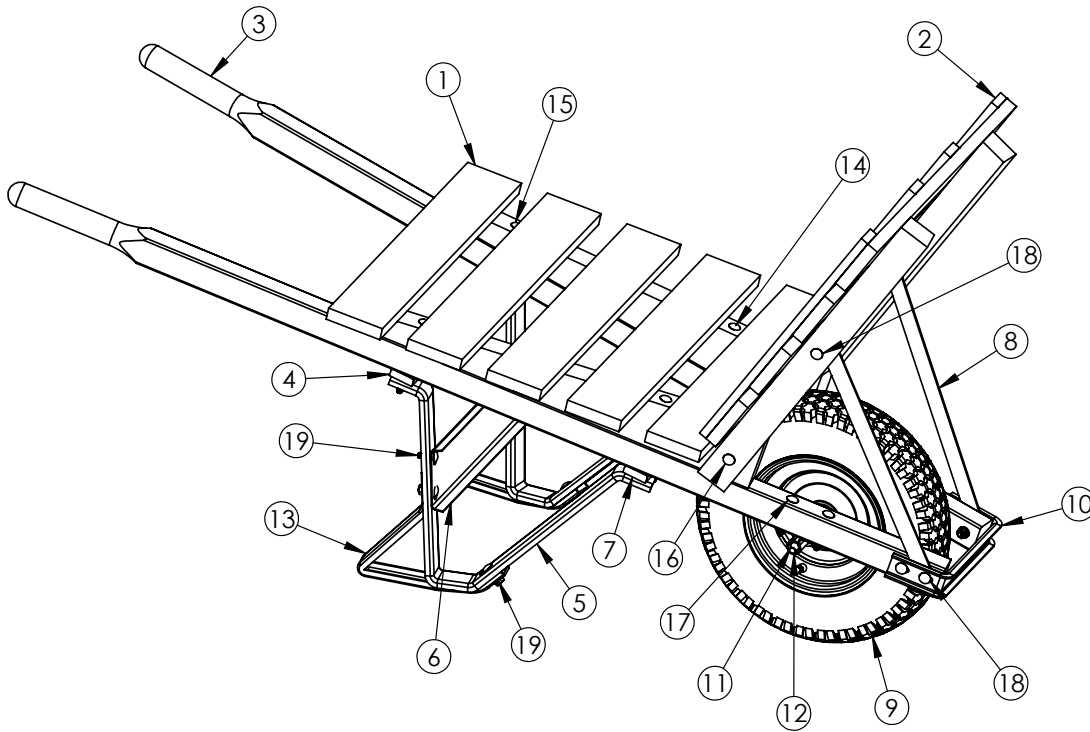
DOUBLE WHEEL MODELS

Part#	Handles	Tire
#11-660	Wood	16" 4-ply Knobby
#28-711	Wood	16" Flat Free
#28-713	Wood	16" 4-ply Ribbed
#28-913	Steel	16" 4-ply Knobby
#28-917	Steel	16" Flat Free
#28-915	Steel	16" 4-ply Ribbed



#11-305/#28-710/#28-712
 #28-912/#28-914/#28-916

Single Wheel Brick & Tile Wheelbarrow



Parts List

Key #	Part #	Detail	Qty/Unit	Key #	Part #	Detail	Qty/Unit
1	11-305-03	Bed	1	12	50-327	Axle Bracket	2
2	11-305-02	Dash	1	13	50-328	Leg Stabilizer	2
3	50-532	Steel Handles (pair)	1	14	52-436	Carriage Bolt $\frac{5}{16}$ " x 6"	2
3	50-244	Wood Handles (pair)	1	15	52-435	Carriage Bolt $\frac{5}{16}$ " x 5"	2
4	50-319	Rear Bed Brace	1	16	52-434	Carriage Bolt $\frac{5}{16}$ " x 3 $\frac{3}{4}$ "	2
5	50-320	Legs	2	17	52-433	Carriage Bolt $\frac{5}{16}$ " x 2 $\frac{1}{2}$ "	4
6	50-321	Leg Brace	1	18	52-401	Carriage Bolt $\frac{5}{16}$ " x 2 $\frac{1}{4}$ "	6
7	50-324	Front Bed Brace	1	19	52-438	Carriage Bolt $\frac{5}{16}$ " x 1"	6
8	50-331	Front Dash Support	2	20	52-127	Washer $\frac{5}{16}$ "	22
9	50-174	Rim and Tire (Knobby)	1	21	52-232	Serrated Nut $\frac{5}{16}$ "	22
9	84-714	Rim and Tire (Flat Free)	1	n/a	80-102	Innertube	1
9	80-105	Rim and Tire (Ribbed)	1	n/a	80-101	Bearings (set of 2)	1
10	50-326	Nose Piece	1	n/a	50-330	Bag of Hardware B/T	1
11	50-245	9-1/2" Axle	1				

Single Wheel Brick & Tile Wheelbarrow

Before assembling your Bon Wheelbarrow please make sure you have the following items.

NOTE: The wheelbarrow comes with ONE pair of handles: wood or steel; ONE wheel type: knobby, flat free or ribbed.

FOR PARTS LIST INFORMATION REFER TO PL11305

KEY#	PART #	DETAIL	QTY/UNIT
1	11-305-03	BED	1
2	11-305-02	DASH	1
3	50-244	WOOD HANDLES (PR)	1
3	50-532	STEEL HANDLES (PR)	1
4	50-319	REAR BED BRACE	1
5	50-320	LEGS	2
6	50-321	LEG BRACE	1
7	50-324	FRONT BED BRACE	1
8	50-331	FRONT DASH SUPPORT	2
9	50-174	RIM & TIRE (KNOBBY)	1
9	84-714	RIM & TIRE (FLAT FREE)	1
9	80-105	RIM & TIRE (RIBBED)	1
10	50-326	NOSE PIECE	1
11	50-245	9-1/2" AXLE	1
12	50-327	AXLE BRACKET	2
13	50-328	LEG STABILIZER	2
14	52-436	CARRIAGE BOLT 5/16" X 6"	2
15	52-435	CARRIAGE BOLT 5/16" X 5"	2
16	52-434	CARRIAGE BOLT 5/16" x 3-3/4"	2
17	52-433	CARRIAGE BOLT 5/16" x 2-1/2"	4
18	52-401	CARRIAGE BOLT 5/16" x 2-1/4"	6
19	52-438	CARRIAGE BOLT 5/16" x 1"	6
20	52-232	SERRATED NUT 5/16"	22
21	80-102	INNERTUBE	1
23	80-101	BEARINGS (set of 2)	1
N/A	50-330	BAG OF HARDWARE B/T	1

ASSEMBLING THE BED, HANDLES, AND LEGS

With the bed (key #1) on its side, insert the 6" Carriage Bolts (key #14) into the front portion (thicker part) of the bed and the 5" Carriage Bolts (key #15) into the back portion (thinner part) of the bed. With the bed face down, lay the Handles (key #3) on top of the Carriage Bolts (make sure that the tapered end of the handle is at the end with the thinner part of the bed). Then lay the Front Bed Brace (key #7) and Rear Bed Brace (key #4) on the carriage bolts. Place the Legs (key #5) on the Carriage Bolts with the holes on the legs facing the back of the bed. Finally, finger tighten a 5/16" Serrated Nut (key #20) on the Carriage Bolts.

Attach the leg brace (key #6) by inserting it between the legs and then using the 1" Carriage Bolts (key #19) and 5/16" Serrated Nuts (key #20) to secure it on the legs. While attaching the Legs (key #5) place the Leg Stabilizer (key #13) to the Leg (key #5) and fasten with the 1" Carriage Bolt (key #19) and 5/16" Serrated Nut (key #20).



ASSEMBLING THE AXLE

Place the Nose Piece (key #10) on the handles and insert two of the 2-1/4" Carriage Bolts (key #18) through the back two holes of the nose piece and handles and hand tighten 5/16" Serrated Nuts (key #20) on the Carriage Bolts. Place the Front Dash Supports (key #8) between the Nose Piece (key #10) and Handles (key #3) and insert the other two 2-1/4" Carriage Bolts (key #18) through the Nose Piece, Front Dash Support, and Handles. Hand tighten 5/16" Serrated Nuts (key #20) on the Carriage Bolts.

Place one Axle Bracket (key #12) on the Handle. Insert the 2-1/2" Carriage Bolts (key #17) through the handle and Axle Bracket. Place a 5/16" Serrated Nut (key #20) on the Carriage Bolts. Place the Axle (key #11) through the Wheel (key #9) and position the Axle and wheel through the Axle Bracket. Place the other Axle Bracket (key #12) on the Axle (key #11) and Handle (key #3). With the brackets, wheel, and axle in place, insert the final 2-1/2" Carriage Bolts (key #17) and 5/16" Serrated Nut (key #20). Center your tire by moving the Axle Brackets (key #12) in against the wheel hub.

Add the Dash (key #2) to the unit by using a 3-3/4" Carriage Bolt (key #16) and 5/16" Serrated Nut (key #20) to the hole on side of the Bed (key #1). Attach Front Dash Support (key #8) to inside of Dash (key #2) using 2-1/4" Carriage Bolt (key #18) and 5/16" Serrated Nut (key #20). Finish by tightening all of the nuts by using a 1/2" wrench and 1/2" socket

MAINTENANCE

Periodically, grease the fitting on the tire. Also, clean your wheelbarrow of debris after using.

Bon[®]
Trusted since 1958