

Brick & Tile Wheelbarrow

Bon's Brick & Tile Wheelbarrows are made from seasoned hardwood with a full 3/4" thick bed and dash boards. Available in single or double wheel styles.

- *Undercarriage and legs are made from steel channel*
- *Tires are equipped with zerk fittings*
- *Available with knobby, flat-free, or ribbed tires*
- *Leg Stabilizer*
- *24" x 24" bed*

SINGLE WHEEL MODELS

Part#	Handles	Tire
#11-305	Wood	16" 4-ply Knobby
#28-710	Wood	16" Flat Free
#28-712	Wood	16" 4-ply Ribbed
#28-912	Steel	16" 4-ply Knobby
#28-916	Steel	16" Flat Free
#28-914	Steel	16" 4-ply Ribbed



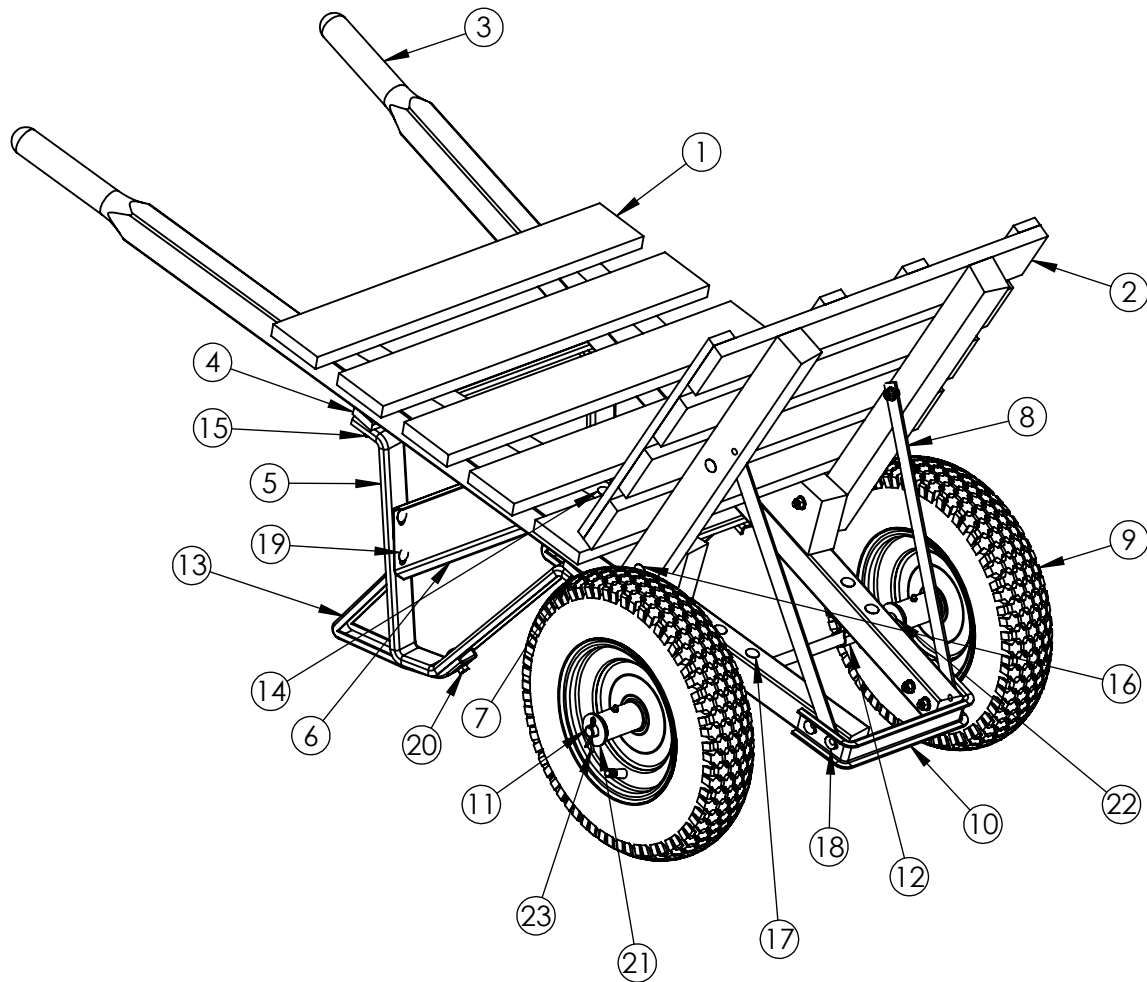
DOUBLE WHEEL MODELS

Part#	Handles	Tire
#11-660	Wood	16" 4-ply Knobby
#28-711	Wood	16" Flat Free
#28-713	Wood	16" 4-ply Ribbed
#28-913	Steel	16" 4-ply Knobby
#28-917	Steel	16" Flat Free
#28-915	Steel	16" 4-ply Ribbed



11-660/# 28-711/# 28-713
 # 28-913/# 28-915/# 28-917

Double Wheel Brick & Tile Wheelbarrow



Parts List

Key #	Part #	Detail	Qty/Unit	Key #	Part #	Detail	Qty/Unit
1	11-305-03	Bed	1	13	50-328	Leg Stabilizer	2
2	11-305-02	Dash	1	14	52-436	Carriage Bolt 5/16" x 6"	2
3	50-244	Wood Handles (pair)	2	15	52-435	Carriage Bolt 5/16" x 5"	2
3	50-532	Steel Handles (pair)	2	16	52-434	Carriage Bolt 5/16" x 3-3/4"	2
4	50-319	Rear Bed Brace	1	17	52-433	Carriage Bolt 5/16" x 2-1/2"	4
5	50-320	Legs	2	18	52-401	Carriage Bolt 5/16" x 2-1/4"	6
6	50-321	Leg Brace	1	19	52-438	Carriage Bolt 5/16" x 1"	6
7	50-324	Front Bed Brace	1	20	52-232	Serrated Nut 5/16"	22
8	50-331	Front Dash Support	2	21	52-108	Washer 5/8" x 1-3/4"	4
9	50-174	Rim and Tire (Knobby)	1	22	50-333	Spacer	2
9	84-714	Rim and Tire (Flat Free)	1	23	52-670	Cotter Pin	2
9	80-105	Rim and Tire (Ribbed)	1	N/A	80-102	Innertube	1
10	50-326	Nose Piece	1	N/A	80-101	Bearings (set of 2)	1
11	50-248	28" Axle	1	N/A	50-330	Bag of Hardware B/T	1
12	50-332	Axle Bracket (Dbl Whl Only)	2				

Double Wheel Brick & Tile Wheelbarrow

Before assembling your Bon Wheelbarrow please make sure you have the following items.

NOTE: The wheelbarrow comes with ONE pair of handles: wood or steel; TWO wheels: knobby, flat free or ribbed.

FOR PARTS LIST INFORMATION REFER TO PL11660

KEY#	PART #	DETAIL	QTY/UNIT
1	11-305-03	BED	1
2	11-305-02	DASH	1
3	50-244	WOOD HANDLES (PR)	1
3	50-532	STEEL HANDLES (PR)	1
4	50-319	REAR BED BRACE	1
5	50-320	LEGS	2
6	50-321	LEG BRACE	1
7	50-324	FRONT BED BRACE	1
8	50-331	FRONT DASH SUPPORT	2
9	50-174	RIM AND TIRE (KNOBBY)	2
9	84-714	RIM & TIRE (FLAT FREE)	2
9	80-105	RIM & TIRE (RIBBED)	2
10	50-326	NOSE PIECE	1
11	50-248	28" AXLE	1
12	50-332	AXLE BRACKET	2
13	50-328	LEG STABILIZER	2
14	52-436	CARRIAGE BOLT 5/16" x 6"	2
15	52-435	CARRIAGE BOLT 5/16" x 5"	2
16	52-434	CARRIAGE BOLT 5/16" x 3-3/4"	2
17	52-433	CARRIAGE BOLT 5/16" x 2-1/2"	4
18	52-401	CARRIAGE BOLT 5/16" x 2-1/4"	6
19	52-438	CARRIAGE BOLT 5/16" x 1"	6
20	52-232	SERRATED NUT 5/16"	22
21	52-108	WASHER 5/8" x 1-3/4"	4
22	50-333	SPACER	2
23	50-670	COTTER PIN	2
N/A	80-102	INNERTUBE	1
N/A	80-101	BEARINGS (SET OF 2)	1
N/A	50-330	BAG OF HARDWARE B/T	1



ASSEMBLING THE AXLE

Place the Axle Bracket (key #12) on the Handle. Use the 2-1/2" Carriage Bolts (key #17) and insert them through the Axle Bracket. Start the 5/16" nuts on all but one of the carriage bolts. Place the 28" Axle (key #11) through the Axle Bracket on both sides. Then insert the final 2-1/2" Carriage Bolt (key #17) and start the 5/16" Nut (key #21). To attach the tires, place one Spacer (key #22) on each of the side of the axle. Place one of the Washers (key #21) on each side of the axle followed by the Wheel (key #9). Finally, place the other washers onto each side of the axle and then put in the Cotter Pins (key #23), through the holes in the axle (bend the cotter pin so as to not allow it to slide out of the hole). Tighten all the 5/16" Serrated Nuts (key #20) with a 1/2" Socket or 1/2" Wrench.

ASSEMBLING THE BED, HANDLES, AND LEGS

With the bed (key #1) on its side insert the 6" Carriage Bolts (key #14) into the front portion (thicker part) of the bed and the 5" Carriage Bolts (key #15) into the back portion (thinner part) of the bed. With the bed face down lay the Handles (key #3) on top of the Carriage Bolts (make sure that the tapered end of the handle is at the end with the thinner part of the bed). Then lay the Front Bed Brace (key #7) and Rear Bed Brace (key #4) on the carriage bolts. Place the Legs (key #5) on the Carriage Bolts with the holes on the legs facing the back of the bed. Finally, finger tighten the 5/16" Serrated Nut (key #20) on the carriage bolts.

Attach the leg brace (key #6) by inserting it between the legs and then using the 1" Carriage Bolts (key #19) and 5/16" Serrated Nuts (key #20) to secure it on the legs. While attaching the Legs (key #5) place the Leg Stabilizer (key #13) to the Leg (key #5) and fasten with the 1" Carriage Bolts (key #19) and 5/16" Serrated Nut (key #20).

Add the Dash (key #2) to the unit by using 3-3/4" Carriage Bolt (key #16) and 5/16" Serrated Nut (key #20) to the hole on side of the Bed (key #1). Attach Front Dash Support (key #8) to inside of Dash (key #2) using 2-1/4" Carriage Bolt (key #18) and Serrated Nut. The Front Dash Support (key #8) will mount to the closest bolt on the Nose Piece (key #10). Make sure to apply the Front Dash Support (key #8) between the Nose Piece (key #10) and Handle (key #3).

Attach the nose piece (key #10) by using the 2-1/4" Carriage Bolts (key #18) and 5/16" Serrated Nuts (key #20). Finally, finish off your assembly by tightening all of the nuts by using a 1/2" wrench and 1/2" socket.

MAINTENANCE

Periodically, grease the fitting on the tire. Also, clean wheelbarrow of debris after using.

Bon[®]
Trusted since 1958