

INSTRUCTIONS

#24-612 Deluxe Adjustable Knee Kicker

INTENDED USAGE

Knee Kickers should be used for positioning carpet, hooking carpet on tack strip, and light stretching in cramped areas. Use a power stretcher for "stretching-in" rooms, since hard kicking can injure the user and damage carpet.

LENGTH ADJUSTMENT

A press of the button allows the choice of 5 length adjustments from 17-1/2" to 21-1/2". Always check that both sets of buttons are engaged before beginning your kicking.

PIN PENETRATION

The pin adjustment dial gives a visual reference showing pin depth. Set the depth to the approximate carpet thickness. In use, the long pins should reach through the pile into the carpet backing, but not through the backing.

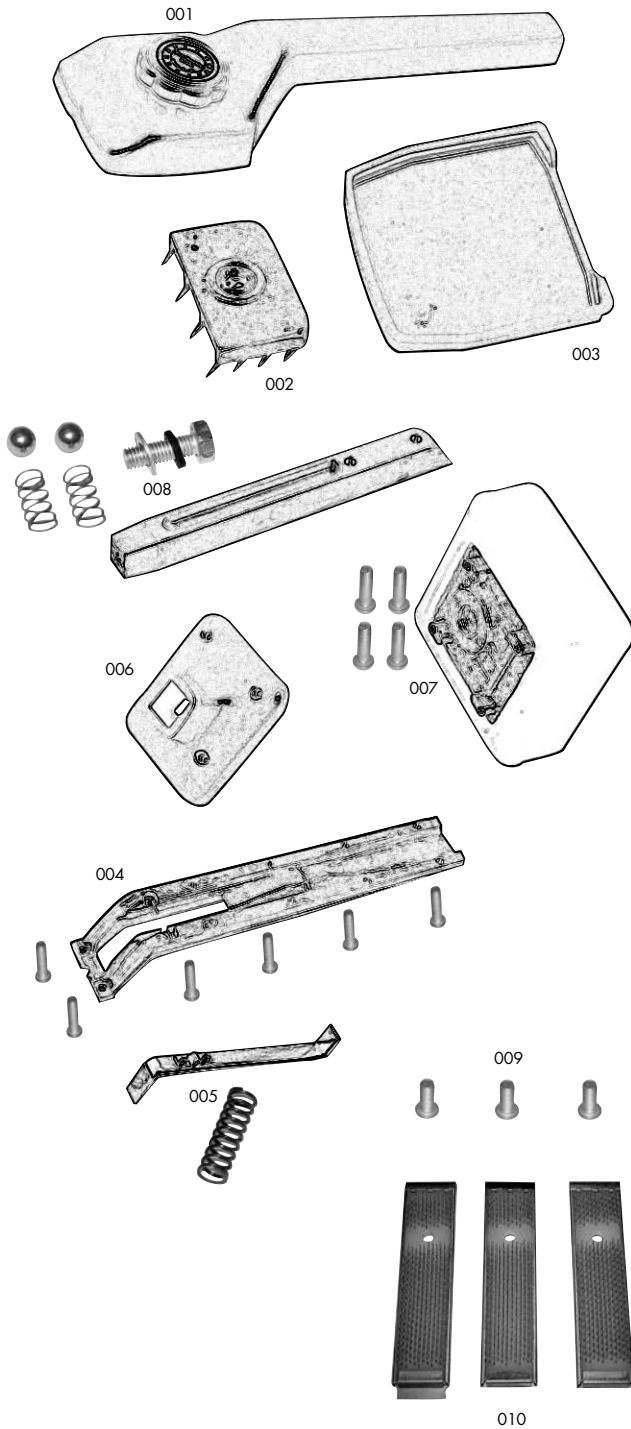
BUMPER PAD ROTATION

The bumper is seamless and is foam-filled. The pad can be turned for an even distribution of wear.



#24-612

Deluxe Adjustable Knee Kicker



Parts List

Ref #	Key#	Part #	Detail	Qty/Unit
24-612	001	50-200	Main Body & Knob Assembly	1
24-612	002	50-201	Pin Plate	1
24-612	003	50-202	Cap Cover	1
24-612	004	50-203	Bottom Cover & Screws	1 Set
24-612	005	50-204	Trigger Assembly & Springs	1 Set
24-612	006	50-205	Bumper Support	1 Set
24-612	007	50-206	Bumper Boot & Screws	1 Set
24-612	008	50-207	Slide with Balls & Springs	1 Set
24-612	009	50-208	Gripper Screws (3/set)	Set of 3
24-612	010	50-209	Gripper Inserts (3/set)	Set of 3