

# INSTRUCTIONS

#21-470 Paver Dolly

The Bon Paver Dolly is used to transport rows of vertically oriented paving blocks raised directly from the pallet to the place where they are to be positioned. Another application of the cart can be used as a platform for transport of various materials at the construction site. The tool is versatile and suitable for applications where speed is a factor.

## PRODUCT SPECIFICATIONS

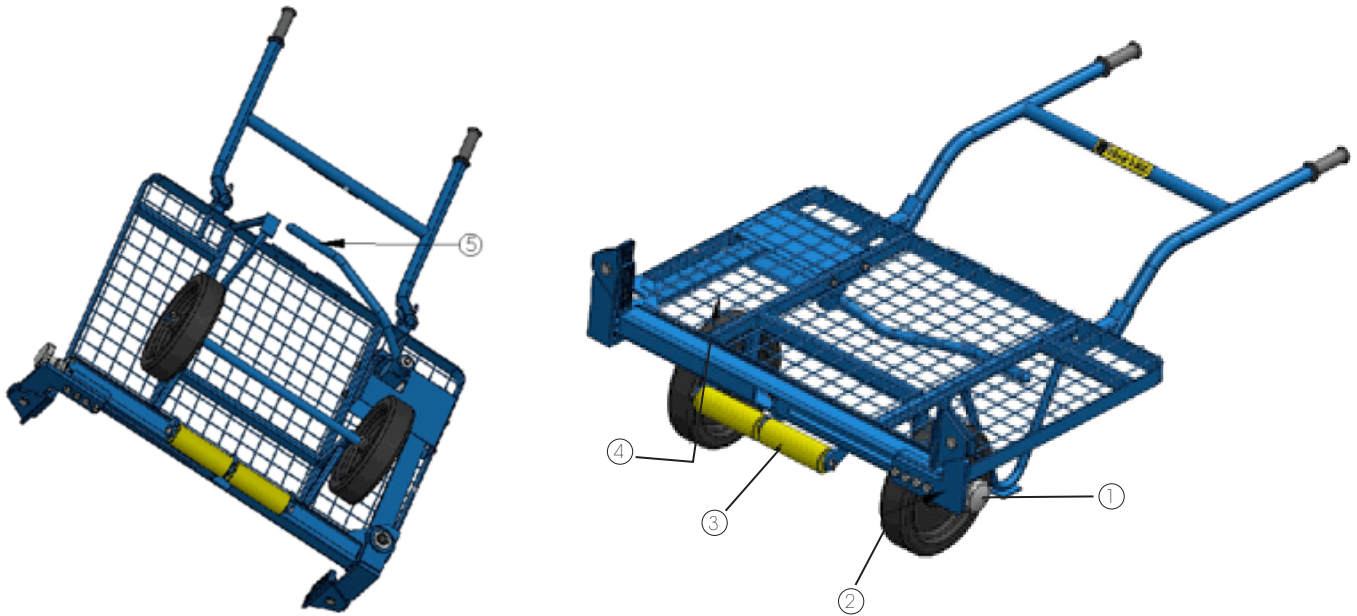
- Grip width: 22-1/2" to 35"
- Maximum layer height: 27-1/2"
- Maximum grip length: 7-3/4"
- Maximum cart load: 440 lbs.

## • SAFETY CHECKLIST

- The cart should be used in accordance with its purpose
- The cart should only be operated by trained personnel who are familiar with the instructions for use
- The cart may not be operated by a worker who is in bad health or under the influence of alcohol or other intoxicants
- The surface over which work is being performed should be clear of materials and elements that could cause slipping or tripping of the operator
- During raising and unloading of transported layers of paving blocks special caution should be taken, because the cart exerts strong forces on the operator and may escape from his hands or strike him
- During raising and unloading of transported layers of paving blocks special caution should be taken not to hit or crush persons found in the vicinity
- Do not leave the cart with fastened blocks for too long, because the clamp may loosen, and when the material is unloaded, it may be scattered. If there is a need to leave the cart before unloading paving blocks, the clamp jaws should be inspected
- Do not leave the cart unsupervised
- Only a cart in good technical state should be used

## INSTRUCTIONS

- Before using cart, inspect condition for the following and correct as needed:
  - Oil leaks
  - Loose bolts and screws
  - Damaged areas
  - General function



- Set the clamping jaw (1) to the desired dimension by loosening the 4 clamping screws (2) so that there is about 10mm of clearance between the jaw and the material (other jaw in contact with the material); the moving jaw should be withdrawn as much as possible from the material. After this has been done, the 4 screws are to be fastened again (2).
- Roll the cart onto the pallet, put it in a vertical position on its rollers (3) so that the entire surface of the platform (4) rests on the transported material. Next, close the clamping jaws using the lever (5).
- Place the cart in a horizontal position on its driving wheels, and pull it to the unloading location.
- Set the cart in vertical position, pull the lever (5) to its position before clamping. Carefully roll the cart away so as not to cause toppling of the unloaded layer of paving blocks.

## MAINTENANCE

- The cart should be cleaned every day after work with special attention being paid to the clamping system, rollers and driving wheels
- Once a week, the moving arm bolt should be lubricated with solid lubricant (graphite-molybdenum) by means of the lubricant fitting found on the arm's bracket