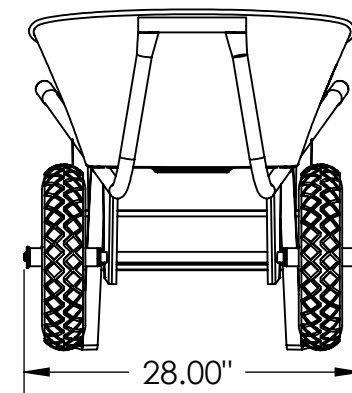
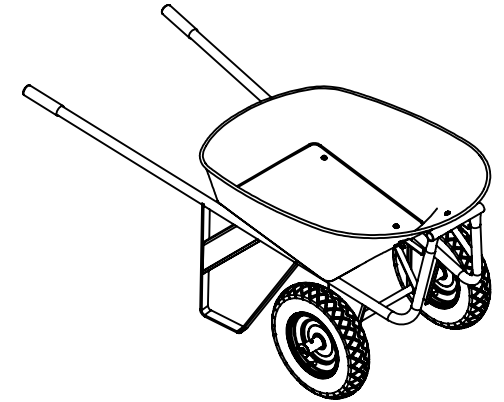
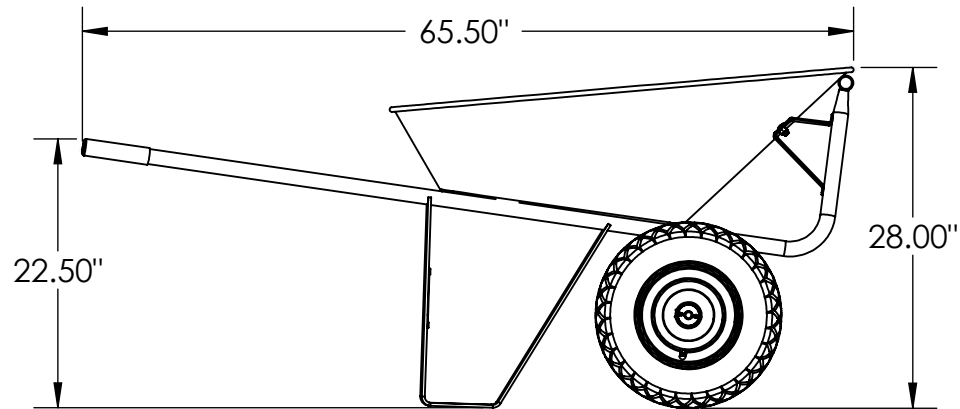
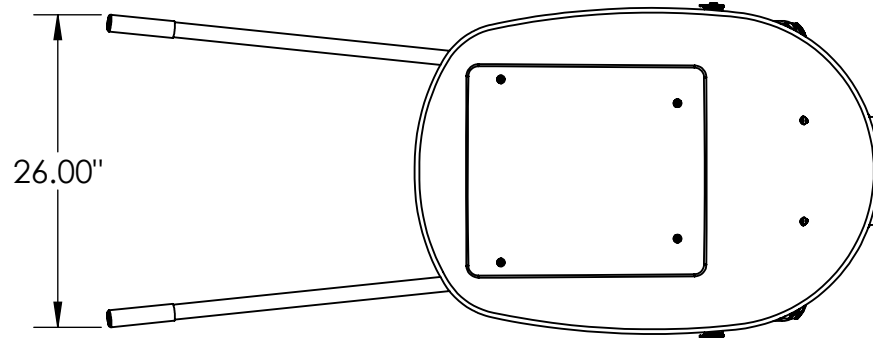


Bon[®]

PRODUCT DIMENSIONS

ROOFER'S BARROW - DOUBLE WHEEL: #19-102 / #19-105



Discover other hand pruners on our website.