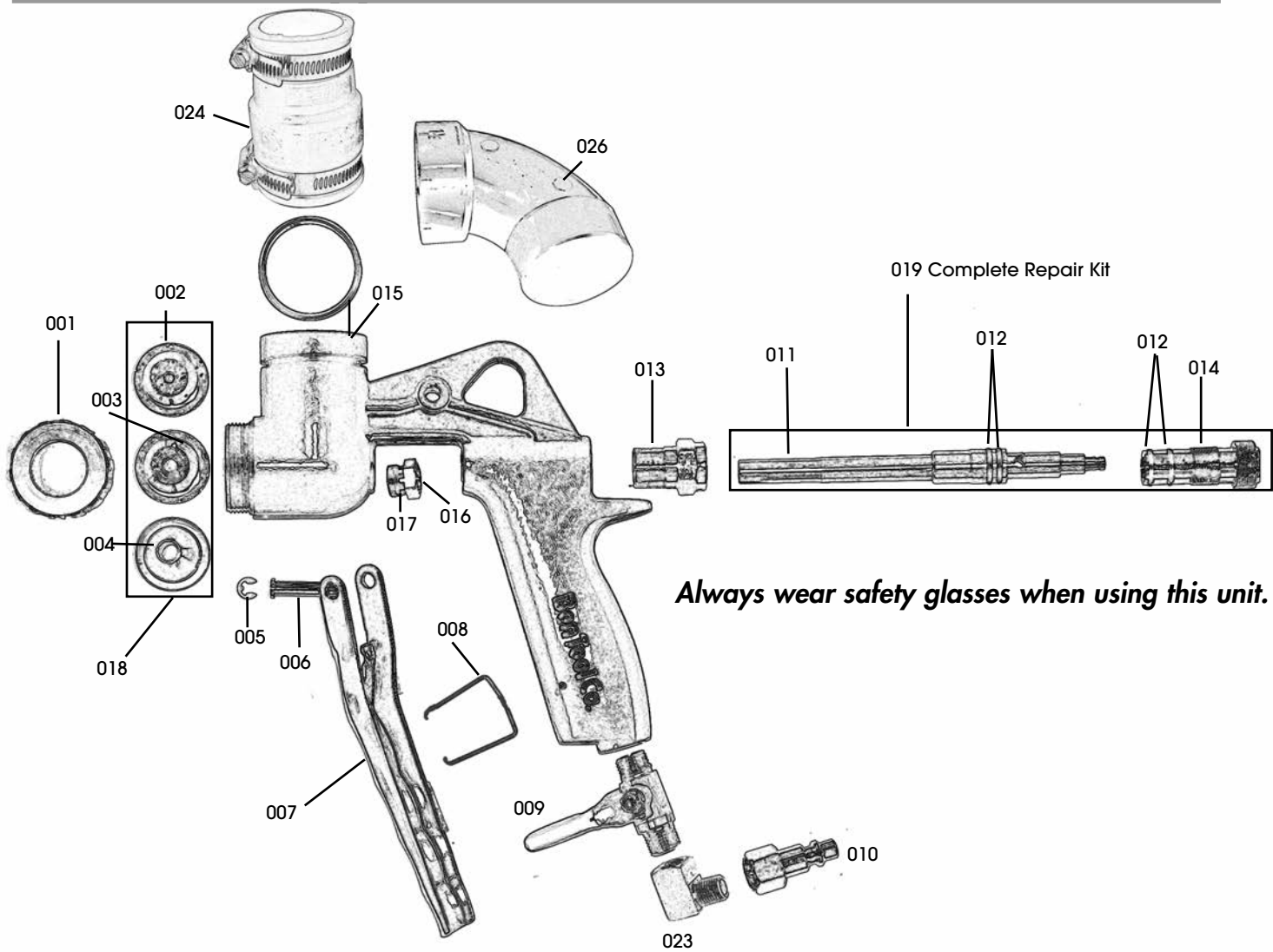


#13-172 / #13-176 / #13-191

Bon Gun & Hoppers



Always wear safety glasses when using this unit.

Parts List

| Part # | Key # | Detail | Qty/Unit | Part # | Key # | Detail | Qty/Unit |
|--------|-------|------------------|----------|---------|-------|--------------------------------|----------|
| 50-710 | 001 | Retaining Ring | 1 | 50-723 | 014 | Control Knob Assembly | 1 |
| 50-711 | 002 | 4mm Nozzle Fluid | 1 | 50-724 | 015 | O-Ring | 1 |
| 50-712 | 003 | 6mm Nozzle Fluid | 1 | 50-725 | 016 | Bushing Nut | 1 |
| 50-713 | 004 | 8mm Nozzle Fluid | 1 | 50-726 | 017 | O-Ring | 1 |
| 50-714 | 005 | E-ring | 1 | 50-727 | 018 | Repl. Nozzle set | 1 |
| 50-715 | 006 | Trigger Pin | 1 | 13-111 | 019 | Repair Kit (Complete as above) | 1 |
| 50-716 | 007 | Gun Trigger | 1 | 50-729 | | Spray Gun Only | 1 |
| 50-717 | 008 | Trigger Latch | 1 | 50-730* | | Standard Hopper- Black | 1 |
| 50-718 | 009 | Air Inlet Valve | 1 | 50-734* | | Standard Hopper- White | 1 |
| 50-719 | 010 | Hose Connector | 1 | 50-731* | | Touch-Up Hopper - Black | 1 |
| 50-720 | 011 | Air Stem | 1 | 50-732 | 023 | Brass Elbow | 1 |
| 50-721 | 012 | O-Ring x 4 | 4 | 50-733 | 024 | Rubber Coupler | 1 |
| 50-722 | 013 | Guide Nut | 1 | 50-735 | 026 | 90° Plastic Elbow | 1 |

* Only one hopper per unit