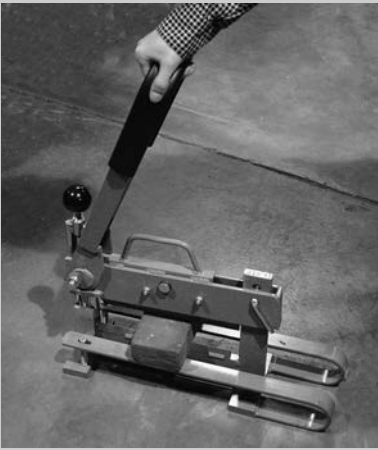


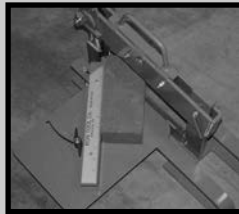


SPLITTING BRICKS

1. Pull the Hairpin Cotter Pin and the Back Height Adjustment Pin to adjust the back height of one of the three height adjustment spaces. Then reinsert the Back Height Adjustment Pin and the Hairpin Cotter Pin.



2. Then, with the handle in the "up" position, place the brick in the center of the blades underneath the Blade Hinge Pin. For accurate angle cutting, use our optional Cutting Guide Table (sold separately).



3. If the bottom blade is not touching the brick, adjust the bottom base spring height by tightening down both Bottom Base Hex Bolts until the table height is equal to the bottom blade.



4. Next, adjust the Tension Knob so that the top blade is flush with brick. Push down the handle by using the black rubber covering on the handle to split the brick.



Bon's Paver & Brick Buster is of the newest generation of portable brick splitters. This innovative splitter offers fast easy cutting of bricks and pavers. Each hardened blade has three cutting edges to provide longer life, and with three height adjustment sizes and a fine adjustment for the top blade. Bon's Paver & Brick Buster saves time, is portable, and is economically priced.

Bottom Blade Replacement – Do not attempt to pry the welded clamps. Use the following instructions to replace the bottom blade or to change the cutting side of the blade. Remove both Base Hex Bolts and the Base Springs. Then, remove the bottom Allen Bolt. After you remove the bottom Allen Bolt, pull the Hairpin Cotter Pin and remove the Back Height Adjustment Pin. The Top Throat Assembly is then able to be separated from the bottom base. The blade can then be easily removed. Reversing the above instructions, assemble the unit back together and you are ready to start using Bon's Paver & Brick Buster again.

Top Blade Replacement – Do not attempt to break the welded clamps. Remove the Hairpin Cotter Pin and remove the Back Height Adjustment Pin. Then, the Top Throat Assembly can be pushed forward. Then remove one of the Snap Rings and the Top Hinge Pin. The Top Blade Assembly can then be removed and the blade changed. Reversing the above instructions, assemble the unit back together and the unit is ready to use again.

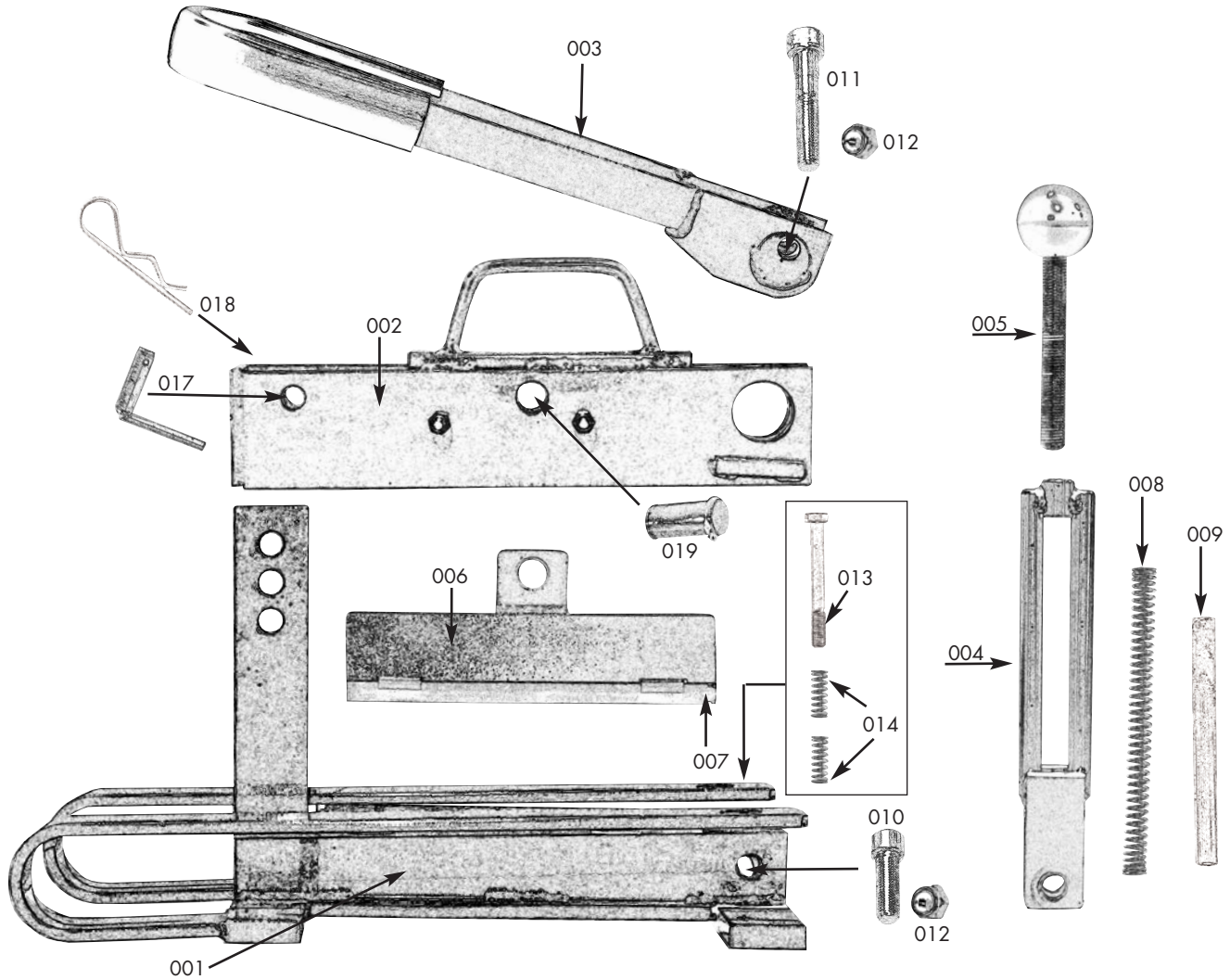
Maintenance

Be sure to grease the Blade Hinge Pin and Tension Knob regularly. Keep the splitter clean.

ALWAYS WEAR SAFETY GLASSES WHEN OPERATING UNIT TO AVOID INJURY.

11-590

Bon's Paver & Brick Buster



Parts List

Ref #	Key #	Part #	Detail	Qty/Unit	Ref #	Key #	Part #	Detail	Qty/Unit
11-590	001	50-660	Bottom Base	1	11-590	012	50-670	Lock Nut 5/8"	2
11-590	002	50-661	Top Throat Assembly w/ Carry Handle	1	11-590	013	50-671	Hex Bolt 5/16" x 3 1/8"	2
11-590	003	50-662	Splitter Handle	1	11-590	014	50-672	Base Spring 1/2" x 1 3/8"	4
11-590	004	50-663	Front Height Adjustment	1	11-590	015	50-673	Hex Bolt 5/16" x 1 5/8"	2
11-590	005	50-664	Tension Knob	1	11-590	016	50-674	Lock Nut 5/16"	2
11-590	006	50-665	Top Blade Asbly w/ Blade Clamp	1	11-590	017	50-675	Back Height Adjustment Pin	1
11-590	007	11-548	Blade	2	11-590	018	50-676	Hairpin Cotter Pin	1
11-590	008	50-666	Front Adjustment Spring	1	11-590	019	50-677	Blade Hinge Pin	1
11-590	009	50-667	Steel Rod 3/8" x 5 5/16"	1	11-590	020	50-678	Snap Rings for Blade Hinge Pin	2
11-590	010	50-668	Allen Bolt 5/8" x 3 1/2"	1	11-590	021	50-679	Felt Bushing for Handle	2
11-590	011	50-669	Allen Bolt 5/8" x 5"	1	11-590	022	50-680	Felt Bushing for Front Height Adj.	2

Bon[®]
Trusted since 1958

When it comes to quality concrete, masonry, drywall tools, Bon Pro Plus is the brand you can depend on.