

INSTRUCTIONS

#11-543 Paver/Wall Splitter

Bon's Paver/Wall Splitter is designed to split man made pavers and retaining wall units.

TO OPERATE:

To split paver or retaining wall units, open handle to full position. Remove blade adjustment pin and raise top blade to height of material to be cut. Insert adjustment pin in next available hole along adjustment shaft.



Correct
handle
position



Incorrect
handle
position

If the handle is adjusted to a position greater than 45°, the proper leverage will not be created. Press down on handle to split unit. For harder materials, it may be necessary to repeat this process. To create next cut, open handle to full open position. Turn crank handle in counter clockwise motion to raise blade. Repeat process.

Place material to be cut in the center of the base. Lower tip blade by turning crank handle clockwise and lower handle until it rests at a 45° angle to base.



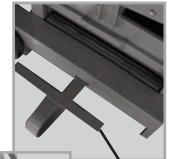
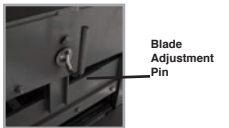
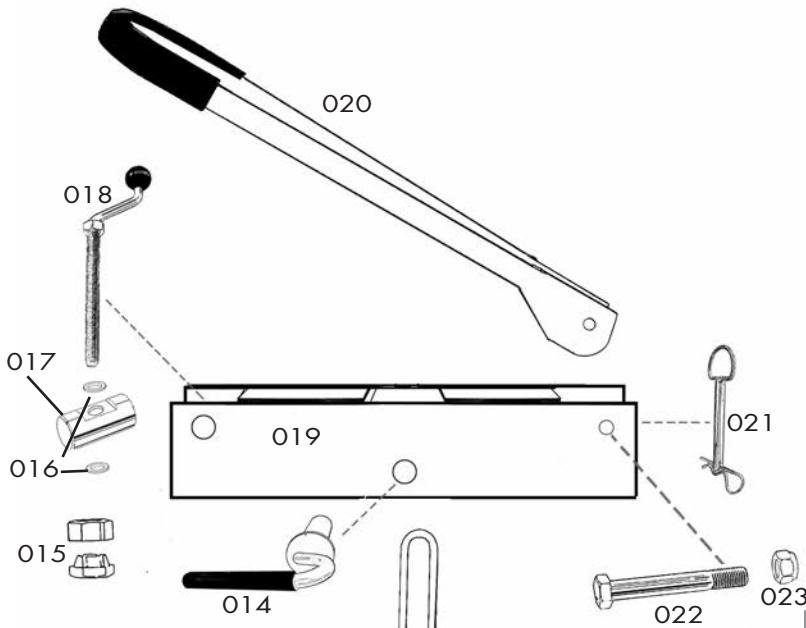
To transport unit, open handle to full open position. Insert support pin through holes at the end of the handle to lock handle in open position.

Specifications for 11-543 Paver Splitter

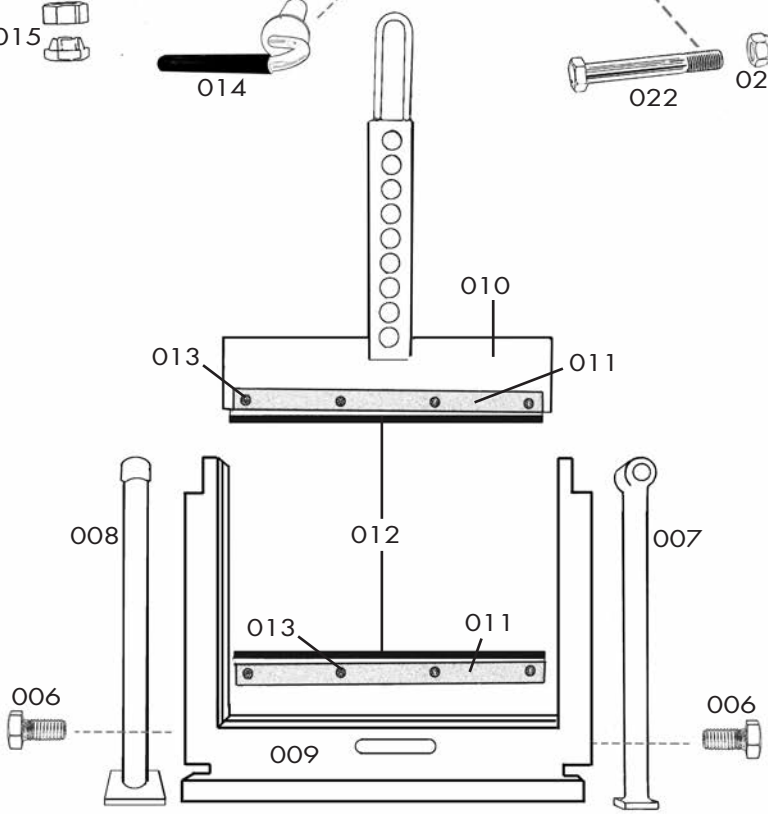
Technical Data	11-543-C5
Cutting Length	16"
Cutting Depth	1"-12"
Length	32"
Width	16 1/8"
Height	35 1/2"
Weight	124 lbs.
Replacement Blade	11-406-B5

#11-543

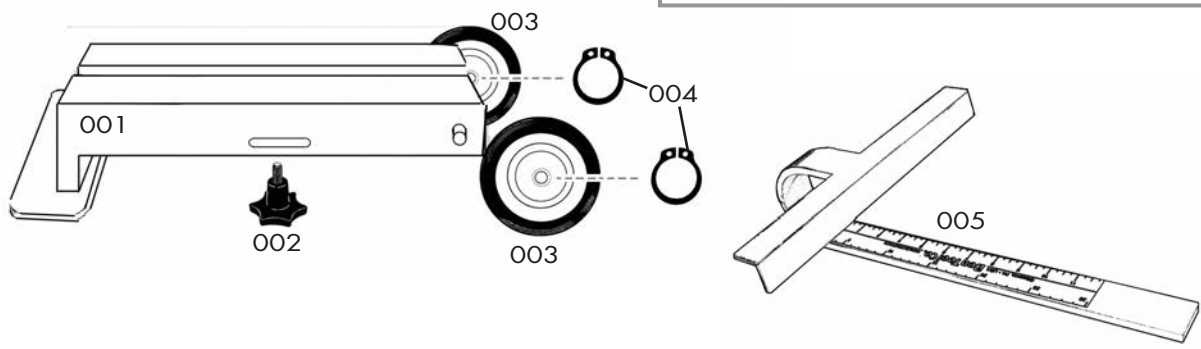
Bon's Paver & Wall Splitter



Fine adjustments are made with the unique front crank handle



Ref #	Key #	Part #	Detail	Qty/Unit
11-543	001	50-630	Base	1
11-543	002	50-631	Scale Adj. Knob	1
11-543	003	50-632	Wheel	2
11-543	004	50-633	Snap Ring	2
11-543	005	50-634	Adjustable Back Stop w/ Rule	1
11-543	006	50-635	Hex Head Screw	2
11-543	007	50-636	Pivot Rod	1
11-543	008	50-637	Adjustment Rod	1
11-543	009	50-638	Bottom Blade Holder	1
11-543	010	50-639	Top Blade Holder	1
11-543	011	50-640	Blade Stabilizing Plate	4
11-543	012	11-406	Blade (1each - Top and Bottom)	2
11-543	013	50-641	Hex Head Bolt Nut Washer	8
11-543	014	50-642	Blade Adj. Pin	1
11-543	015	50-643	Crank Handle Nuts (2)	1
11-543	016	50-644	Crank Handle Washers	2
11-543	017	50-645	Crank Handle Guide	1
11-543	018	50-646	Crank Handle	1
11-543	019	50-647	Top Assembly	1
11-543	020	50-648	Handle	1
11-543	021	50-649	Support Pin	1
11-543	022	50-650	Hex Head Bolt	1
11-543	023	50-651	Hex Head Nut	1



Bon[®] *Trusted since 1958*

When it comes to quality concrete, masonry, drywall tools, Bon Pro Plus is the brand you can depend on.