

# SFA Companies

Professional Catalog

**OMEGALIFT**  
EQUIPMENT



**HEIN-WERNER  
AUTOMOTIVE**

**Porto-Power**  
BLACKHAWK AUTOMOTIVE



**OMEGA**  
*Pro*



**Pro-Lift  
HD**

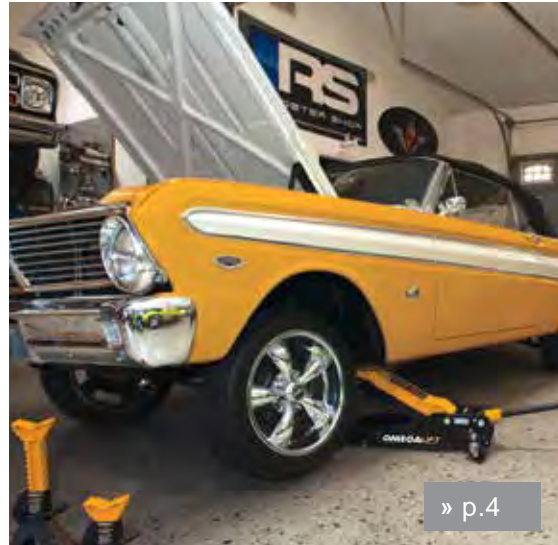
**Pro-Lift**

**BANNER**  
BLACKHAWK AUTOMOTIVE

**THE BONE**

# TABLE OF CONTENTS

## MASTER CATALOG



» p.4

### 4 OMEGA LIFT EQUIPMENT

Omega Lift Equipment is SFA's premier import line of commercial quality lifting and shop equipment. The equipment is designed with patented, unique features and offers ease of usability and durability. With current ASME/PASE safety standards in mind when creating these products Omega Lift Equipment offers affordable, Dependable, Quality product to the commercial market place. All Omega Lift Equipment offers a one year manufacturer warranty, please see warranty section for added information.

### 44 OMEGA PRO

Omega Pro feature unique tools and equipment to help fulfill your shops needs. Air Tools, Tool Carts, etc available to help meet all product needs within a shop. All Omega Pro Equipment offers a one year manufacturer warranty, please see warranty section for added information.

### 50 HEIN-WERNER AUTOMOTIVE

Hein-Werner Automotive line has stood for quality, durability, performance and incorporation of US Manufacturing for decades. TAA / BAA Compliance as well as National Stock Numbers has made this lift equipment line a staple of GSA contracts for many generations. All Hein-Werner Automotive equipment strives to adhere to current ASME/PASE safety regulations. All Hein-Werner Automotive Equipment products carries a two year manufacturer's warranty, please see warranty section for added information.

### 76 BLACKHAWK AUTOMOTIVE PLATINUM SERIES

Blackhawk Automotive Platinum Series offers high end, heavy duty equipment focused on longevity and ease of use. Product line is TAA compliant with manufacturing in Taiwan. All Blackhawk Automotive Platinum Series equipment strives to adhere to current ASME/PASE safety regulations. All Blackhawk Automotive offers up to a 5 year manufacturer warranty, please see warranty section for added information.

### 80 BLACKHAWK AUTOMOTIVE

Blackhawk Automotive offers alternative options of an import line of commercial quality lifting and shop equipment. The equipment is designed with patented, unique features and offers ease of usability and durability. With current ASME/PASE safety standards in mind when creating these products Blackhawk Automotive offers Affordable, Dependable, Quality product to the commercial market place. All Blackhawk Automotive offers a one year manufacturer warranty, please see warranty section for added information.



» p.44



» p.50



» p.76



» p.80

### 96 BANNER

Banner by Blackhawk Automotive offers safe, cost effective alternatives for commercial and/or home users. All Banner equipment meets ASME/PASE 2014 safety regulations. All Banner equipment offers a one year manufacturer warranty; please see warranty section for added information.

### 100 PORTO-POWER

Porto-Power is the leading name in the automotive repair industry for body repair and hydraulic tools. Porto-Power's reputation is based on years of dependability, innovation and industry leading quality on a wide variety of body repair and frame straightening equipment.

### 114 BONE CREEPER™

Bone Creeper line is 100% made in the USA and has stood for quality and durability for well over 20 years. Strong, resilient the easiest maneuverability of any creeper in the market has made the Bone Creeper a mechanic's choice for over two decades. All Bone Creepers offers a one year manufacturer warranty on the board and casters, LIFETIME warranty on wheels; please see warranty section for added information.

### 118 PRO-LIFT HD

Pro-Lift HD products focus on the repair of outdoor equipment specifically towards ATV, UTV and Snowmobiles. Consumer and Professional grade lifts available to fit the need of all enthusiasts in this market place. All Pro-Lift HD equipment offers a one year manufacturer warranty; please see warranty section for added information.

### 122 PRO-LIFT

Pro-Lift products have consistently led the industry in quality and innovation. Designed after professional grade equipment standards, Pro-Lift equipment strive to meet current ASME/PASE safety standards and is kept under close quality control standards from factory to your home. Our patented products provide a unique twist to your garage maintenance needs. All Pro-Lift equipment offers a one year manufacturer warranty; please see warranty section for added information.



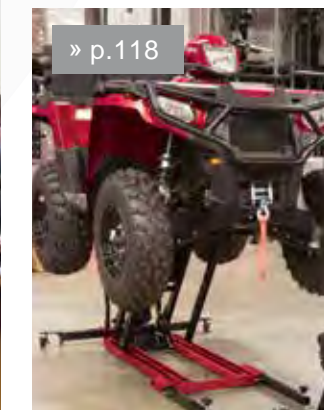
» p.96



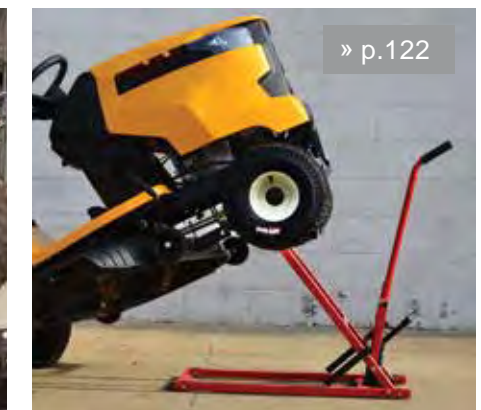
» p.100



» p.114



» p.118



» p.122

# OMEGALIFT™ EQUIPMENT

## Chapter Table of Contents

|       |   |       |                                 |
|-------|---|-------|---------------------------------|
| 6-7   | Side Pump Bottle Jacks                        | 28    | Floor Style Transmission Jacks  |
| 7     | Low Profile Side Pump Bottle Jacks            | 29    | Clutch Jack                     |
| 8     | Toe Jacks                                     | 30    | Engine Stand                    |
| 8     | External Spring Return Air Bottle Jacks       | 30    | Rotating Head Engine Stand      |
| 9     | In-Line Bottle Jacks                          | 31    | Engine Crane and Accessories    |
| 9     | In-Line Low Profile Bottle Jacks              | 32    | Long Jacks                      |
| 10    | Air/Manual Hydraulic Bottle Jacks             | 33    | Wheel Dollies                   |
| 11    | High Tonnage Air/Manual Hydraulic Bottle Jack | 33    | Car Dolly                       |
| 12    | Magic Lift™ Service Jacks                     | 33    | Break Drum Handler              |
| 13    | Low Profile Magic Lift™ Service Jacks         | 34    | Body Repair Kits                |
| 14    | Aluminum Hybrid Service Jacks                 | 35    | Treadle Pumps                   |
| 15-17 | Long Chassis Service Jacks                    | 35    | Low Profile Cylinder Kit        |
| 15-17 | Air Hydraulic Long Chassis Service Jacks      | 36    | Bead Breaker                    |
| 18    | Magic Lift™ Jack Stands                       | 36    | Bead Breaker Combo              |
| 19    | Standard Ratchet Style Jack Stands            | 36    | Forklift Jack                   |
| 20    | Dual Locking Jack Stands                      | 36    | Oil Drain                       |
| 21    | High Lift Jack Stands                         | 37    | Truck Ramps                     |
| 21    | Forklift Jack Stands                          | 37    | Rolling Service Tray            |
| 22    | Auxiliary High Reach Stands                   | 38-39 | Shop Presses and Accessories    |
| 22    | Air Jack with Support Stand                   | 40    | 2-in-1 Z-Creeper                |
| 23    | Axle Jack                                     | 40    | 3-in-1 Low-Profile Z-Creeper    |
| 23    | Low-Profile Axle Jack                         | 41    | Plastic Molded Creepers         |
| 23    | Air Return Axle Jack                          | 42    | Low-Profile Creeper             |
| 24    | Axle Jack/Air Impact Wrench Combo             | 42    | 2-in-1 Shop Seat/Stepping Stool |
| 24    | 2 Stage Axle Jack                             | 42    | Toolbox Show Seat               |
| 25    | High Tonnage Axle Jacks                       | 43    | Wheel Arm™                      |
| 26-27 | Telescopic Transmission Jacks                 |       |                                 |

Omega Lift Equipment is SFA's premier import line of commercial quality lifting and shop equipment. The equipment is designed with patented, unique features and offers ease of usability and durability. With current ASME/PASE safety standards in mind when creating these products Omega Lift Equipment offers affordable, Dependable, Quality product to the commercial market place. All Omega Lift Equipment offers a one year manufacturer warranty, please see warranty section for added information.

This photo is for marketing purposes only and does not directly reflect on how products should be used. Please refer to your products Owners Manuals for suggested uses.

## BOTTLE JACKS

### Side Pump Bottle Jacks



| Model  | Description        | Height (Min / Max) | Hydraulic Lifting | Screw Height | Base Size (L x W) | Weight    |
|--------|--------------------|--------------------|-------------------|--------------|-------------------|-----------|
| 10025B | 2 Ton Bottle Jack  | 7.25" / 14.25"     | 4.50"             | 2.25"        | 3.88" / 3.63"     | 7.00 lbs  |
| 10045B | 4 Ton Bottle Jack  | 8.00" / 16.00"     | 5.38"             | 2.50"        | 4.25" / 4.00"     | 9.00 lbs  |
| 10065B | 6 Ton Bottle Jack  | 8.75" / 17.50"     | 5.75"             | 3.13"        | 4.50" / 4.13"     | 12.00 lbs |
| 10085B | 8 Ton Bottle Jack  | 8.88" / 17.63"     | 6.00"             | 2.75"        | 4.75" / 4.63"     | 14.00 lbs |
| 10125B | 12 Ton Bottle Jack | 9.50" / 15.63"     | 6.00"             | 3.13"        | 6.00" / 5.38"     | 18.00 lbs |

\* 10085B and 10125B are the only standard bottle jacks that have carry handles.

## BOTTLE JACKS

### Side Pump Bottle Jacks

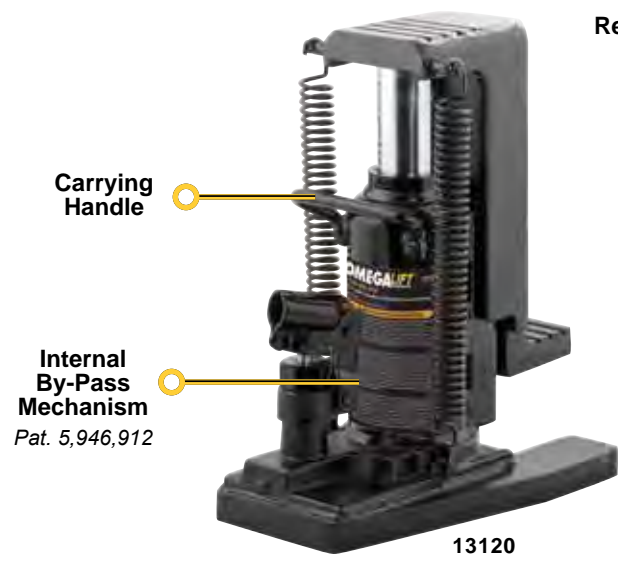


| Model  | Description               | Height (Min / Max) | Hydraulic Lifting | Screw Height | Base Size (L x W) | Weight     |
|--------|---------------------------|--------------------|-------------------|--------------|-------------------|------------|
| 10205B | 20 Ton Bottle Jack        | 9.75" / 18.50"     | 5.50"             | 3.00"        | 6.38" / 6.00"     | 28.00 lbs  |
| 10300  | 30 Ton Bottle Jack        | 11.00" / 18.00"    | 7.00"             | -            | 8.13" / 6.88"     | 56.00 lbs  |
| 10500  | 50 Ton Bottle Jack        | 9.50" / 13.88"     | 4.38"             | -            | 10.75" / 7.63"    | 103.50 lbs |
| 10129B | 12 Ton Shorty Bottle Jack | 6.50" / 11.00"     | 3.00"             | 1.50"        | 5.00" / 5.38"     | 14.00 lbs  |
| 10209B | 20 Ton Shorty Bottle Jack | 6.63" / 11.50"     | 3.00"             | 1.75"        | 6.00" / 6.50"     | 21.00 lbs  |

### Low Profile Side Pump Bottle Jacks

# AIR BOTTLE JACKS & TOE JACKS

## Toe Jacks



## External Spring Return Air Bottle Jacks



| Model  | Description                              | Height (Min / Max) | Hydraulic Lifting | Base Size (L x W) | Weight    |
|--------|--|--------------------|-------------------|-------------------|-----------|
| 13120  | 6 Ton Toe Jack                           | 0.88" 15.63"       | 5.13"             | 11.00" 7.50"      | 57.50 lbs |
| 13200  | 10 Ton Toe Jack                          | 1.00" 16.00"       | 5.00"             | 11.75" 9.00"      | 87.00 lbs |
| 18126C | 12 Ton Spring Return Air Hyd Bottle Jack | 9.63" 18.50"       | 5.50"             | 8.00" 5.25"       | 27.00 lbs |
| 18206C | 20 Ton Spring Return Air Hyd Bottle Jack | 9.75" 19.00"       | 5.88"             | 9.00" 7.00"       | 37.00 lbs |

# IN-LINE BOTTLE JACKS

## In-Line Bottle Jacks



## Jack Pad



## In-Line Low Profile Bottle Jacks



| Model | Description                | Height (Min / Max)                 | Hydraulic Lifting | Screw Height | Base Size (L x W) | Weight    |
|-------|----------------------------|------------------------------------|-------------------|--------------|-------------------|-----------|
| 10120 | 12 Ton In-Line Jack        | 9.25" 18.63"                       | 6.13"             | 3.13"        | 7.00" 4.25"       | 19.50 lbs |
| 10200 | 20 Ton In-Line Jack        | 9.50" 18.63"                       | 6.00"             | 3.25"        | 7.75" 5.13"       | 27.00 lbs |
| 10208 | 20 Ton In-Line Shorty Jack | 6.50" 11.25"                       | 3.25"             | 1.50"        | 7.38" 5.00"       | 21.00 lbs |
| 90020 | 20 Ton Jack Pad            | 12" Length x 12" Width x 1" Height |                   |              |                   | 5.00 lbs  |

\* Excluding: 90020

## AIR/MANUAL BOTTLE JACKS

12 Ton Air/Manual Bottle Jack



Effortless Air Operation

Internal By-Pass Mechanism  
Pat. 5,946,912

High Speed Air Turbo Motor  
Pat. 6,012,377

20 Ton Air/Manual Bottle Jack



Welded Construction

20 Ton Low Profile Air/Manual Bottle Jack



Extra Large Base



| Model  | Description                     | Height (Min / Max) |        | Hydraulic Lifting | Screw Height | Base Size (L x W) |       | Weight    |
|--------|---------------------------------|--------------------|--------|-------------------|--------------|-------------------|-------|-----------|
| 18124C | 12 Ton Air Actuated Bottle Jack | 9.50"              | 18.25" | 5.50              | 3.25"        | 7.88"             | 6.25" | 26.00 lbs |
| 18204C | 20 Ton Air Actuated Bottle Jack | 10.00"             | 18.75" | 4.88"             | 3.88"        | 8.50"             | 7.13" | 34.00 lbs |
| 18209  | 20 Ton Air Actuated Bottle Jack | 8.00"              | 15.50" | 4.13"             | 3.25"        | 8.50"             | 7.25" | 36.74 lbs |

## HIGH TONNAGE AIR/MANUAL BOTTLE JACKS

30 Ton Air/Manual Bottle Jack



Effortless Air Operation

50 Ton Air Bottle Jack



Internal By-Pass Mechanism  
Pat. 5,946,912

100 Ton Air Bottle Jack



Large Lifting Saddle

| Model  | Description                              | Height (Min / Max) |        | Hydraulic Lifting | Base Size (L x W) |       | Weight     |
|--------|--|--------------------|--------|-------------------|-------------------|-------|------------|
| 18302C | 30 Ton High Tonnage Air/Hyd Bottle Jack  | 11.00"             | 18.00" | 7.25"             | 10.25"            | 7.25" | 63.00 lbs  |
| 18502  | 50 Ton High Tonnage Air/Hyd Bottle Jack  | 12.13"             | 19.00" | 6.88"             | 10.50"            | 7.38" | 134.50 lbs |
| 18992  | 100 Ton High Tonnage Air/Hyd Bottle Jack | 11.88"             | 17.88" | 6.00"             | 12.75"            | 9.38" | 220.50 lbs |

## SERVICE JACKS

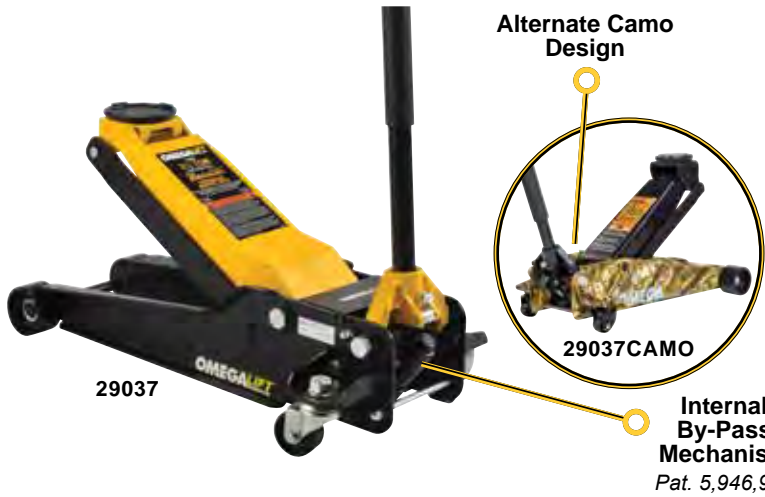
2.5 Ton Magic Lift™ Service Jack Combo



3.5 Ton Magic Lift™ Service Jack



3.5 Ton Magic Lift™ Service Jack



3.5 Ton Magic Lift™ Service Jack w/ One-Piece Handle



| Model     | Description  | Height (Min / Max)         | Handle Length | Saddle Dia            | Jack Size (L x W x H)     | Weight     |
|-----------|--|----------------------------|---------------|-----------------------|---------------------------|------------|
| 25055     | 2.5 Ton Service Jack Combo                           | 3.50"                      | 20.00"        | 45.50"                | 4.25" 26.50" 13.25" 6.13" | 70.00 lbs  |
| 27035     | 3.5 Ton Magic Lift™ Service Jack                     | 4.00"                      | 21.63"        | 49.88"                | 4.75" 30.88" 14.88" 7.25" | 106.50 lbs |
| 27036     | 3.5 Ton Magic Lift™ Service Jack w/ One-Piece Handle | 4.00"                      | 21.63"        | 49.88"                | 4.75" 30.88" 14.88" 7.25" | 106.50 lbs |
| 29037     | 3.5 Ton Magic Lift™ Service Jack                     | 5.13"                      | 22.13"        | 52.25"                | 4.38" 28.50" 13.50" 6.90" | 89.10 lbs  |
| 29037CAMO | 3.5 Ton Magic Lift™ Service Jack                     | 5.13"                      | 22.13"        | 52.25"                | 4.38" 28.50" 13.50" 6.90" | 89.10 lbs  |
| Model     | Description  | Height (Min / Max)         | Saddle Dia    | Jack Size (L x W x H) | Weight                    |            |
| 25055     | 2.5 Ton Service Jack Combo                           | Jack Stands: 11.75" 17.25" | 3.25"         | 1.38" 7.75" 6.63"     | 14.00 lbs                 |            |

## LOW-PROFILE SERVICE JACKS

2.5 Ton Low Profile Magic Lift™ Jack



3 Ton Low Profile Magic Lift™ Jack



3.5 Ton Low Profile Magic Lift™ Jack



| Model  | Description                          | Height (Min / Max) | Handle Length | Saddle Dia | Jack Size (L x W x H) | Weight     |
|--------|--------------------------------------|--------------------|---------------|------------|-----------------------|------------|
| 29023B | 2.5 Ton Low Profile Magic™ Lift Jack | 3.00" 20.75"       | 52.25"        | 5.00"      | 40.50" 13.50" 6.75"   | 123.20 lbs |
| 29033  | 3 Ton Low Profile Magic Lift™ Jack   | 3.88" 21.00"       | 50.00"        | 4.38"      | 27.50" 15.00" 5.00"   | 91.00 lbs  |
| 29038  | 3.5 Ton Low Profile Magic Lift™ Jack | 4.00" 21.00"       | 52.25"        | 4.38"      | 29.00" 13.38" 6.75"   | 85.80 lbs  |

\* Excluding: 29023B

## ALUMINUM/HYBRID SERVICE JACKS

1.5 Ton Aluminum/Hybrid Service Jack

Foam Protector

Low Pickup Height

3 Ton Aluminum Service Jack

Anti-Slip Release Handle  
Pat. 7,036,797

26030

Aluminum Structure

3 Ton Aluminum/Hybrid Service Jack

26033

26017

Side Frame Handles

## LONG CHASSIS SERVICE JACKS

5 Ton Air/Hyd Long Chassis Service Jack

Quick Lifting Foot Pedal\*

22051C

5 Ton Long Chassis Service Jack

22050C

5 Ton Long Chassis Magic Lift™ Service Jack

Internal By-Pass Mechanism  
Pat. 5,946,912

Innovative Magic Lift™ Design  
Pat. 5,755,099

Heavy Gauge Steel Frame

25057

| Model | Description                          | Height (Min / Max) |        | Handle Length | Saddle Dia | Jack Size (L x W x H) |        |       | Weight    |
|-------|--------------------------------------|--------------------|--------|---------------|------------|-----------------------|--------|-------|-----------|
| 26017 | 1.5 Ton Aluminum/Hybrid Service Jack | 3.50"              | 14.00" | 37.50"        | 3.88"      | 19.00"                | 9.75"  | 4.63" | 37.50 lbs |
| 26030 | 3 Ton Aluminum Service Jack          | 4.00"              | 18.13" | 47.75"        | 4.50"      | 26.00"                | 13.25" | 6.25" | 63.80 lbs |
| 26033 | 3 Ton Aluminum/Hybrid Service Jack   | 4.00"              | 19.00" | 47.75"        | 4.50"      | 19.00"                | 13.00" | 6.50" | 70.48 lbs |

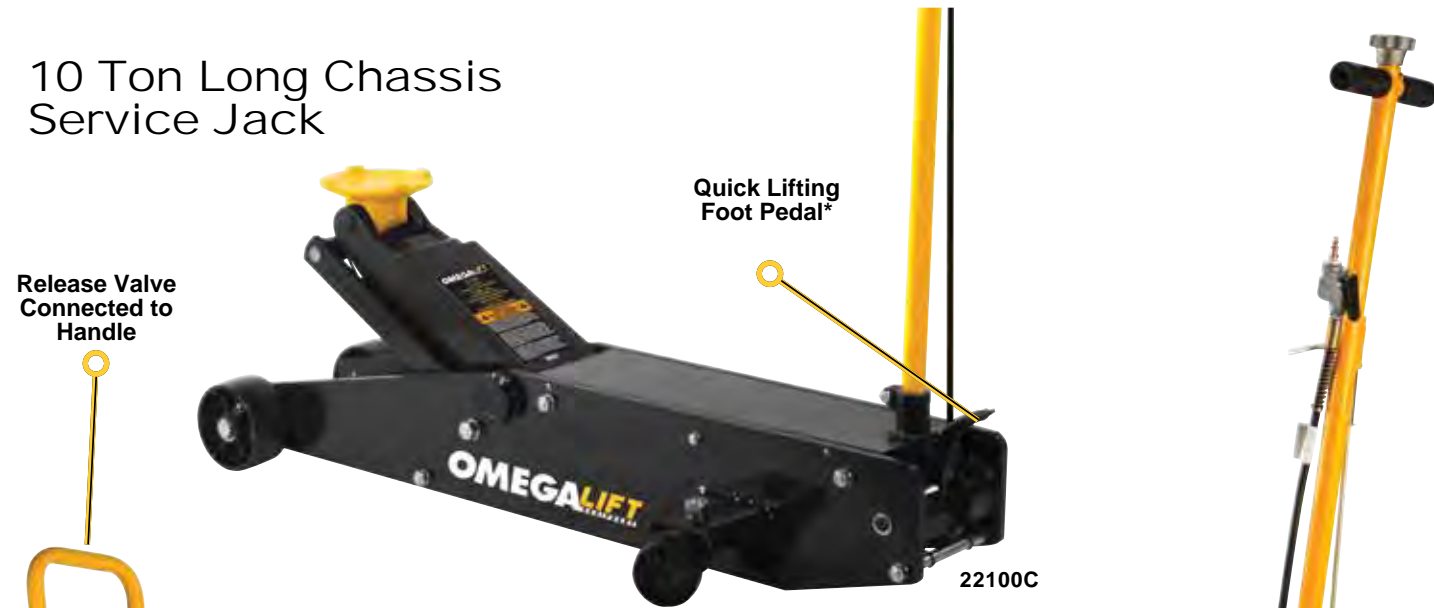
| Model  | Description                         | Height (Min / Max) |        | Handle Length | Saddle Dia | Jack Size (L x W x H) |        |       | Weight     |
|--------|-------------------------------------|--------------------|--------|---------------|------------|-----------------------|--------|-------|------------|
| 22050C | 5 Ton Long Chassis Jack             | 7.25"              | 27.25" | 46.00"        | 6.50"      | 55.50"                | 18.00" | 8.00" | 259.00 lbs |
| 22051C | 5 Ton Air/Hyd Long Chassis Jack     | 7.00"              | 27.00" | 47.25"        | 5.88"      | 56.50"                | 18.25" | 8.00" | 248.00 lbs |
| 25057  | 5 Ton Magic Lift™ Long Chassis Jack | 6.38"              | 21.50" | 47.25"        | 5.88"      | 52.25"                | 18.38" | 7.25" | 205.00 lbs |

\* Foot pedal is used to quickly get the saddle to lift point. The foot pedal is not designed to lift the load.



## LONG CHASSIS SERVICE JACKS

10 Ton Long Chassis Service Jack



10 Ton Long Chassis Air/Hyd Service Jack



10 Ton Long Chassis Magic Lift™ Service Jack



| Model  | Description                          | Height (Min / Max) | Handle Length | Saddle Dia | Jack Size (L x W x H) | Weight     |
|--------|--------------------------------------|--------------------|---------------|------------|-----------------------|------------|
| 22100C | 10 Ton Long Chassis Jack             | 6.88" 27.50"       | 43.00"        | 7.25"      | 57.75" 20.00" 10.00"  | 427.00 lbs |
| 22101C | 10 Ton Air/Hyd Long Chassis Jack     | 6.75" 27.25"       | 47.25"        | 7.25"      | 55.00" 19.00" 10.00"  | 431.64 lbs |
| 25107  | 10 Ton Magic Lift™ Long Chassis Jack | 7.13" 27.00"       | 45.25"        | 6.00"      | 51.50" 19.00" 9.50"   | 346.72 lbs |

## LONG CHASSIS SERVICE JACKS

20 Ton Air/Hyd Long Chassis Service Jack



20 Ton Air/Hyd Long Chassis Service Jack

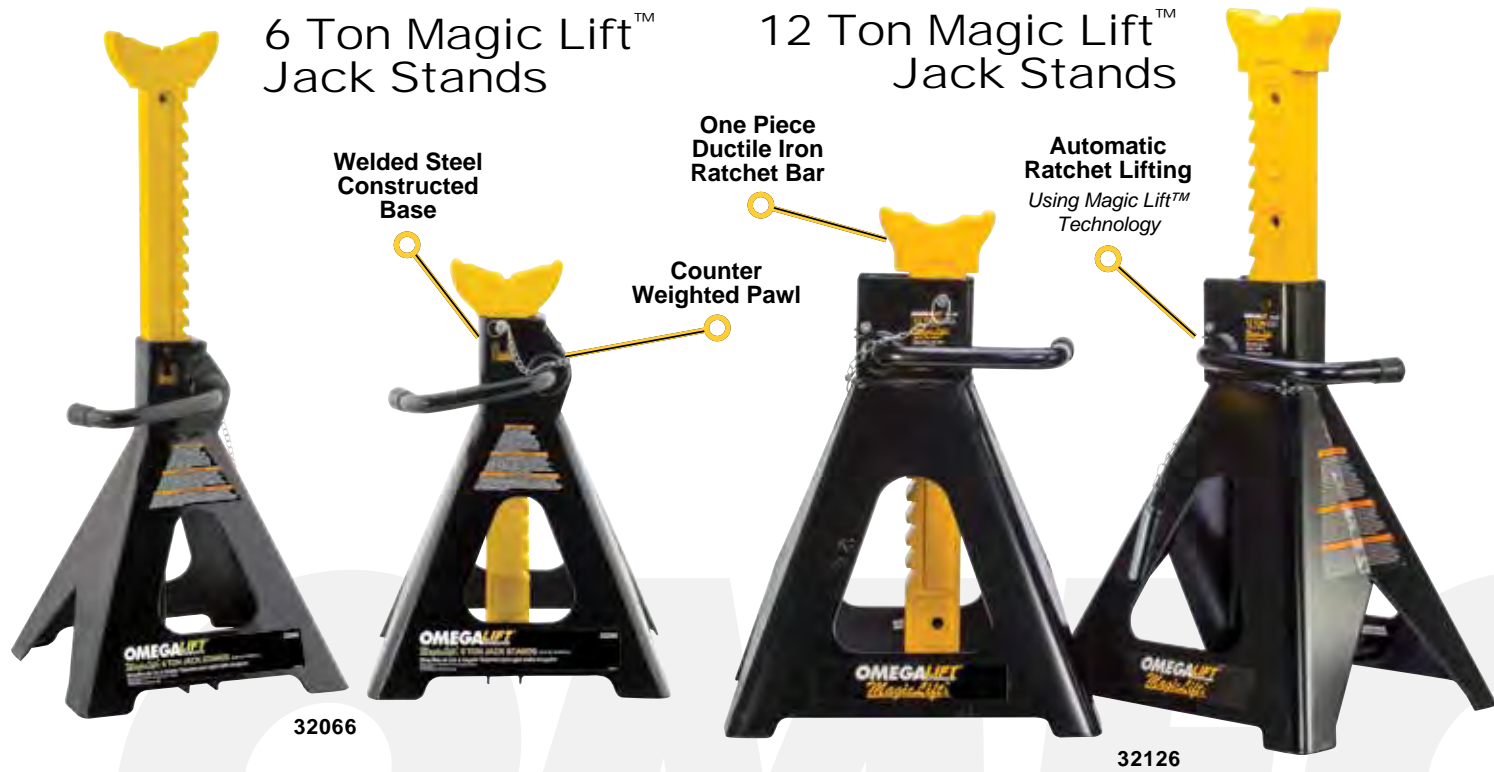
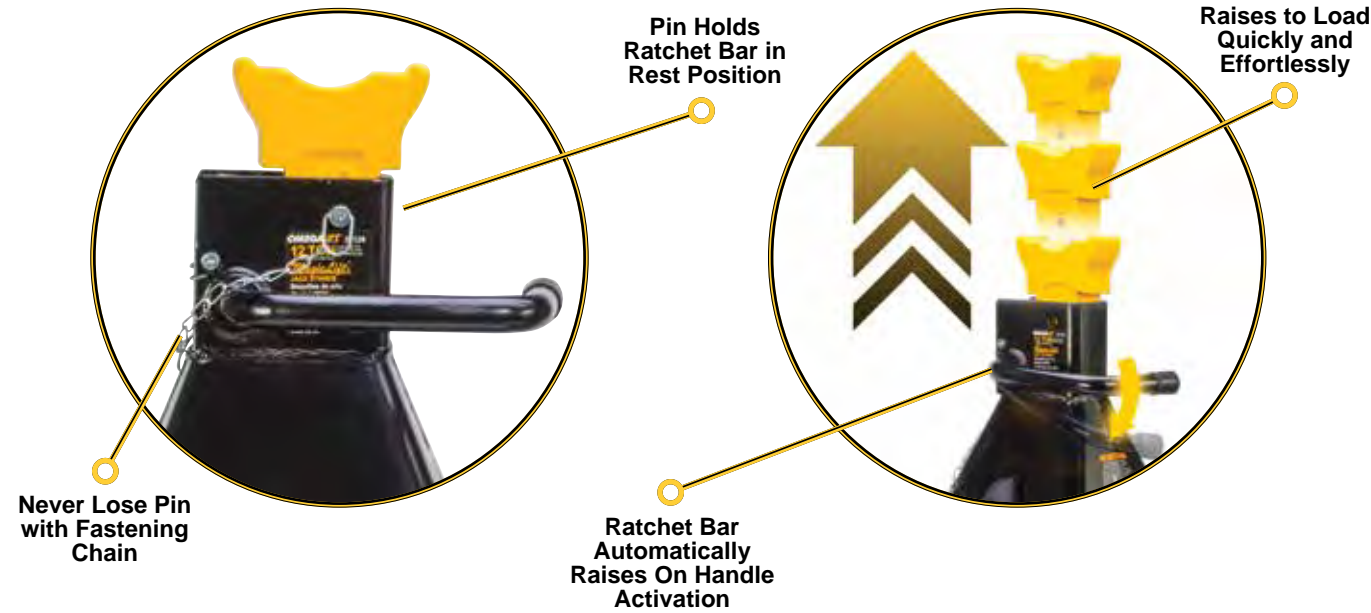


| Model | Description                      | Height (Min / Max) | Handle Length | Saddle Dia | Jack Size (L x W x H) | Weight     |
|-------|----------------------------------|--------------------|---------------|------------|-----------------------|------------|
| 22201 | 20 Ton Air/Hyd Long Chassis Jack | 7.50" 26.00"       | 48.50"        | 6.00"      | 58.50" 20.38" 12.00"  | 543.00 lbs |
| 22203 | 20 Ton Air/Hyd Long Chassis Jack | 13.25" 39.50"      | 50.00"        | 6.00"      | 70.75" 21.00" 14.50"  | 674.00 lbs |

\* Foot pedal is used to quickly get the saddle to lift point. The foot pedal is not designed to lift the load.

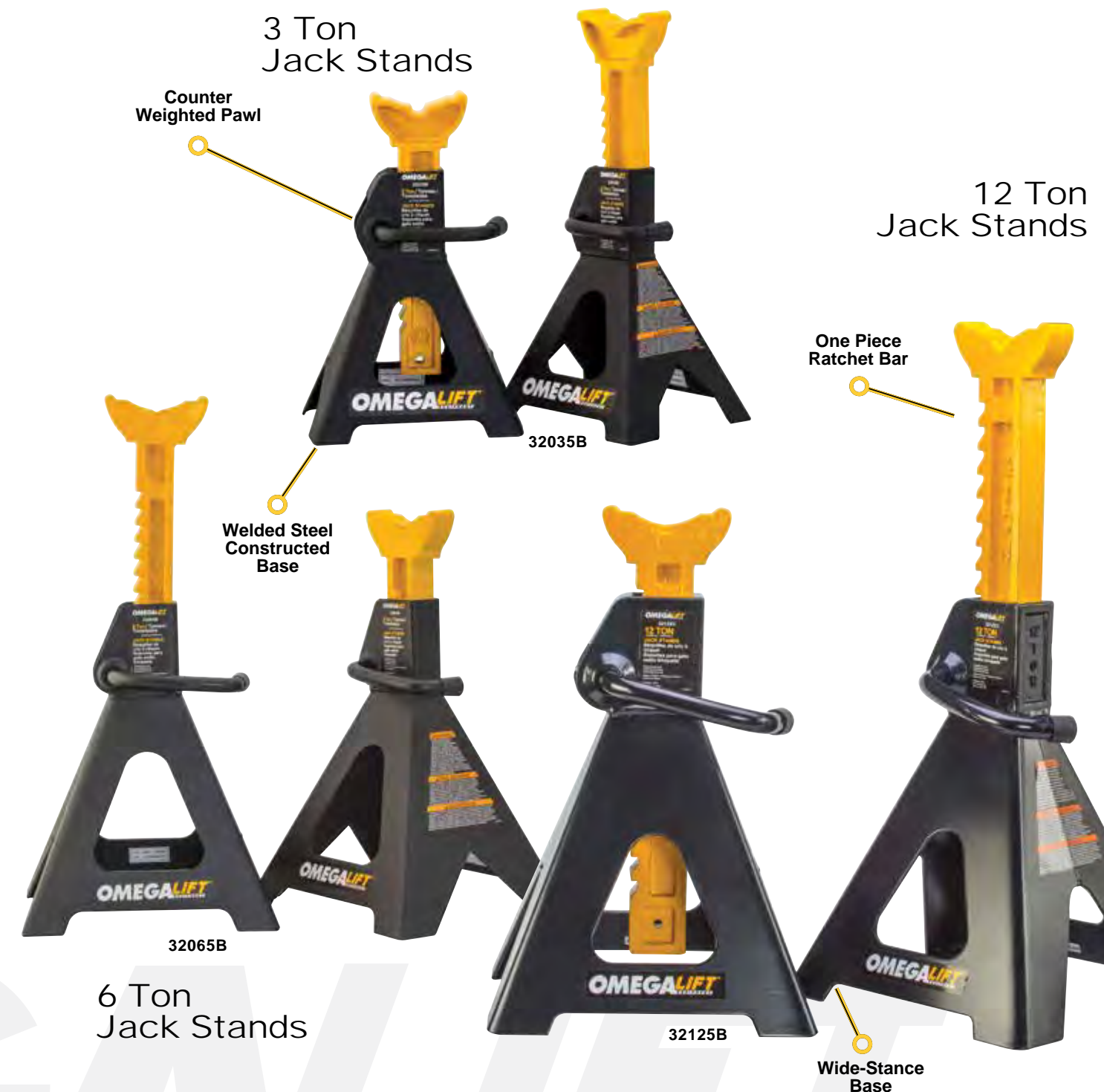
# MAGIC LIFT™ JACK STANDS

# STANDARD RATCHET STYLE JACK STANDS



| Model  | Description                    | Height (Min / Max) |        | Saddle Size (L x H) |       | Dimension (L x W) |        | Weight (Pair) |
|--------|--------------------------------|--------------------|--------|---------------------|-------|-------------------|--------|---------------|
| 32066* | 6 Ton Magic Lift™ Jack Stands  | 15.75"             | 25.00" | 4.25"               | 1.13" | 11.00"            | 10.00" | 33.51 lbs     |
| 32126* | 12 Ton Magic Lift™ Jack Stands | 19.75"             | 30.38" | 4.50"               | 1.75" | 14.75"            | 12.75" | 77.16 lbs     |

\* For 32066 and 32126, the pins are not to be used for supporting any loads. The pins are there to hold the ratchet bar down and prevent the bar from being in the raised position.

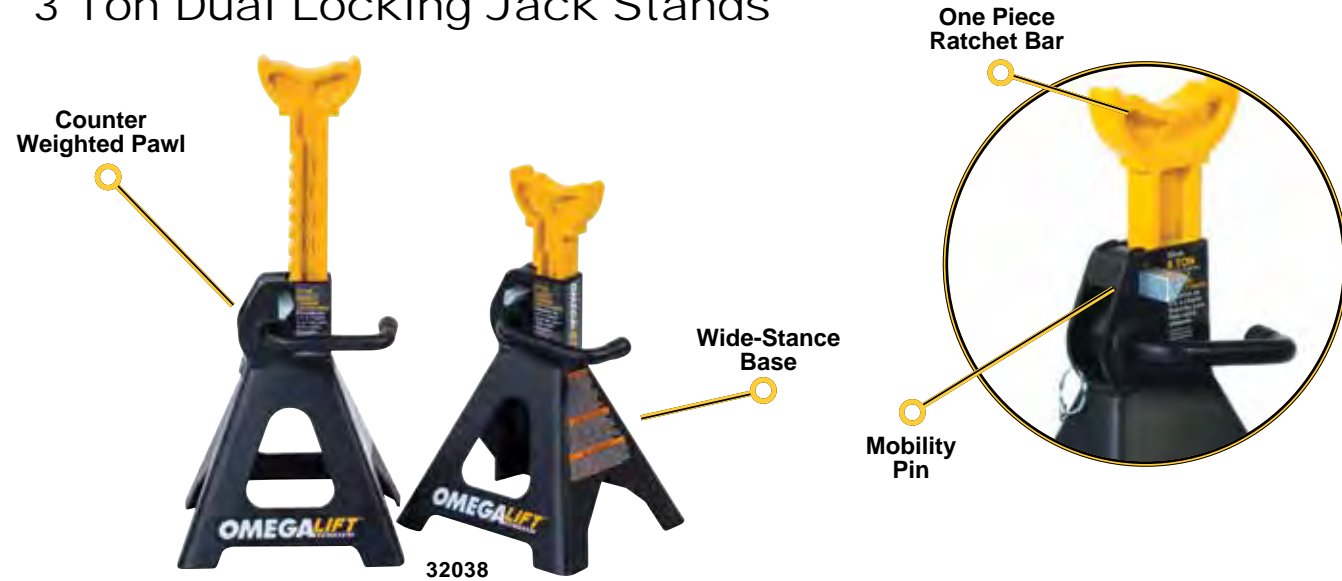


| Model  | Description        | Height (Min / Max) |        | Saddle Size (L x H) |       | Dimension (L x W) |        | Weight (Pair) |
|--------|--------------------|--------------------|--------|---------------------|-------|-------------------|--------|---------------|
| 32035B | 3 Ton Jack Stands  | 11.75"             | 17.25" | 3.25"               | 1.38" | 7.75"             | 6.75"  | 15.84 lbs     |
| 32065B | 6 Ton Jack Stands  | 15.50"             | 24.13" | 4.00"               | 1.25" | 10.13"            | 9.50"  | 33.44 lbs     |
| 32125B | 12 Ton Jack Stands | 17.75"             | 27.63" | 4.00"               | 1.50" | 10.75"            | 12.00" | 59.40 lbs     |

\* Rated capacity for all jack stands are rated to be used in matching pairs.  
\*\* Excluding: 32065B and 32125B

## DUAL LOCKING JACK STANDS

### 3 Ton Dual Locking Jack Stands



### 6 Ton Dual Locking Jack Stands



### 12 Ton Dual Locking Jack Stands



| Model | Description                     | Height (Min / Max) |        | Saddle Size (L x H) |       | Dimension (L x W) |        | Weight (Pair) |
|-------|---------------------------------|--------------------|--------|---------------------|-------|-------------------|--------|---------------|
| 32038 | 3 Ton Dual Locking Jack Stands  | 11.38"             | 16.75" | 3.00"               | 1.00" | 7.63"             | 6.88"  | 13.90 lbs     |
| 32068 | 6 Ton Dual Locking Jack Stands  | 16.00"             | 23.50" | 3.75"               | 1.00" | 10.50"            | 8.88"  | 27.50 lbs     |
| 32128 | 12 Ton Dual Locking Jack Stands | 19.63"             | 29.88" | 5.13"               | 1.75" | 12.38"            | 12.50" | 42.10 lbs     |

\* Rated capacity for all jack stands are rated to be used in matching pairs.

## HEAVY DUTY PIN STYLE JACK STANDS

### 10 Ton Pin Style Jack Stands



### 10 Ton High Lift Jack Stands



### 22 Ton Pin Style Jack Stands



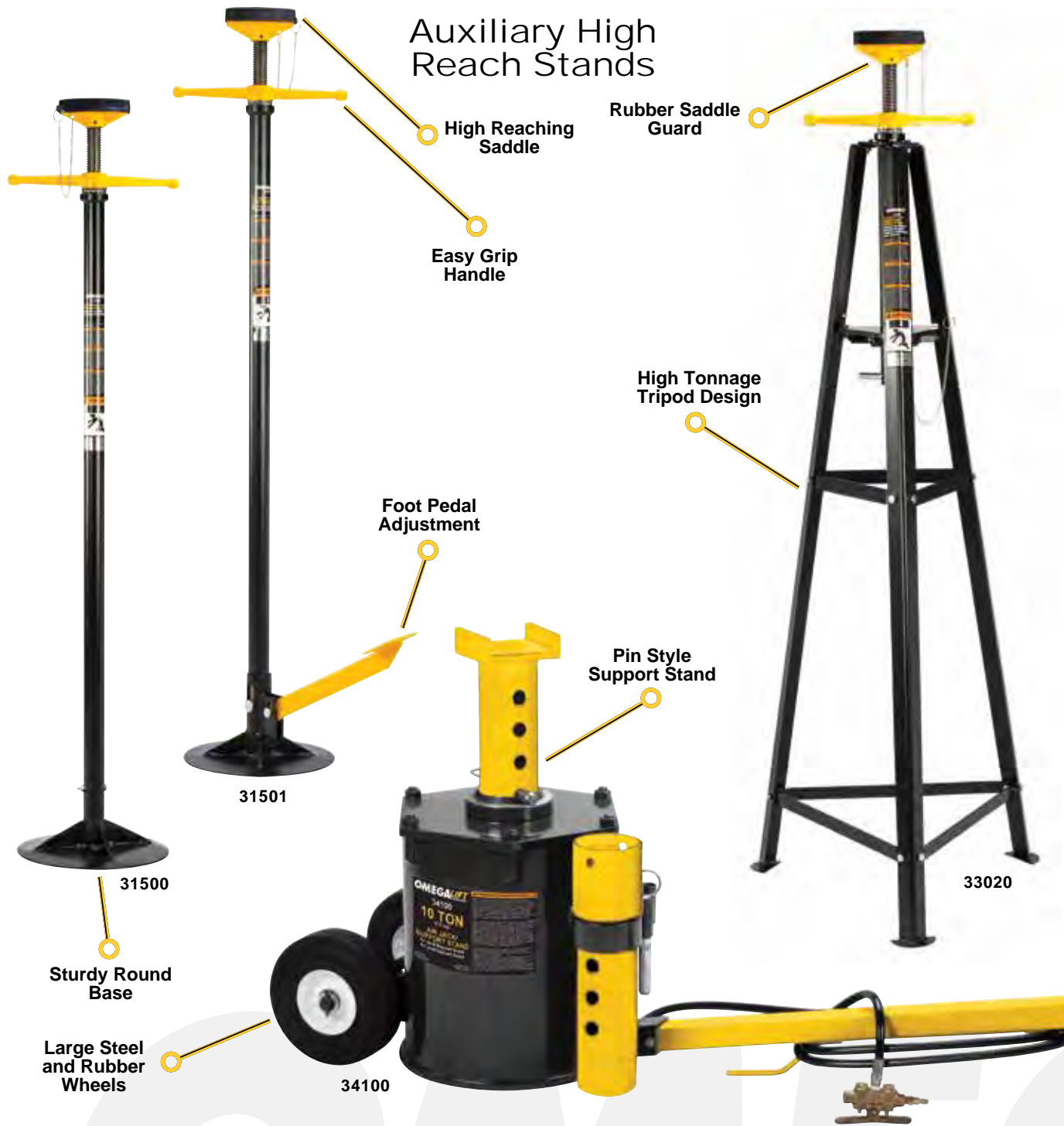
### 7 Ton Forklift Jack Stands



| Model  | Description                  | Height (Min / Max) |        | Saddle Size (L x H) |       | Dimension (L x W) |        | Weight (Pair) |
|--------|------------------------------|--------------------|--------|---------------------|-------|-------------------|--------|---------------|
| 32105B | 10 Ton Pin Style Jack Stands | 18.63"             | 31.13" | 3.38"               | 5.00" | 16.13"            | 15.63" | 83.80 lbs     |
| 32107B | 10 Ton High Lift Jack Stands | 28.00"             | 47.63" | 3.38"               | 5.00" | 16.25"            | 16.25" | 109.20 lbs    |
| 32225B | 22 Ton Pin Style Jack Stands | 12.00"             | 19.63" | 3.13"               | 2.75" | 9.88"             | 9.88"  | 65.56 lbs     |
| 32075B | 7 Ton Forklift Jack Stands   | 9.50"              | 14.25" | 3.50"               | 2.38" | 8.50"             | 8.50"  | 21.65 lbs     |

\* Rated capacity for all jack stands are rated to be used in matching pairs.

## UTILITY STANDS & AIR JACK



| Model | Description                               | Height (Min / Max) | Saddle Size (L x H) | Base Dimensions   | Weight     |
|-------|---|--------------------|---------------------|-------------------|------------|
| 31500 | 1,500 lbs Under Hoist Stand               | 55.00" 80.00"      | 5.25" 1.50"         | 12" Diameter Base | 33.00 lbs  |
| 31501 | 1,500 lbs Under Hoist Stand w/ Foot Pedal | 55.00" 80.00"      | 5.25" 1.50"         | 12" Diameter Base | 39.38 lbs  |
| 33020 | 2 Ton Under Hoist Tripod Stand            | 67.00" 76.75"      | 5.25" 1.50"         | 23.00" 18.00"     | 53.24 lbs  |
| 34100 | 10 Ton Air Jack w/ Support Stand          | 17.50" 51.13"      | 4.00" 4.00"         | 22.00" 12.00"     | 189.20 lbs |

## AXLE JACKS

22 Ton Axle Jack

22 Ton **Low Profile** Axle Jack

22 Ton Air Return Axle Jack



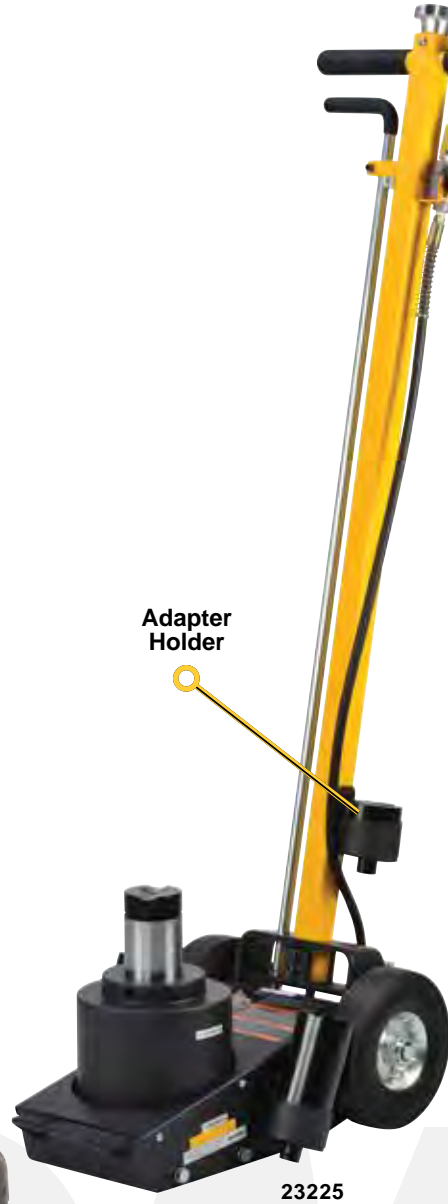
| Model  | Description                          | Height (Min / Max) | Extension Screw | Handle Length | Dimension (L x W) | Weight     |
|--------|--------------------------------------|--------------------|-----------------|---------------|-------------------|------------|
| 23221C | 22 Ton Air/Hyd Axle Jack             | 10.00" 18.50"      | 3.88"           | 47.38"        | 22.00" 13.00"     | 99.44 lbs  |
| 23222C | 22 Ton Low Profile Air/Hyd Axle Jack | 8.50" 17.00"       | 3.88"           | 47.38"        | 18.50" 12.50"     | 97.00 lbs  |
| 23226  | 22 Ton Air Return Axle Jack          | 9.88" 15.00"       | 4.00"           | 46.50"        | 20.00" 13.25"     | 111.00 lbs |

## AXLE JACKS

22 Ton Axle Jack & 1" Air Impact Combo



25 Ton Axle Jack



22/35 Ton Two Stage Axle Jack



| Model         | Description                          | Height (Min / Max) | Ext Screw | Handle Length | Dimension (L x W) | Weight     |
|---------------|--------------------------------------|--------------------|-----------|---------------|-------------------|------------|
| 23221CIMPACT* | 22 Ton Axle Jack/1" Air Impact Combo | 10.00" 18.50"      | 3.88"     | 47.38"        | 22.00" 13.00"     | 99.44 lbs  |
| 23225         | 25 Ton Air/Hyd Axle Jack             | 9.25" 17.13"       | -         | 47.38"        | 22.00" 15.00"     | 153.00 lbs |
| 23227         | 22/35 Ton 2-Stage Air/Hyd Axle Jack  | 9.75" 19.25"       | 3.75"     | 40.88"        | 21.63" 12.75"     | 114.84 lbs |

## AXLE JACKS

30 Ton Air/Hyd Axle Jack



50 Ton Air/Hyd Axle Jack



100 Ton Air/Hyd Axle Jack



| Model  | Description               | Height (Min / Max) | Handle Length | Dimension (L x W) | Weight     |
|--------|---------------------------|--------------------|---------------|-------------------|------------|
| 23301C | 30 Ton Air/Hyd Axle Jack  | 11.50" 18.25"      | 40.88"        | 21.75" 12.75"     | 104.50 lbs |
| 23501  | 50 Ton Air/Hyd Axle Jack  | 12.00" 19.00"      | 40.88"        | 22.88" 13.75"     | 174.24 lbs |
| 23991  | 100 Ton Air/Hyd Axle Jack | 12.00" 18.13"      | 40.88"        | 26.00" 15.75"     | 262.90 lbs |

## TRANSMISSION JACKS

## TRANSMISSION JACKS

1,000 lbs Manual Telescopic Transmission Jack

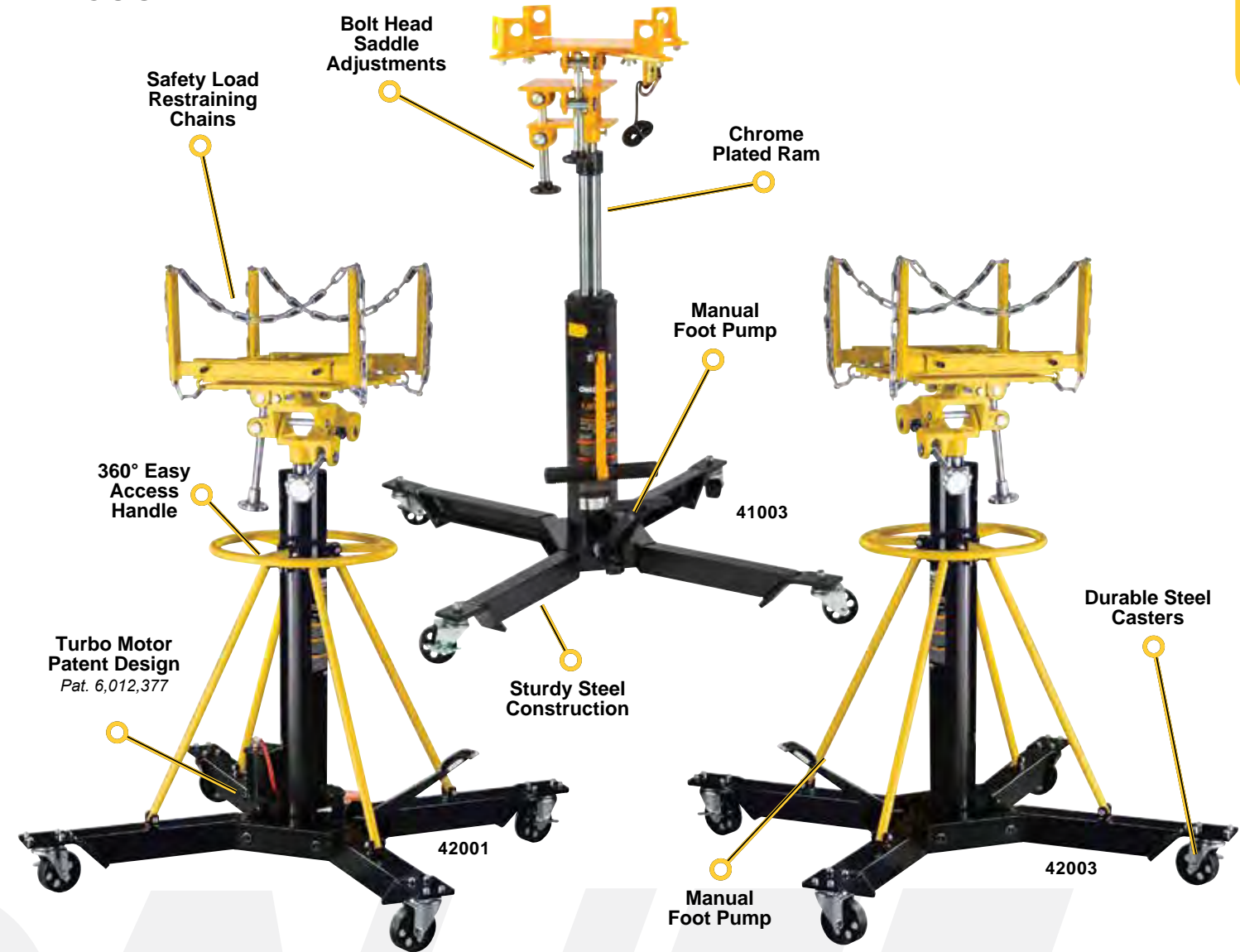
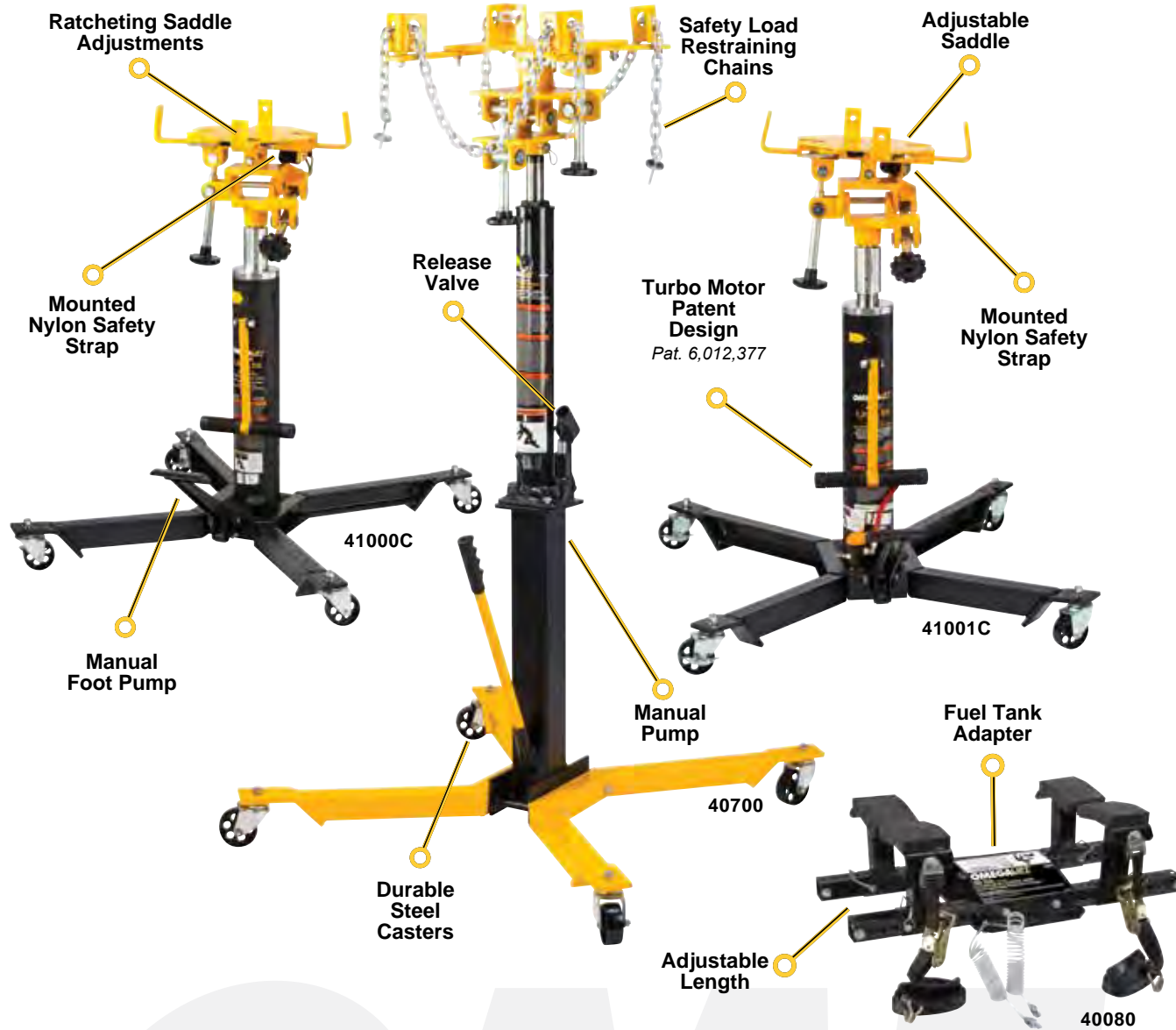
700 lbs Economy Transmission Jack

1,000 lbs Air/Manual Telescopic Transmission Jack

2,000 lbs Air/Manual Telescopic Transmission Jack

1,000 lbs Manual Telescopic Transmission Jack

2,000 lbs Manual Telescopic Transmission Jack



| Model  | Description                                       | Height (Min / Max)                                 |        | Saddle Base |        | Extended Saddle |        | Dimension (L x W) |        | Weight     |
|--------|---|--|--------|-------------|--------|-----------------|--------|-------------------|--------|------------|
| 40700  | 700 lbs Economy Transmission Jack                 | 57.25"   | 76.38" | 9.88"       | 9.88"  | 18.88"          | 18.88" | 36.13"            | 32.63" | 137.28 lbs |
| 41000C | 1,000 lbs Manual Telescopic Transmission Jack     | 39.88"   | 77.25" | 11.50"      | 11.50" | 21.00"          | 21.00" | 33.13"            | 35.50" | 161.00 lbs |
| 41001C | 1,000 lbs Air/Manual Telescopic Transmission Jack | 39.88"   | 77.25" | 11.50"      | 11.50" | 21.00"          | 21.00" | 33.13"            | 35.50" | 171.00 lbs |
| 40080  | Fuel Tank Adapter                                 | Designed to fit onto Telescopic Transmission Jacks |        |             |        |                 |        |                   |        | 55.00 lbs  |

| Model | Description                                       | Height (Min / Max) |        | Saddle Base |        | Extended Saddle |        | Dimension (L x W) |        | Weight     |
|-------|---|--------------------|--------|-------------|--------|-----------------|--------|-------------------|--------|------------|
| 41003 | 1,000 lbs Manual Telescopic Transmission Jack     | 36.25"             | 73.00" | 9.88"       | 9.88"  | 20.25"          | 20.25" | 36.50"            | 34.00" | 145.20 lbs |
| 42001 | 2,000 lbs Air/Manual Telescopic Transmission Jack | 46.00"             | 74.75" | 13.00"      | 13.00" | 24.50"          | 19.00" | 42.00"            | 39.75" | 316.36 lbs |
| 42003 | 2,000 lbs Manual Telescopic Transmission Jack     | 46.00"             | 74.75" | 13.00"      | 13.00" | 24.50"          | 19.00" | 42.00"            | 39.75" | 294.36 lbs |

\* Excluding: 40080

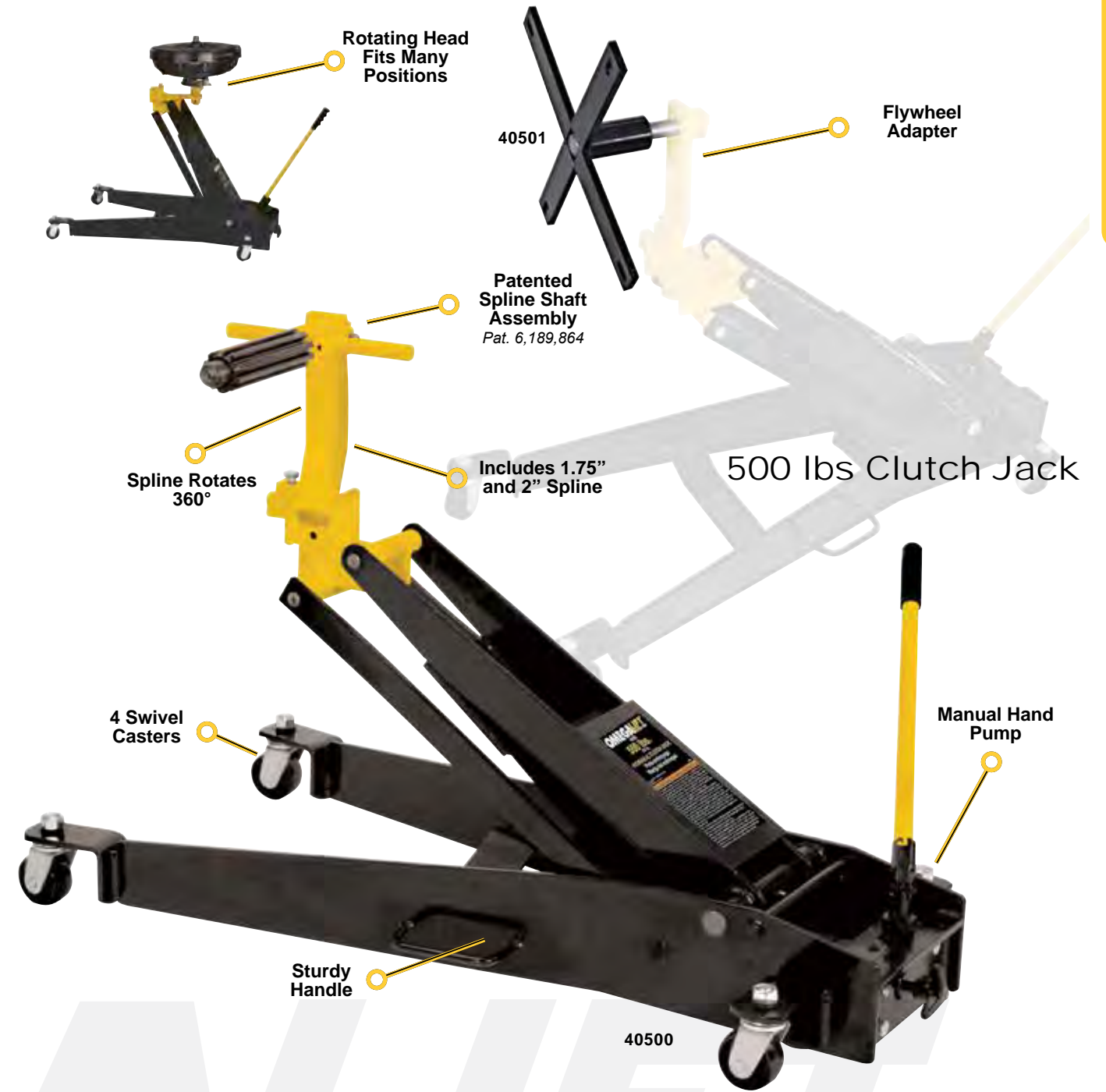


# TRANSMISSION JACKS

## Floor Style Transmission Jacks



# CLUTCH JACK/ ACCESSORIES



| Model  | Description                     | Height (Min / Max) | Handle Length | Saddle Base   | Extended Saddle | Dimension (L x W) | Weight     |
|--------|---------------------------------|--------------------|---------------|---------------|-----------------|-------------------|------------|
| 41100C | 1100 lbs Floor Style Trans Jack | 8.50" / 24.75"     | 22.50"        | 12.63" 7.88"  | 17.00" 9.38"    | 28.31" 15.00"     | 92.00 lbs  |
| 42000C | 2000 lbs Floor Style Trans Jack | 7.75" / 33.00"     | 22.50"        | 14.25" 7.88"  | 17.00" 15.50"   | 40.50" 18.50"     | 199.98 lbs |
| 43000  | 3000 lbs Floor Style Trans Jack | 7.83" / 37.25"     | 29.75"        | 16.13" 10.75" | 16.13" 26.88"   | 46.00" 26.00"     | 376.20 lbs |

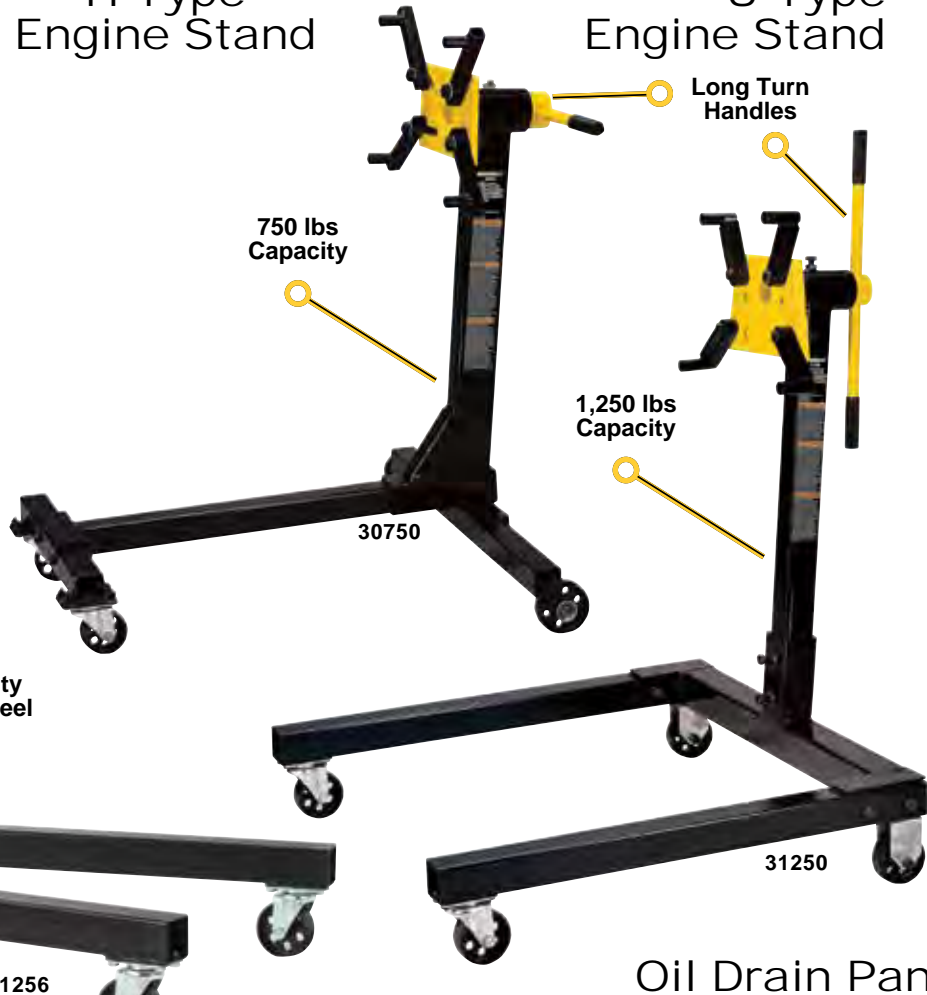
| Model | Description              | Height (Min / Max)                       | Shaft Diameter | Spline Diameter | Dimension (L x W) | Weight     |
|-------|--------------------------|--|----------------|-----------------|-------------------|------------|
| 40500 | 500 lbs Clutch Jack      | 16.50" / 42.00"                          | 1.00"          | 1.75" 2.00"     | 44.50" 22.50"     | 159.50 lbs |
| 40501 | 250 lbs Flywheel Adapter | Designed to Fit onto Clutch Jack (40500) |                |                 |                   | 12.10 lbs  |

## ENGINE STANDS

### Foldable Rotating Head Engine Stand



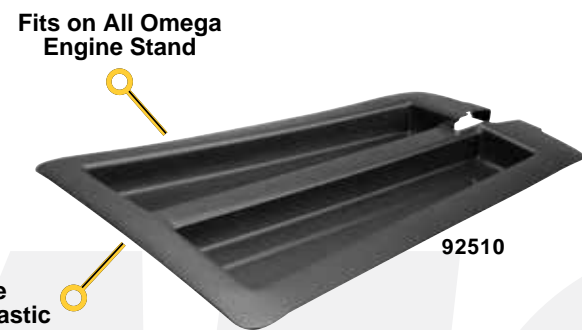
### H-Type Engine Stand



### U-Type Engine Stand



### Oil Drain Pan

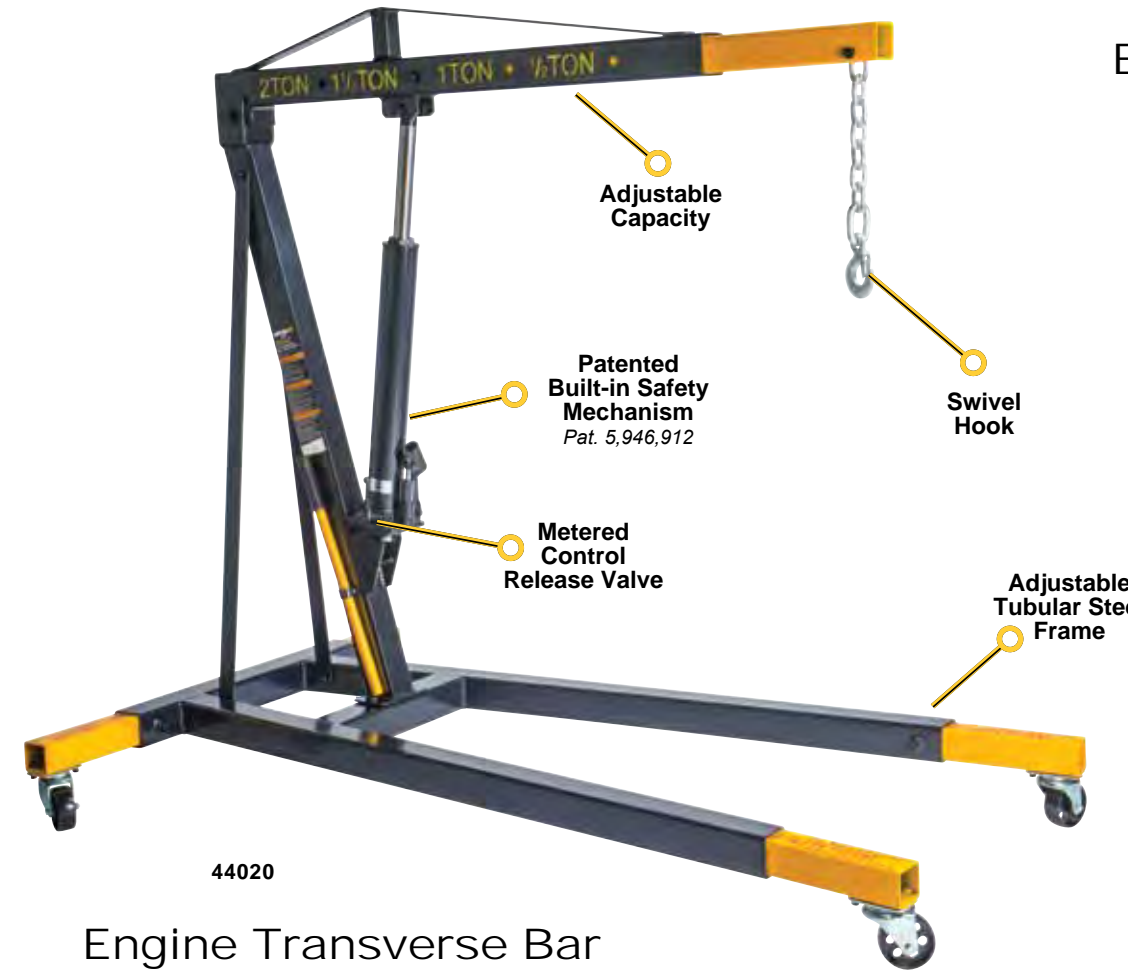


| Model  | Description                          | Base Size (L x W x H)  |        |        | Head Plate Dimensions (L x H x Thickness) |       |       | Wheel Dia | Weight     |
|--------|--------------------------------------|--|--------|--------|---|-------|-------|-----------|------------|
| 30750  | 750 lbs Engine Stand (H-Type)        | 31.50"   | 31.50" | 36.75" | 10.00"                                    | 6.00" | 0.38" | 3.00"     | 55.88 lbs  |
| 31250  | 1,250 lbs Engine Stand (U-Type)      | 33.38"   | 33.83" | 42.75" | 7.50" - 10.50"                            | 6.50" | 0.63" | 3.50"     | 86.46 lbs  |
| 31256* | 1,250 lbs Rotating Head Engine Stand | 41.75"   | 23.63" | 42.75" | 7.50" - 10.50"                            | 6.50" | 0.63" | 3.50"     | 114.40 lbs |
| 92510  | Oil Drain Pan w/ Strap Kit           | Can Attach to All Models of Engine Stands (30750, 31250, or 31256) |        |        |   |       |       |           |            |

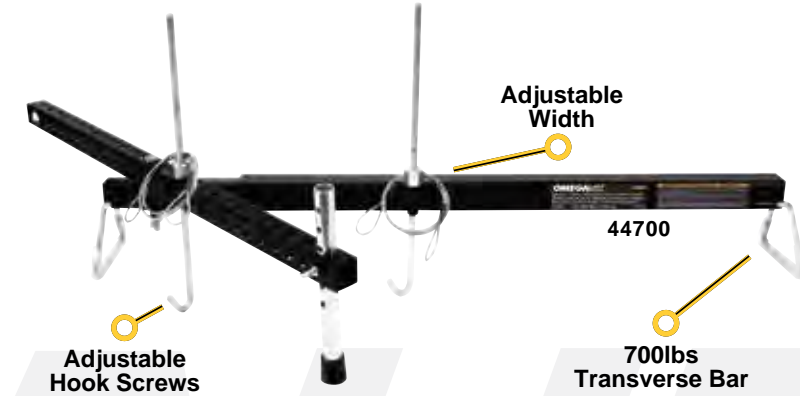
\* 31256 - 1250 lbs Rotating Head Engine Stand folds up to save on storage space

## ENGINE CRANE/ ACCESSORIES

### Engine Crane



### Engine Transverse Bar



### Load Leveler



| Model | Description           | Capacity  | Hook Height                |        | Base Length | Base Width |        | Height | Wheel Dia | Weight     |
|-------|-----------------------|-----------|----------------------------|--------|-------------|------------|--------|--------|-----------|------------|
|       |                       |           | Min                        | Max    |             | Front      | Rear   |        |           |            |
| 44020 | Engine Crane          | 2 Ton     | 18.13"                     | 69.13" | 61.75"      | 31.50"     | 27.38" | 54.00" | 3.50"     | 266.00 lbs |
|       |                       | 1.5 Ton   | 13.38"                     | 75.00" | -           | -          |        |        |           |            |
|       |                       | 1 Ton     | 9.25"                      | 80.50" | 94.50"      | 39.00"     | 47.38" |        |           |            |
| 44700 | Engine Transverse Bar | 700 lbs   | Hook Thread Length: 12.50" |        | 38.00"      | 61.00"     | -      | -      | 26.40 lbs |            |
| 90153 | Load Leveler          | 1,500 lbs | 10.00"                     | 12.50" | 18.00"      | 7.63"      |        | -      | -         | 13.42 lbs  |

\* Excluding: 44700 and 90153



## LONG JACKS

### 1.5 - 8 Ton Long Jacks



| Model  | Description                   | Height (Min / Max) | Base Size (L x W) | Weight    |
|--------|-------------------------------|--------------------|-------------------|-----------|
| 44915  | 1.5 Ton Manual Long Jack      | 19.88" 35.25"      | 5.13" 4.50"       | 18.04 lbs |
| 44930  | 3 Ton Manual Long Jack        | 19.88" 35.25"      | 5.13" 4.50"       | 18.04 lbs |
| 44940  | 4 Ton Manual Long Jack        | 19.88" 35.25"      | 5.13" 4.50"       | 18.04 lbs |
| 44980  | 8 Ton Manual Long Jack        | 24.13" 43.25"      | 5.00" 4.75"       | 31.46 lbs |
| 44981C | 8 Ton Air/Hydraulic Long Jack | 24.13" 43.25"      | 7.13" 5.00"       | 38.72 lbs |

## DOLLIES & BRAKE DRUM HANDLERS

### Wheel Dollies



| Model  | Description                  | Lift Height (Min / Max) | Tilt Range | Base Size (L x W x H) | Weight     |
|--------|------------------------------|-------------------------|------------|-----------------------|------------|
| 46000  | 1,500 lbs Break Drum Handler | 10.38" 15.00"           | -          | 61.38" 19.63" 17.63"  | 59.40 lbs  |
| 47020* | 3-In-1 1 Ton Car Dolly Set   | 7.00" 13.88"            | -          | 20.00" 13.88" 13.88"  | 79.20 lbs  |
| 47050C | 1,500 lbs Wheel Dolly        | 2.50" 8.38"             | -2° - 5°   | 45.13" 39.50" 34.88"  | 222.00 lbs |
| 47053  | 1,500 lbs Wheel Dolly        | 2.25" 11.00"            | -2° - 5°   | 43.50" 43.00" 34.88"  | 159.00 lbs |
| 92030  | 300 lbs Wheel Dolly          | -                       | -          | 48.00" 27.50" 17.50"  | 19.15 lbs  |

\*The 47020 is sold in pairs of two. Each dolly has a rated capacity of 2,000 Lbs per unit in all three of the dolly configurations.

## BODY REPAIR KITS

10 Ton Body Repair Kit



4", 10", 18", 27" Extension Tubes

**Body Repair Kits Include:**

- Manual Hand Pumps
- Hydraulic Cylinders (Rams)
- Extension Tubes
- Hydraulic Spreaders
- Rubber Heads
- Ram Toe (offset)
- Plunger Toe (offset)
- Variety of Different Saddles
- Customized Blow Mold Case

4 Ton Body Repair Kit

3", 6", 8", 16", 19" Extension Tubes

| Model | Description            | Pump Capacity | Ram Height |          | Effective Ram Area   | Weight    |
|-------|------------------------|---------------|------------|----------|----------------------|-----------|
|       |                        |               | Closed     | Extended |                      |           |
| 50040 | 4 Ton Body Repair Kit  | 8,000 PSI     | 10.75"     | 15.63"   | 1.00 in <sup>2</sup> | 47.08 lbs |
| 50100 | 10 Ton Body Repair Kit | 10,000 PSI    | 13.75"     | 19.75"   | 2.40 in <sup>2</sup> | 83.60 lbs |

## TREADLE PUMPS & CYLINDER KIT

122 in<sup>3</sup> Treadle Pump



91 in<sup>3</sup> Treadle Pump



10 Ton Low Profile Cylinder Kit



231 in<sup>3</sup> Treadle Pump



| Model | Description  | Reservoir Size         | Capacity   | Base Size (L x W x H) |       |       | Weight    |
|-------|--------------|------------------------|------------|-----------------------|-------|-------|-----------|
| 22903 | Treadle Pump | 91.50 in <sup>3</sup>  | 10,000 PSI | 9.75"                 | 4.63" | 7.50" | 18.92 lbs |
| 22905 | Treadle Pump | 122.00 in <sup>3</sup> | 10,000 PSI | 11.50"                | 6.00" | 8.00" | 22.00 lbs |
| 22907 | Treadle Pump | 231.00 in <sup>3</sup> | 10,000 PSI | 13.50"                | 8.00" | 7.25" | 28.16 lbs |

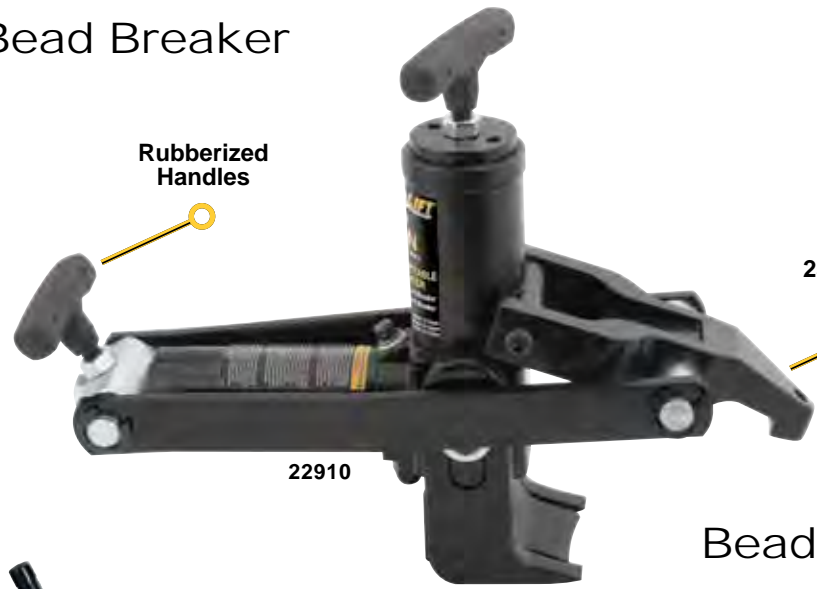
| Model | Description                     | Stroke | Effective Area | Oil Capacity         | Height (Co/Ext) | Internal PSI* | Cylinder Housing Dia | Ram Plunger Dia | Weight   |
|-------|---------------------------------|--------|----------------|----------------------|-----------------|---------------|----------------------|-----------------|----------|
| 72101 | 10 Ton Low Profile Cylinder Kit | 1.50"  | 2.35"          | 3.53 in <sup>3</sup> | 3.88" 5.25"     | 8,511 PSI     | 2.75"                | 1.50"           | 9.10 lbs |

\*Rated Internal Pressure is measured at maximum capacity.

## SHOP EQUIPMENT

## TRUCK RAMPS & SERVICE TRAY

Bead Breaker



Rubberized Handles

22910

16.5" Funnel Diameter

Oil Drain



25" Max Rim Size

Adjustable Height

89001

Bead Breaker Combo



22953

Forklift Jack

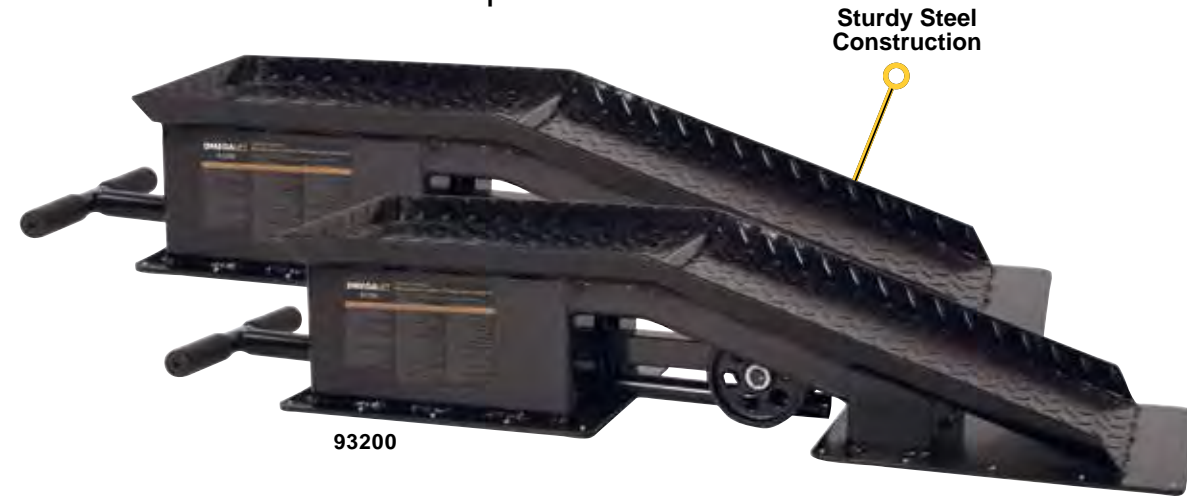


Multiple Convenient Lifting Points

28045

Large Capacity Reservoir

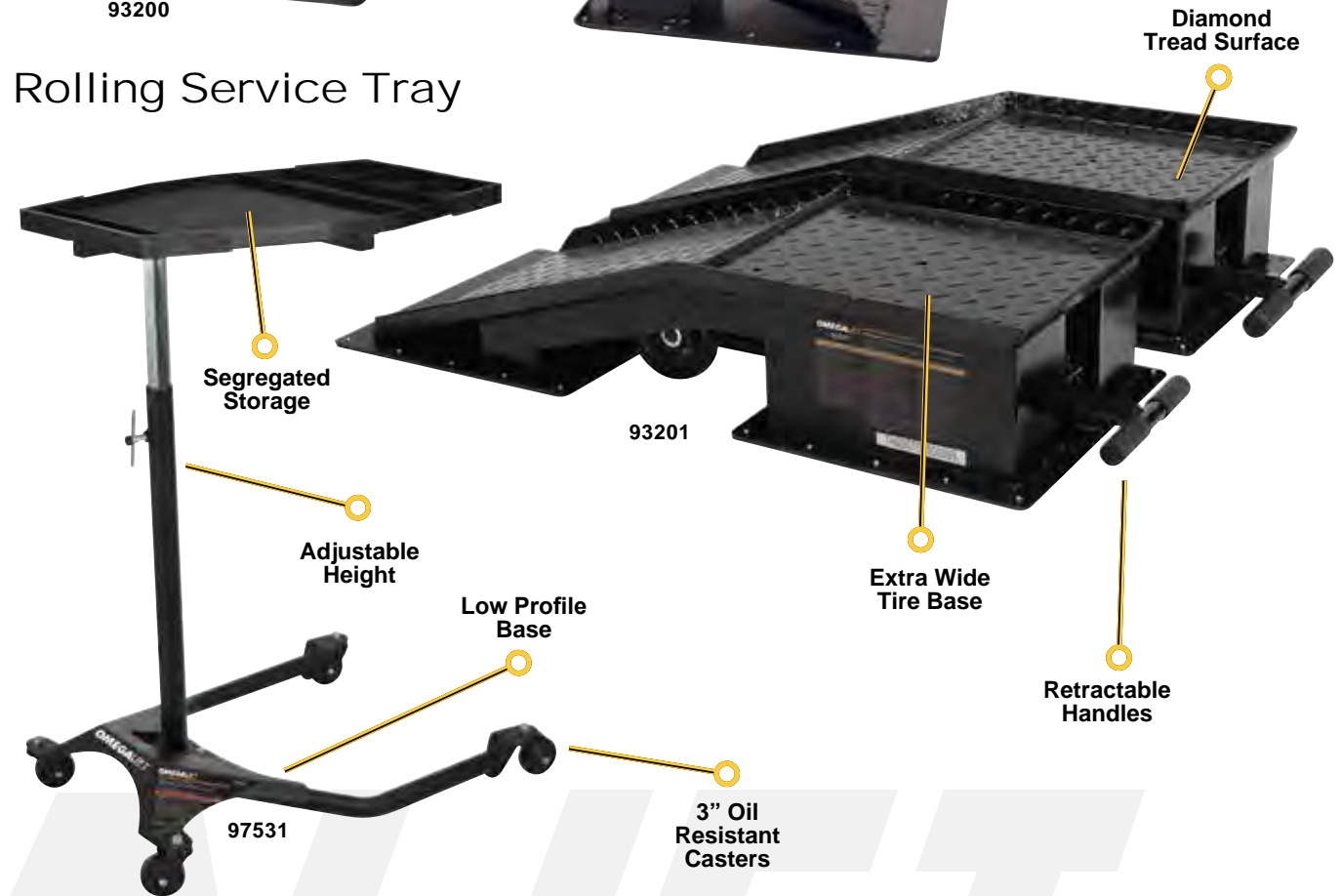
Truck Ramps



Sturdy Steel Construction

93200

Rolling Service Tray



Diamond Tread Surface

Segregated Storage

Adjustable Height

Low Profile Base

97531

3" Oil Resistant Casters

Extra Wide Tire Base

Retractable Handles

| Model | Description                  | Lift Height (Min / Max) |        | Base Size (L x W x H) |        |                 | Weight    |
|-------|------------------------------|-------------------------|--------|-----------------------|--------|-----------------|-----------|
| 22910 | 5 Ton Portable Bead Breaker  | -                       | -      | 18.00"                | 5.50"  | 13.00"          | 33.00 lbs |
| 22953 | 5 Ton Bead Breaker Combo Kit | -                       | -      | 18.00"                | 5.50"  | 13.00"          | 63.00 lbs |
| 28045 | 4 Ton Forklift Jack          | 3.00"                   | 17.50" | 32.00"                | 10.25" | 17.00"          | 90.86 lbs |
| 89001 | 8 Gallon Oil Drain           | -                       | -      | 17.00"                | 17.00" | 48.25" - 62.00" | 10.00 lbs |

| Model | Description             | Max Tire Width | Handle Length | Base Size (L x W x H) |        |       | Weight     |
|-------|-------------------------|----------------|---------------|-----------------------|--------|-------|------------|
| 93200 | 20 Ton Truck Ramps      | 11.25"         | 33.75"        | 45.00"                | 13.50" | 9.38" | 267.00 lbs |
| 93201 | 20 Ton Wide Truck Ramps | 16.00"         | 33.75"        | 45.00"                | 18.00" | 9.38" | 334.00 lbs |

| Model | Description                       | Height (Min/Max) |        | Tray Size (L x W x H) |        | Base Size (L x W x H) |        | Weight |        |           |
|-------|-----------------------------------|------------------|--------|-----------------------|--------|-----------------------|--------|--------|--------|-----------|
| 97531 | 100 lbs Rolling Auto Service Tray | 34.50"           | 47.64" | 20.00"                | 29.25" | 2.75"                 | 29.00" | 20.00" | 34.45" | 41.80 lbs |

\* Excluding: 97531

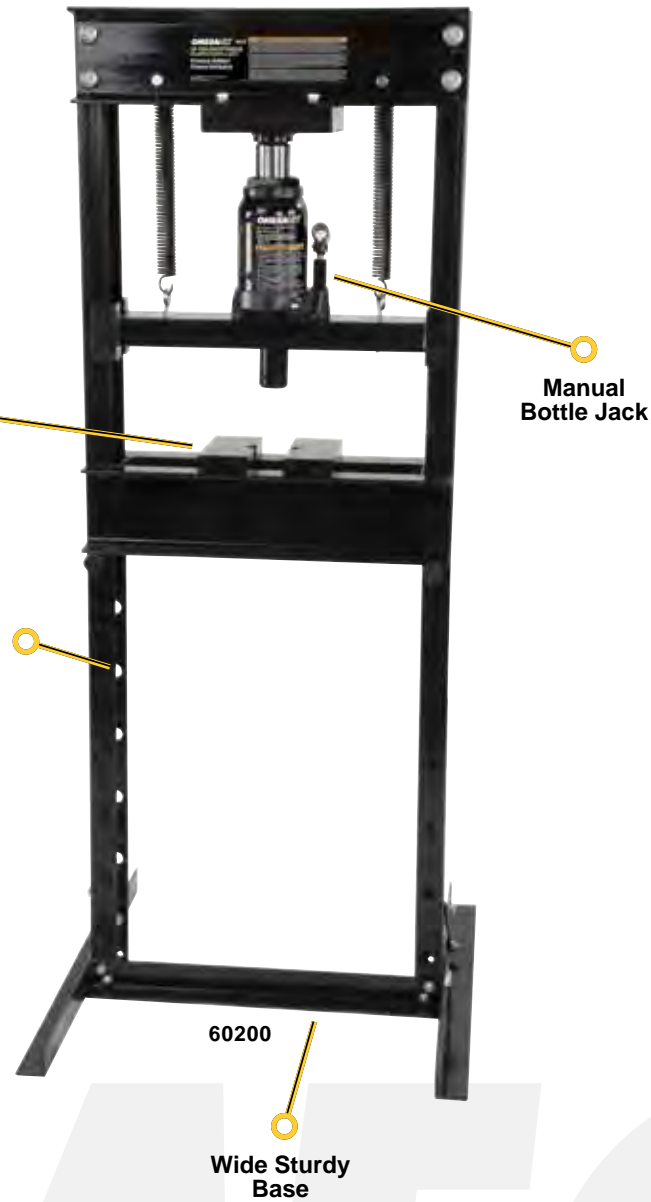


## SHOP PRESSES/ ACCESSORIES

### 12 Ton Shop Press



### 20 Ton Shop Press



| Model | Description               | Working Space (Min / Max)                       |        | Hydraulic Stroke | Bed Position | Base Size (L x W x H) |        |        | Weight     |
|-------|---------------------------|---|--------|------------------|--------------|-----------------------|--------|--------|------------|
| 60120 | 12 Ton Shop Press         | 2.63"   | 34.38" | 6.00"            | 8            | 22.75"                | 18.50" | 59.00" | 127.60 lbs |
| 60127 | 12 Ton Shop Press Acc Kit | Designed for use with 12 Ton Shop Press (60127) |        |                  |              |                       |        |        | 24.66 lbs  |
| 60200 | 20 Ton Shop Press         | 2.50"   | 34.13" | 6.00"            | 8            | 28.00"                | 28.00" | 64.50" | 277.20 lbs |
| 60207 | 20 Ton Shop Press Acc Kit | Designed for use with 20 Ton Shop Press (60207) |        |                  |              |                       |        |        | 24.90 lbs  |

\* Excluding: Shop Press Accessories

## SHOP PRESSES/ ACCESSORIES

### 25 Ton Shop Press



| Model          | Description         | Working Space (Min / Max)                                   |        | Hydraulic Stroke | Bed Position | Base Size (L x W x H) |        |        | Weight     |
|----------------|---------------------|---|--------|------------------|--------------|-----------------------|--------|--------|------------|
| 60253          | 25 Ton Shop Press   | 4.63"   | 36.38" | 6.00"            | 8            | 28.00"                | 28.00" | 59.00" | 293.70 lbs |
| 60257          | Shop Press Acc Kit  | Accessories Designed for use with 25 Ton Shop Press (60253) |        |                  |              |                       |        |        | 25.63 lbs  |
| T125-90009-K01 | 25 Ton Arbor Plates | Accessory Designed for use with 25 Ton Shop Press (60253)   |        |                  |              |                       |        |        | 16.34 lbs  |

\* Excluding: Shop Press Accessories

## Z-CREEPERS

### 2-in-1 Z Creeper



Folds Into Flat Creeper



91000

### 3-in-1 Low Profile Z-Creeper



Pin-Release Transition



Low-Profile Seat

Design Patent  
Pat. 6,969,077  
D639,638S

91452

Sturdy Steel Frame

5" Low Profile Height

| Model | Description                  | Capacity   | Seat Height | Dimensions (Flat) (L x W x H) |        |       | Weight    |
|-------|------------------------------|------------|-------------|-------------------------------|--------|-------|-----------|
| 91000 | 2-in-1 Z Creeper             | 450.00 lbs | 19.75"      | 40.00"                        | 18.00" | 7.50" | 25.74 lbs |
| 91452 | 3-in-1 Low Profile Z-Creeper | 450.00 lbs | 18.00"      | 41.50"                        | 27.00" | 5.00" | 27.06 lbs |

## BLOW-MOLDED CREEPERS



36" Creeper

3" Polymer Casters

91900

Padded Headrest

Carrying Handle

40" Creeper

91901

Padded Headrest

Side Storage Trays

3" Polymer Casters

Ventilated Back Rest

48" Creeper

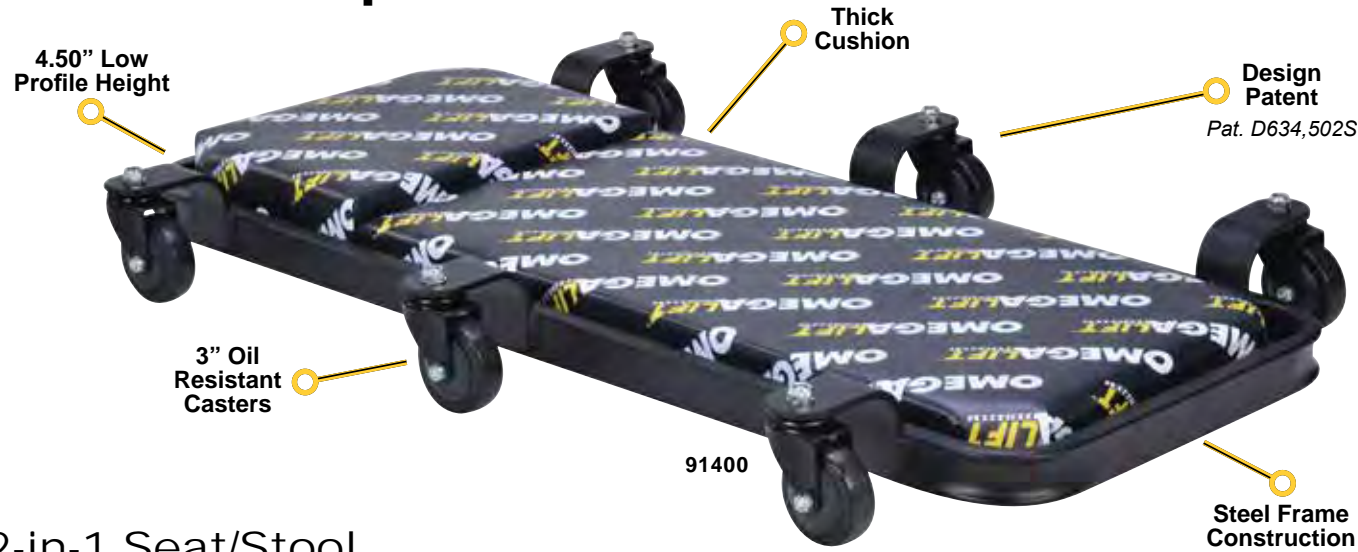
91902

Carrying Handle

| Model | Description                      | Capacity   | Dimensions (Flat) (L x W) |        | Weight    |
|-------|----------------------------------|------------|---------------------------|--------|-----------|
| 91900 | 36" Plastic Creeper              | 300.00 lbs | 36.25"                    | 16.25" | 9.70 lbs  |
| 91901 | 40" Plastic Creeper w/ Tool Tray | 350.00 lbs | 40.00"                    | 19.00" | 13.40 lbs |
| 91902 | 48" Plastic Creeper w/ Tool Tray | 440.00 lbs | 47.00"                    | 23.75" | 17.20 lbs |

# CREEPERS & SHOP STOOLS

## Low-Profile Creeper



## 2-in-1 Seat/Stool



## Toolbox Shop Seat



| Model | Description                  | Capacity                                | Dimensions (L x W x H) |        |        | Weight    |
|-------|------------------------------|---|------------------------|--------|--------|-----------|
| 91305 | 2-in1 Shop Stool             | 350.00 lbs - Seat<br>400.00 lbs - Stool | 14.00"                 | 9.50"  | -      | 21.20 lbs |
| 91400 | 40" Low Profile Creeper      | 400.00 lbs                              | 40.00"                 | 26.00" | 4.50"  | 25.30 lbs |
| 92450 | Mechanic's Toolbox Shop Seat | 450.00 lbs                              | 18.25"                 | 14.13" | 18.88" | 29.70 lbs |

# WHEEL ARM

## Wheel Arm™



Design Patent  
Pat. 9,174,829

92100

Magnetic Tool Tray Included



Edged Lip to Hold Tires in Place

Wheel Arm™  
Product Video

| Model | Description | Capacity   | Dimensions (L x W x H) |       |        | Weight    |
|-------|-------------|------------|------------------------|-------|--------|-----------|
| 92100 | Wheel Arm™  | 100.00 lbs | 8.00"                  | 6.80" | 17.00" | 17.80 lbs |



# OMEGA *Pro*

## Chapter Table of Contents

- 46 Torque Wrenches
- 46 Preset Torque Wrench Set
- 47 Compact Air Impact Wrench
- 47 Heavy Duty Air Impact Wrench with Case
- 48 Omega Pro Tool Cart
- 48 95 Piece Drive Metric Socket Set
- 49 3-Fold EVA Pad with LED Light Strip
- 49 EVA Knee Pad
- 49 Mini Digital Tire Inflator
- 49 Digital Tire Inflator

Omega Pro feature unique tools and equipment to help fulfill your shops needs. Air Tools, Tool Carts, etc available to help meet all product needs within a shop. All Omega Pro Equipment offers a one year manufacturer warranty, please see warranty section for added information.

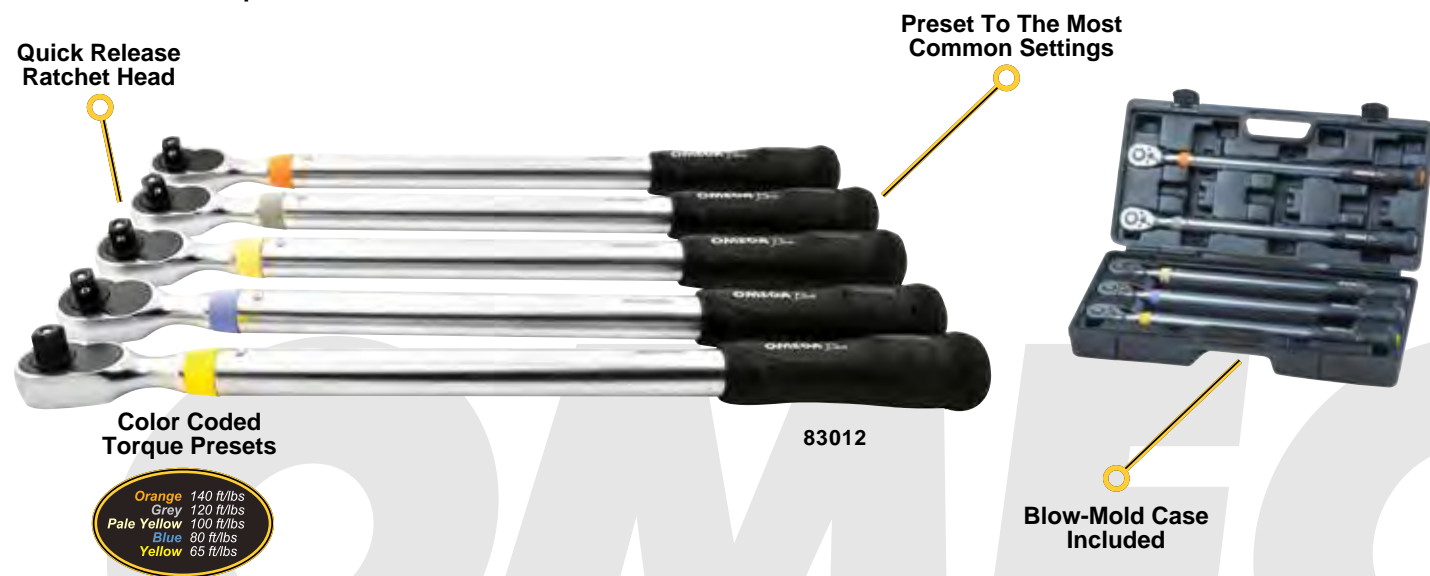


## TORQUE WRENCHES

### Torque Wrenches



### Preset Torque Wrench Set



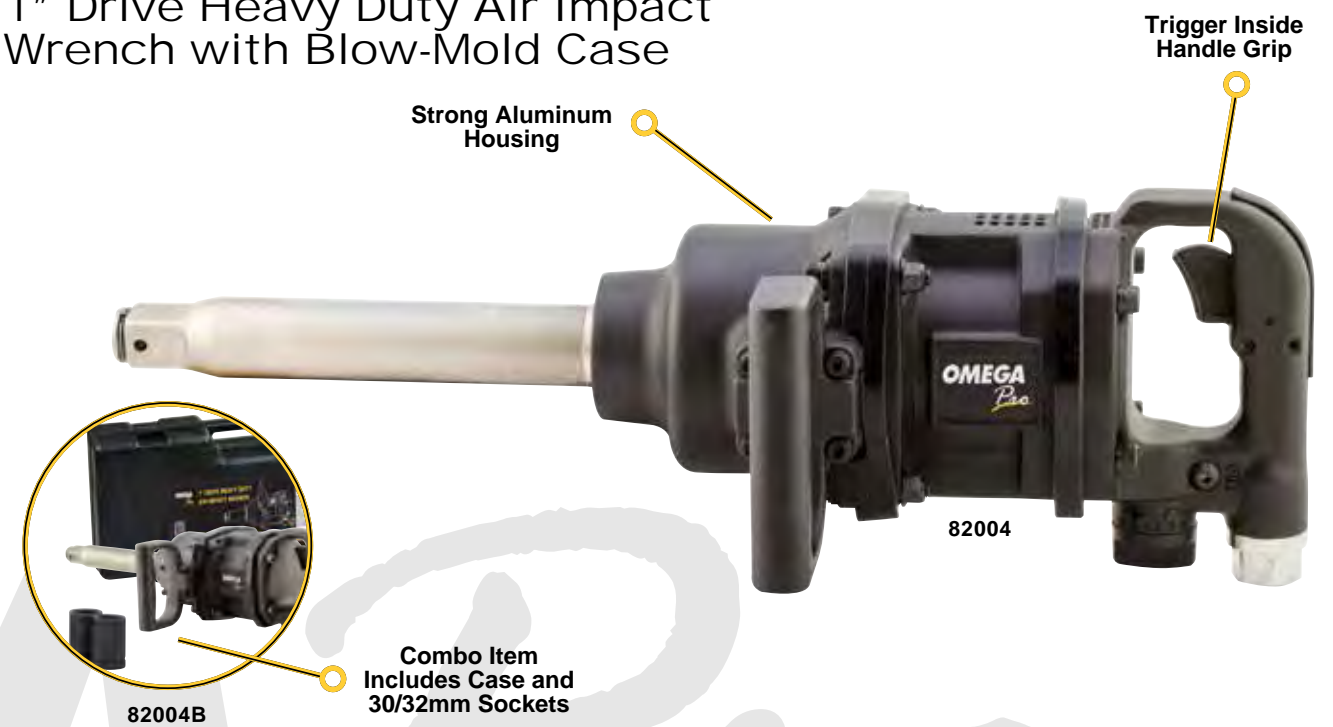
| Model | Description                                     | Torque Range (Ft-Lbs) (Min/Max) |     | Weight    |
|-------|---|---------------------------------|-----|-----------|
| 83013 | ½" Drive Adjustable Torque Wrench 30-250 ft-lbs | 30                              | 250 | 6.90 lbs  |
| 83031 | ¾" Drive Heavy Duty Torque Wrench               | 74                              | 738 | 18.70 lbs |
| 83012 | 5-Pc ½" Drive Preset Torque Wrench Set          | 65                              | 140 | 19.05 lbs |

## AIR IMPACT WRENCHES

### ½" Drive Mini Light Weight Air Impact Wrench



### 1" Drive Heavy Duty Air Impact Wrench with Blow-Mold Case



| Model  | Description                                     | Max Torque (Ft-Lbs) | Weight    |
|--------|---|---------------------|-----------|
| 82001  | ½" Drive Mini Light Weight Air Impact Wrench    | 500.00              | 3.52 lbs  |
| 82004  | 1" Drive Heavy Duty Air Impact Wrench           | 2,065.00            | 35.70 lbs |
| 82004B | 1" Drive Heavy Duty Air Impact Wrench (w/ Case) | 2,065.00            | 40.80 lbs |



## TOOL CART & SOCKET SET

350 lbs Capacity Tool Cart

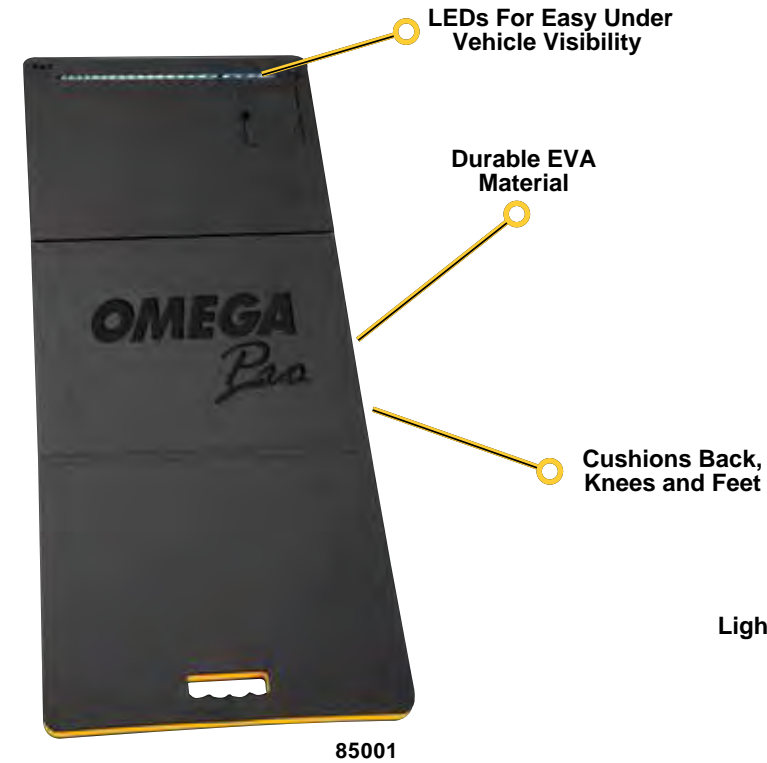


95 PC 1/4" & 3/8" Drive Metric Socket Set

| Model | Description                               | Weight    |
|-------|---|-----------|
| 97431 | Tool Cart, 350 lbs Capacity               | 67.10 lbs |
| 83028 | 95 PC 1/4" & 3/8" Drive Metric Socket Set | 10.42 lbs |

## EVA PADS & TIRE INFLATORS

3-Fold EVA Pad With 21 LED Light



EVA Knee Pad



Lightweight

Digital Tire Inflator

Mini Digital Tire Inflator



| Model | Description                      | Reads Pressure Up To | Weight   |
|-------|----------------------------------|----------------------|----------|
| 83014 | Digital Tire Inflator            | 160 PSI              | 1.78 lbs |
| 83016 | Mini Digital Tire Inflator       | 160 PSI              | 1.98 lbs |
| 85001 | 3-Fold EVA Pad With 21 LED Light | -                    | 3.75 lbs |
| 85002 | EVA Knee Pad                     | -                    | 0.45 lbs |

# HEIN-WERNER AUTOMOTIVE®

## Chapter Table of Contents

- 52 Service Jacks
- 53 Long Chassis Service Jacks
- 54 Speed Pak™ Air Hydraulic Service Jacks
- 55 Forklift Jack
- 55 Air Hydraulic Truck Jack
- 55 Air Jack and Stand
- 56 Truck Jacks
- 57 Vehicle Stands
- 57 High Reach Jack Stands
- 58 Heavy Duty Jack Stands
- 58 Forklift Jack Stands
- 59 End Lift
- 59 End Lift with Remote Operation
- 60 Wheel Lift System
- 62-63 Engine Crane and Accessories
- 64-65 Engine Stands and Accessories
- 66 Floor Style Transmission Jack
- 66 Telescopic Transmission Jack
- 67 Wheel Dolly
- 68-75 Shop Presses and Accessories

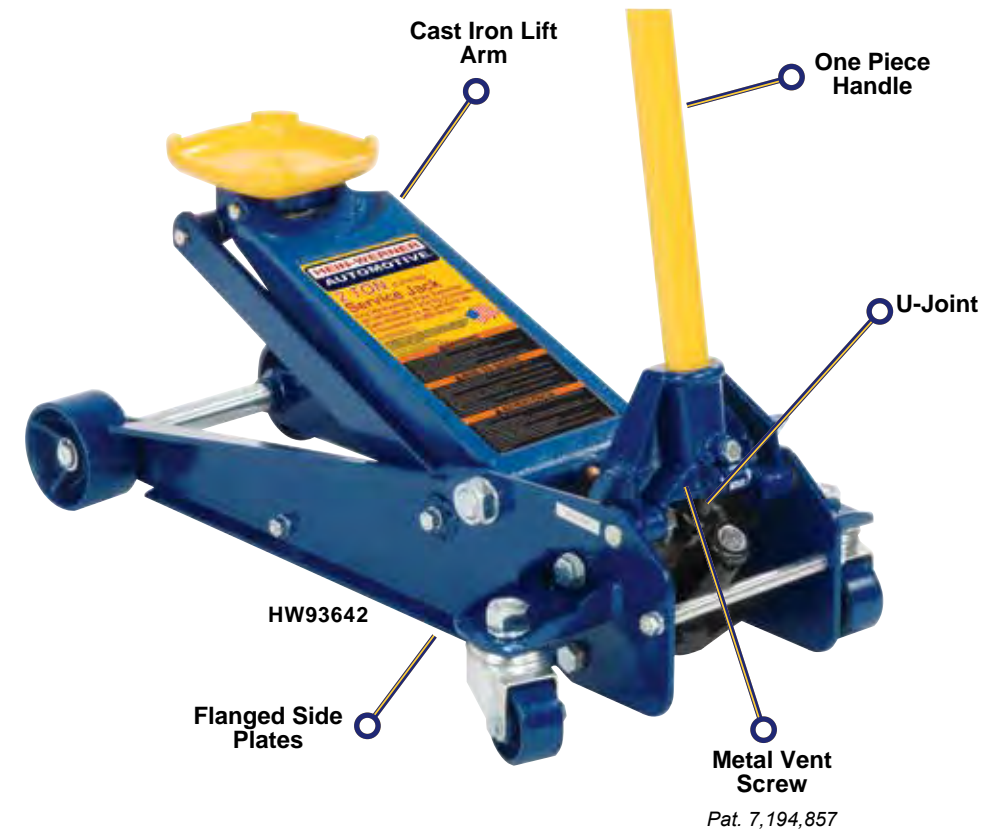
Hein-Werner Automotive line has stood for quality, durability, performance and incorporation of US Manufacturing for decades. TAA / BAA Compliance as well as National Stock Numbers has made this lift equipment line a staple of GSA contracts for many generations. All Hein-Werner Automotive equipment strives to adhere to current ASME/PASE safety regulations. All Hein-Werner Automotive Equipment products carries a two year manufacturer's warranty, please see warranty section for added information.

*This photo is for marketing purposes only and does not directly reflect on how products should be used. Please refer to your products Owners Manuals for suggested uses.*

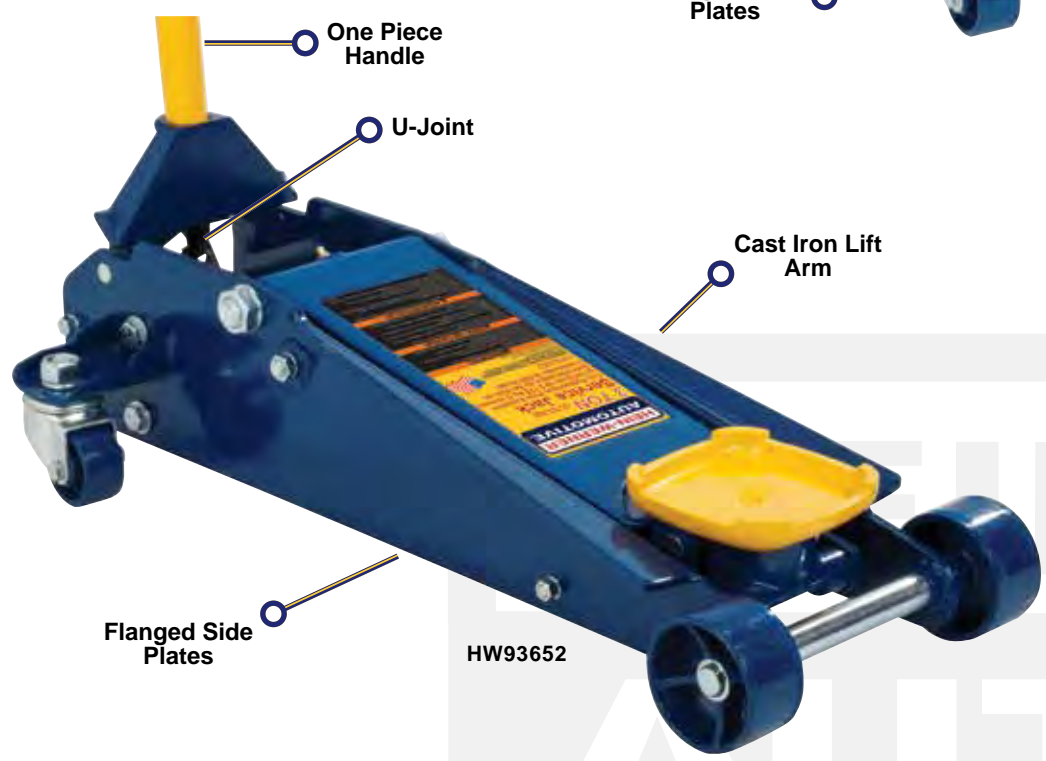


**SERVICE JACKS**

2 Ton Heavy Duty Service Jack

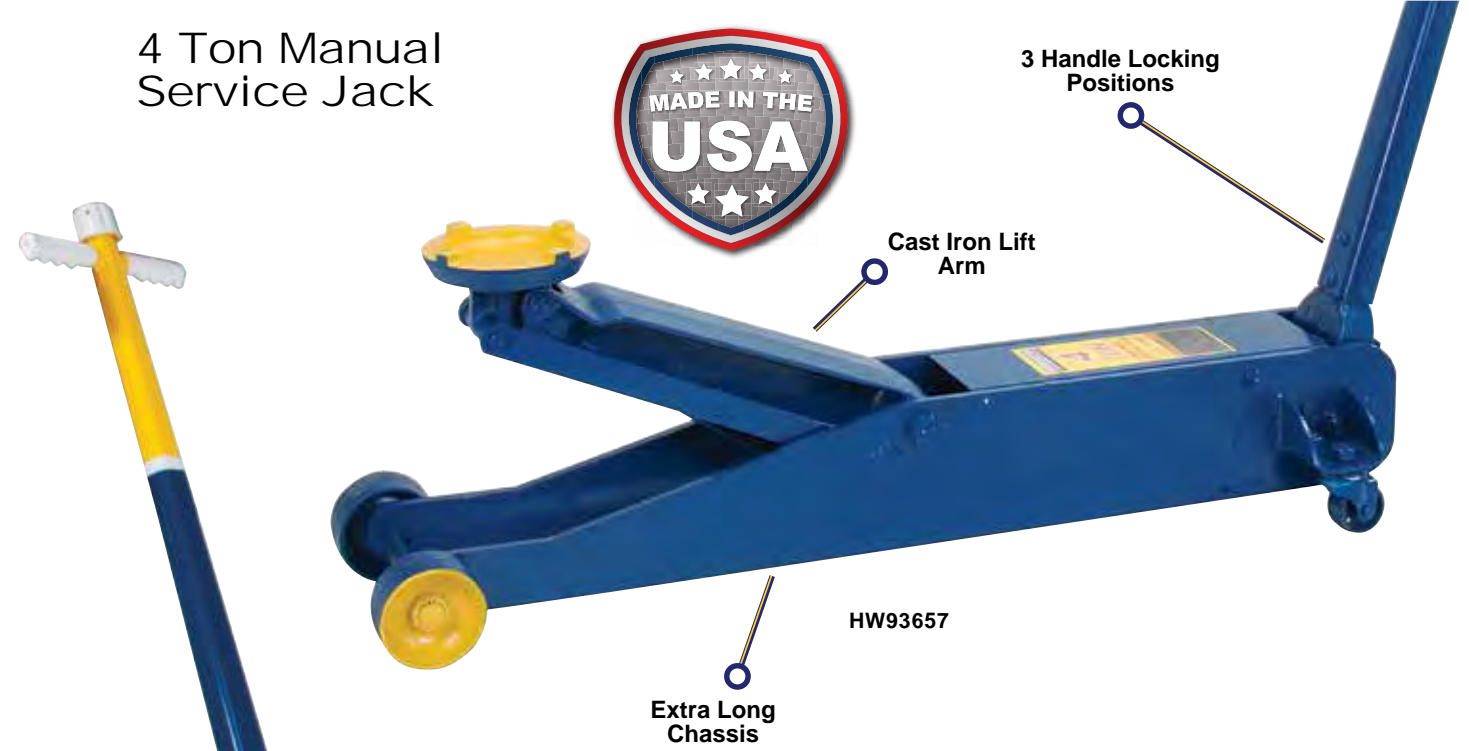


3 Ton Heavy Duty Service Jack

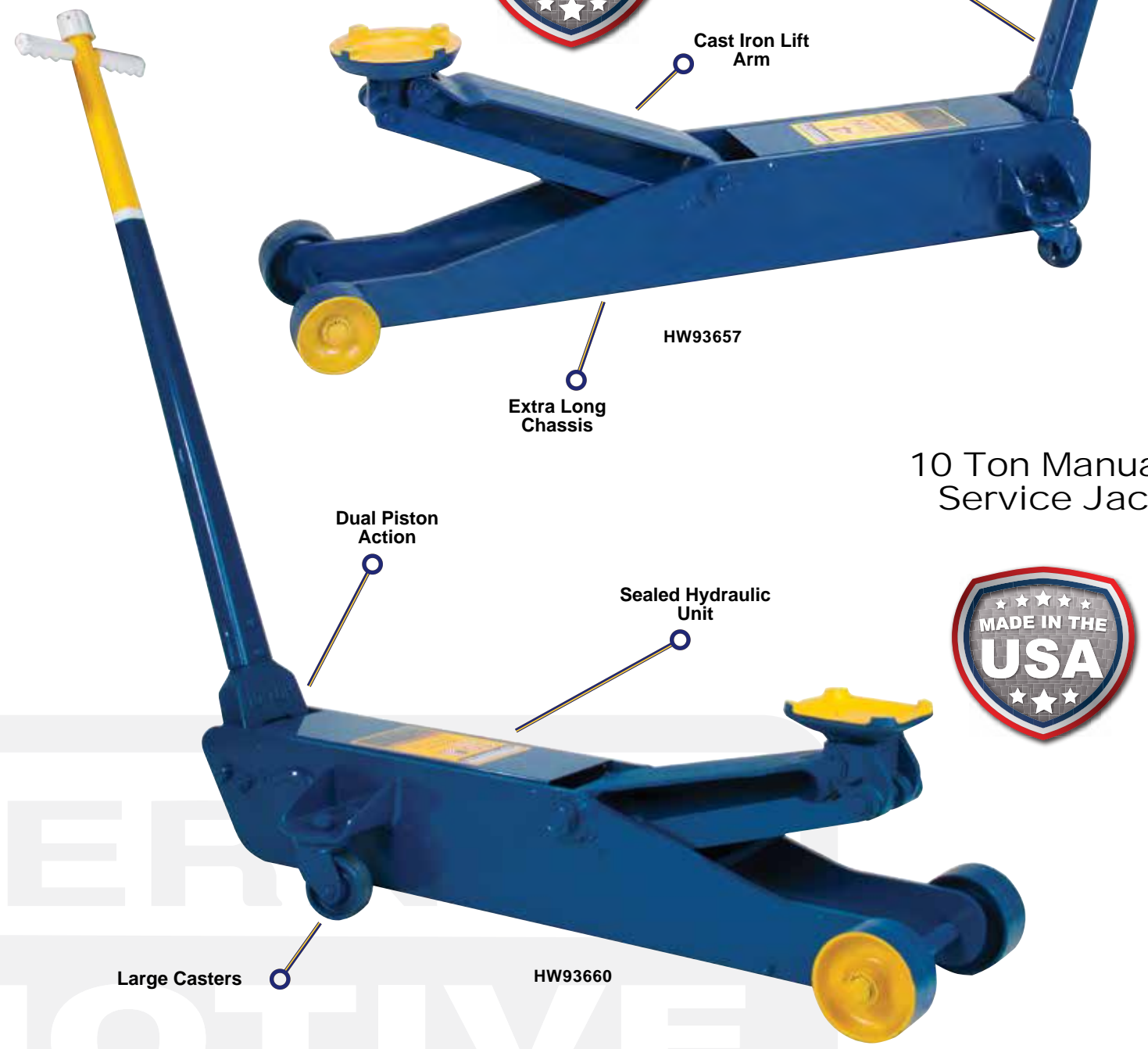


**LONG CHASSIS SERVICE JACKS**

4 Ton Manual Service Jack



10 Ton Manual Service Jack

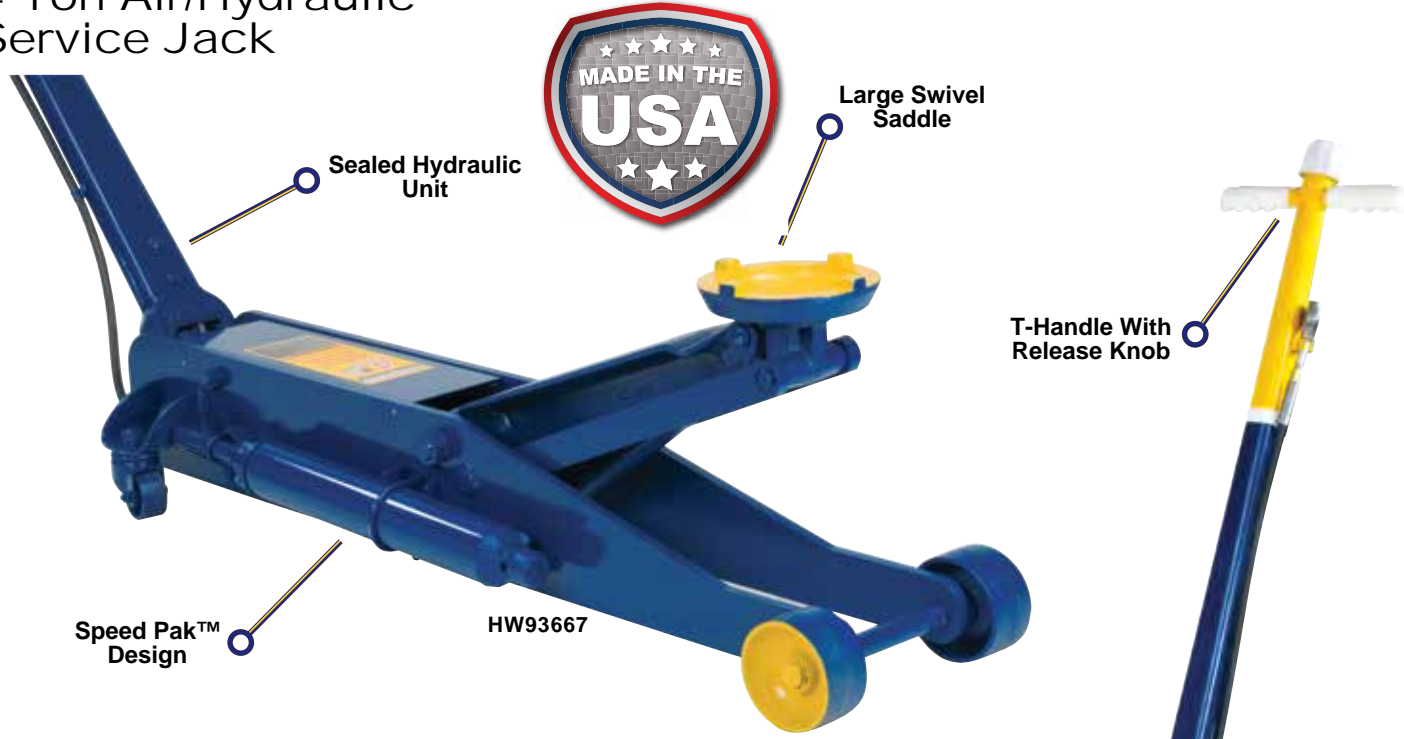


| Model   | Description                   | Height (Min/Max) | Power Raise | Saddle Dia. | Handle Length | Base Size (L x W) | Weight     |
|---------|-------------------------------|------------------|-------------|-------------|---------------|-------------------|------------|
| HW93642 | 2 Ton Heavy Duty Service Jack | 4.50" / 20.00"   | 15.50"      | 6.38"       | 48.00"        | 28.50" / 15.00"   | 99.00 lbs  |
| HW93652 | 3 Ton Heavy Duty Service Jack | 5.25" / 23.50"   | 18.25"      | 6.75"       | 48.00"        | 31.50" / 15.00"   | 123.00 lbs |

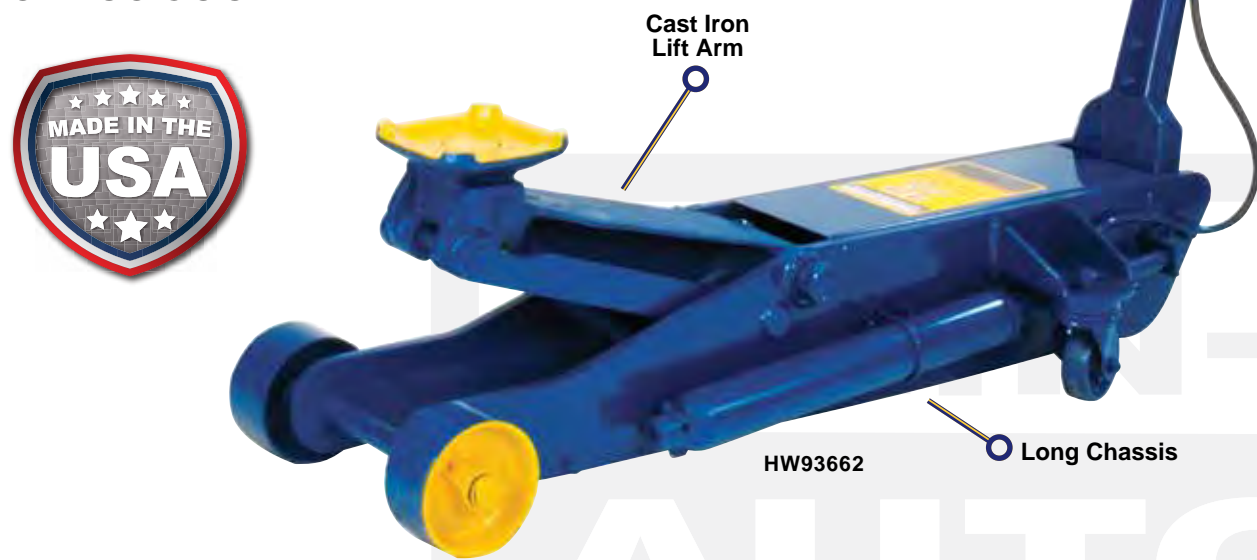
| Model   | Description                | Height (Min/Max) | Power Raise | Saddle Dia. | Handle Length | Base Size (L x W) | Weight     |
|---------|----------------------------|------------------|-------------|-------------|---------------|-------------------|------------|
| HW93657 | 4 Ton Manual Service Jack  | 5.50" / 26.50"   | 21.00"      | 7.00"       | 51.75"        | 48.00" / 14.50"   | 222.00 lbs |
| HW93660 | 10 Ton Manual Service Jack | 6.50" / 25.50"   | 19.00"      | 8.50"       | 53.00"        | 54.00" / 20.50"   | 420.00 lbs |

**AIR/MANUAL  
SERVICE JACKS**

**4 Ton Air/Hydraulic Service Jack**



**10 Ton Air/Hydraulic Service Jack**



**FORKLIFT/TRUCK JACKS**

**4 Ton Forklift Jack**

**20 Ton Air/Hydraulic Truck Jack**



**10 Ton Air Jack**



| Model   | Description                       | Height (Min/Max) | Power Raise | Saddle Dia. | Handle Length | Base Size (L x W) | Weight     |
|---------|-----------------------------------|------------------|-------------|-------------|---------------|-------------------|------------|
| HW93667 | 4 Ton Air/Hydraulic Service Jack  | 5.50" 26.50"     | 21.00"      | 7.00"       | 51.75"        | 48.00" 14.50"     | 237.00 lbs |
| HW93662 | 10 Ton Air/Hydraulic Service Jack | 6.50" 25.50"     | 19.00"      | 8.50"       | 53.00"        | 54.00" 20.50"     | 430.00 lbs |

| Model    | Description                     | Height (Min/Max) | Power Raise | Handle Length | Base Size (L x W) | Weight     |
|----------|---------------------------------|------------------|-------------|---------------|-------------------|------------|
| HW93659  | 4 Ton Forklift Jack             | 2.50" 16.50"     | 14.00"      | 25.00"        | 8.00" 26.50"      | 71.00 lbs  |
| HW93731  | 20 Ton Air/Hydraulic Truck Jack | 9.25" 17.75"     | 5.50"       | 39.50"        | 8.75" 5.50"       | 67.00 lbs  |
| HW93737A | 10 Ton Air Jack                 | 17.75" 40.00"    | 11.50"      | 38.00"        | 12.00" 12.00"     | 165.00 lbs |

**TRUCK  
JACKS**

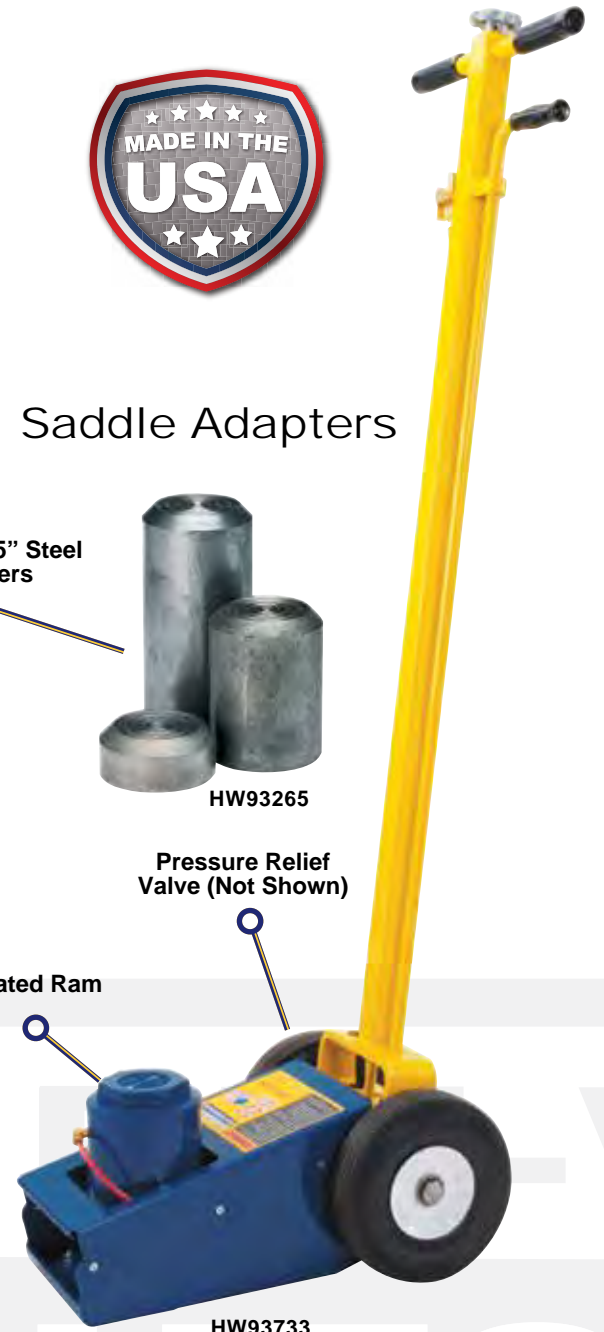
**JACK  
STANDS**

25 Ton Truck Jack  
With 3" Adapter

20 Ton  
Truck Jack

3 Ton Jack Stands

6 Ton  
Jack Stands



Saddle Adapters

1" 3" and 5" Steel Adapters



HW93265



| Model    | Description                     | Height (Min/Max)     | Power Raise | Handle Length | Ext Screw | Operating Pressure (PSI) | Base Size (L x W) | Weight     |
|----------|---------------------------------|----------------------|-------------|---------------|-----------|--------------------------|-------------------|------------|
| HW93735A | 25 Ton Truck Jack w/ 3" Adapter | 8.25" 21.50"         | 5.13"       | 53.00"        | 5.13"     | 110-200                  | 20.00" 14.00"     | 124.00 lbs |
| HW93733  | 20 Ton Truck Jack               | 9.00" 19.75"         | 6.00"       | 52.50"        | 4.75"     | 110-140                  | 8.00" 17.00"      | 88.50 lbs  |
| HW93265  | Saddle Adapter                  | For use with HW93733 |             |               |           |                          |                   | 8.26 lbs   |

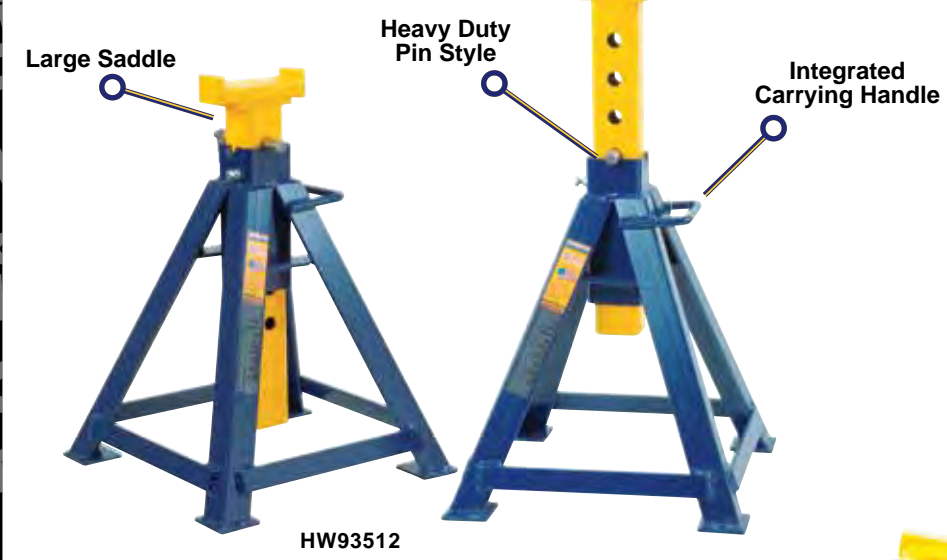
| Model   | Description                   | Height (Min/Max) | Height Intervals | Base Size (L x W) | Saddle Size (L x W) | Weight     |
|---------|-------------------------------|------------------|------------------|-------------------|---------------------|------------|
| HW93503 | 3 Ton Jack Stands             | 12.13" 19.00"    | 0.69"            | 7.25" 9.00"       | 1.00" 4.50"         | 18.50 lbs  |
| HW93506 | 6 Ton Jack Stands             | 16.25" 25.75"    | 0.63"            | 10.25" 13.00"     | 1.00" 5.00"         | 41.00 lbs  |
| HW93511 | 10 Ton High Reach Jack Stands | 30.00" 52.00"    | 2.00"            | 19.00" 19.00"     | 3.00" 5.75"         | 148.00 lbs |

\* Rated capacity for all jack stands are rated to be used in matching pairs.  
\*\* Except HW93503 and HW93506

# HEAVY DUTY JACK STANDS

# END LIFTS

10 Ton Heavy Duty Jack Stands



HW93512



25 Ton Jack Stands



HW93526F

Wide Base



7 Ton Forklift Stands



HW93524A

Heavy Duty Holding Pin



2.5 Ton Air Operated End Lift



2.5 Ton Air Operated End Lift With Remote Operation

HW93696A

HW93696U

HW93697

With Remote Operation

| Model    | Description                   | Height (Min/Max) | Height Intervals | Base Size (L x W) | Saddle Size (L x W) | Weight    |
|----------|-------------------------------|------------------|------------------|-------------------|---------------------|-----------|
| HW93512  | 10 Ton Heavy Duty Jack Stands | 20.00" 31.50"    | 2.00"            | 16.00" 16.00"     | 3.00" 5.75"         | 90.00 lbs |
| HW93526F | 25 Ton Vehicle Support Stands | 12.38" 20.38"    | 2.13"            | 9.88" 9.88"       | 2.25" 3.25"         | 90.00 lbs |
| HW93524A | 7 Ton Forklift Stands         | 9.50" 15.75"     | 1.00"            | 7.50" 7.50"       | 2.50" 4.50"         | 36.00 lbs |

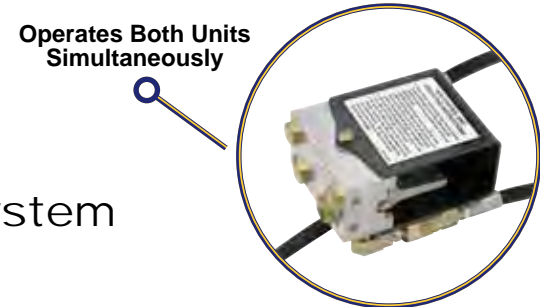
| Model    | Description                   | Height (Min/Max)                              | Saddle Spread   | Power Raise | Min. Air Pressure | Weight     |
|----------|-------------------------------|---|-----------------|-------------|-------------------|------------|
| HW93696A | 2.5 Ton Air Operated End Lift | 11.00" 35.38"                                 | 23.25" - 41.25" | 24.75"      | 200 PSI           | 210.00 lbs |
| HW93696U | 2.5 Ton Air Operated End Lift | 11.00" 35.38"                                 | 23.25" - 41.25" | 24.75"      | 200 PSI           | 276.00 lbs |
| HW93697  | Remote Operation Kit          | Operates both (HW93696U) units simultaneously |                 |             |                   | 4.00 lbs   |

\* Rated capacity for all jack stands are rated to be used in matching pairs

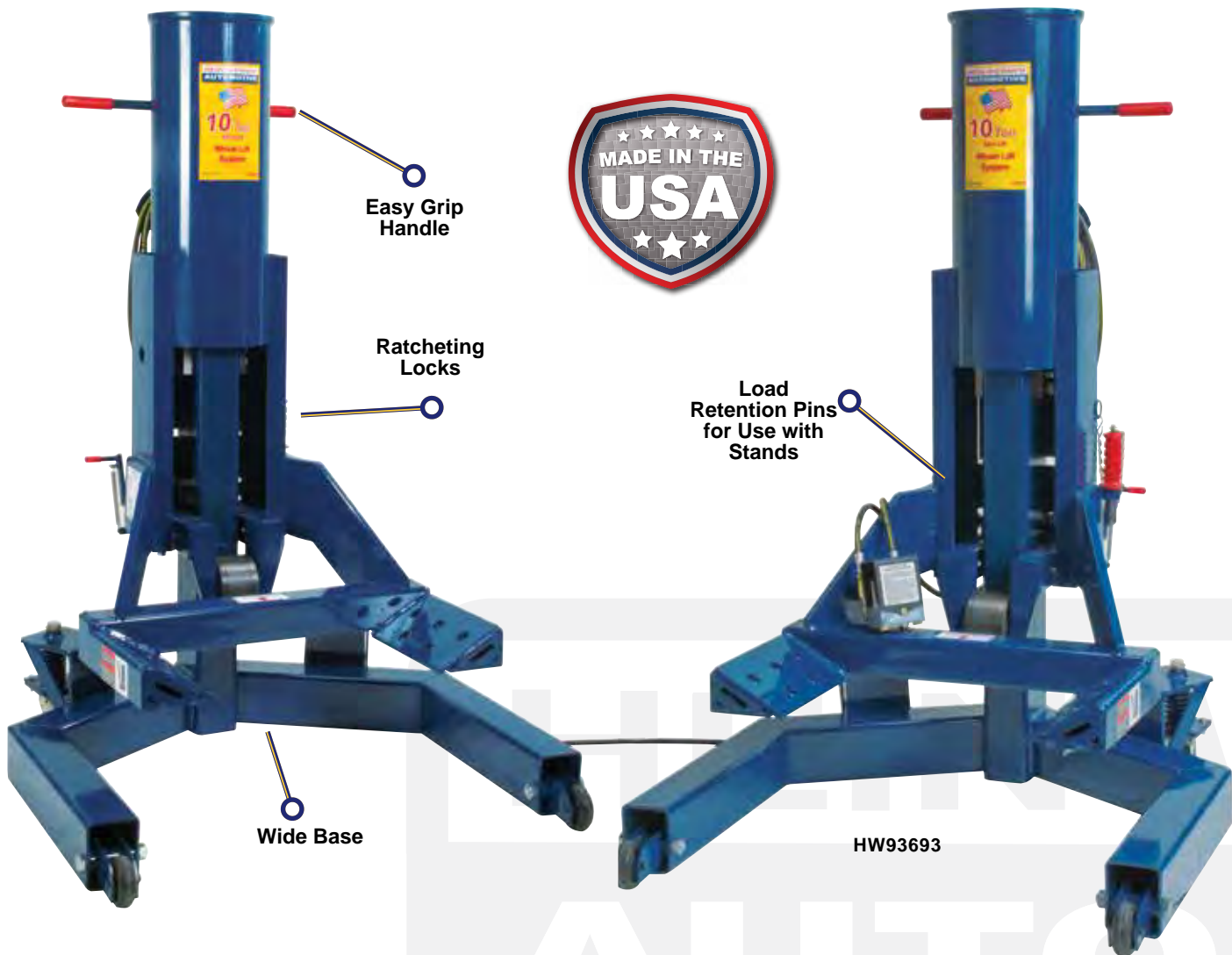


# WHEEL LIFT SYSTEM/KIT

## Remote Operation Kit



## 10 Ton Wheel Lift System



# END LIFT

## 10 Ton Air Operated End Lift

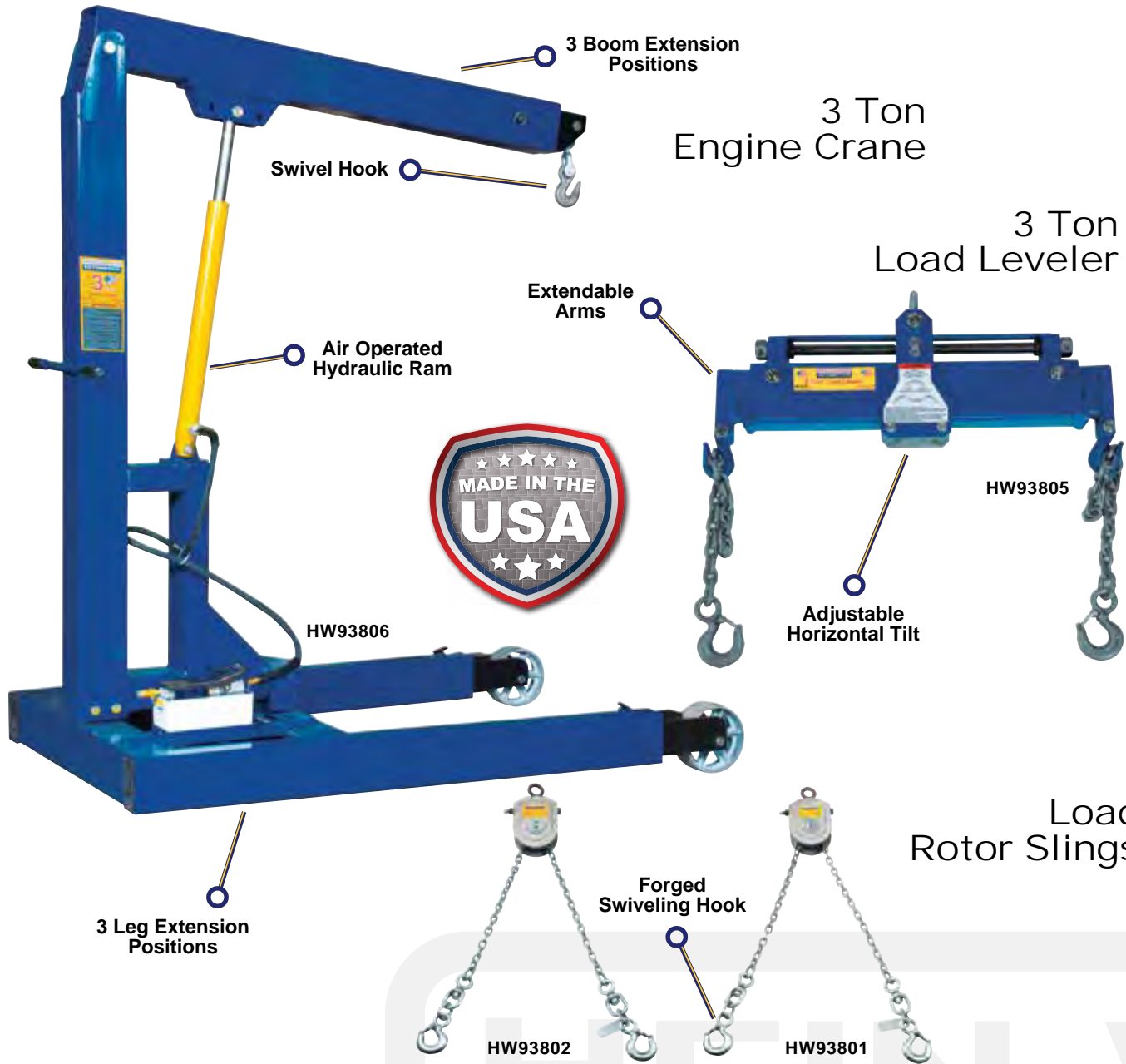


| Model    | Description              | Height (Min/Max)     | Frame Size (W x H) | Power Raise | Min Air Pressure | Weight       |
|----------|--------------------------|----------------------|--------------------|-------------|------------------|--------------|
| HW93693* | 10 Ton Wheel Lift System | Floor level / 24.00" | 41.96" / 53.25"    | 24.00"      | 160 PSI          | 1,234.00 lbs |

| Model   | Description                  | Height (Min/Max) | Saddle Spread   | Frame Size (W x H) | Power Raise | Min. Air Pressure | Weight     |
|---------|------------------------------|------------------|-----------------|--------------------|-------------|-------------------|------------|
| HW93690 | 10 Ton Air Operated End Lift | 12.50" / 46.00"  | 28.00" - 53.00" | 35.25" / 65.00"    | 36.75"      | 200 PSI           | 670.00 lbs |

\* Rated capacity for HW93693 is designed to be used in matching pairs. Refer to the products owners manual for proper usage.

**ENGINE  
CRANES**



| Model   | Description            | Boom Cap. @ Length                    | Hook Height (Min/Max) | Leg Ext.  | Size (L x W x H) | Wheel Dia. (Front/Rear) | Weight      |              |
|---------|------------------------|---------------------------------------|-----------------------|-----------|------------------|-------------------------|-------------|--------------|
| HW93806 | 3 Ton Engine Crane     | 3 Ton                                 | 30.50"                | 120.50"   | 91.25"           | 75.00" 51.00" 88.50"    | 8.00" 6.00" | 1,110.00 lbs |
|         |                        | 2.5 Ton                               | 18.50"                | 128.50"   | 106.75"          |                         |             |              |
|         |                        | 2 Ton                                 | 6.50"                 | 144.50"   | 123.00"          |                         |             |              |
| Model   | Description            | Hex Drive                             | Chain Length          | Link Size | Weight           |                         |             |              |
| HW93805 | 3 Ton Load Leveler     | For use with an engine crane or hoist |                       |           | 77.00 lbs        |                         |             |              |
| HW93802 | 2 Ton Load Rotor Sling | 0.63"                                 | 100.00"               | 0.31"     | 32.00 lbs        |                         |             |              |
| HW93801 | 1 Ton Load Rotor Sling | 0.63"                                 | 65.00"                | 0.31"     | 32.00 lbs        |                         |             |              |

**ENGINE  
CRANES**



| Model   | Description                 | Chain Length | Link Size | Weight   |
|---------|-----------------------------|--------------|-----------|----------|
| HW93803 | 1 Ton Adjustable Load Sling | 66.00"       | 0.22"     | 5.05 lbs |
| HW93804 | 2 Ton Adjustable Load Sling | 66.25"       | 0.31"     | 9.55 lbs |

| Model   | Description                        | Capacity  | Hook Height (Min/Max) | Base Length | Base Width (Front/Rear) | Height | Wheel Dia | Weight |
|---------|------------------------------------|-----------|-----------------------|-------------|-------------------------|--------|-----------|--------|
| HW93809 | 2 Ton Manual/Foldable Engine Crane | 4,400 lbs | 30.50"                | 120.50"     | 75.00"                  | 56.00" | 28.00"    | 83.00" |
|         |                                    | 3,800 lbs | 18.50"                | 132.50"     |                         |        |           |        |
|         |                                    | 3,300 lbs | 6.50"                 | 144.50"     |                         |        |           |        |

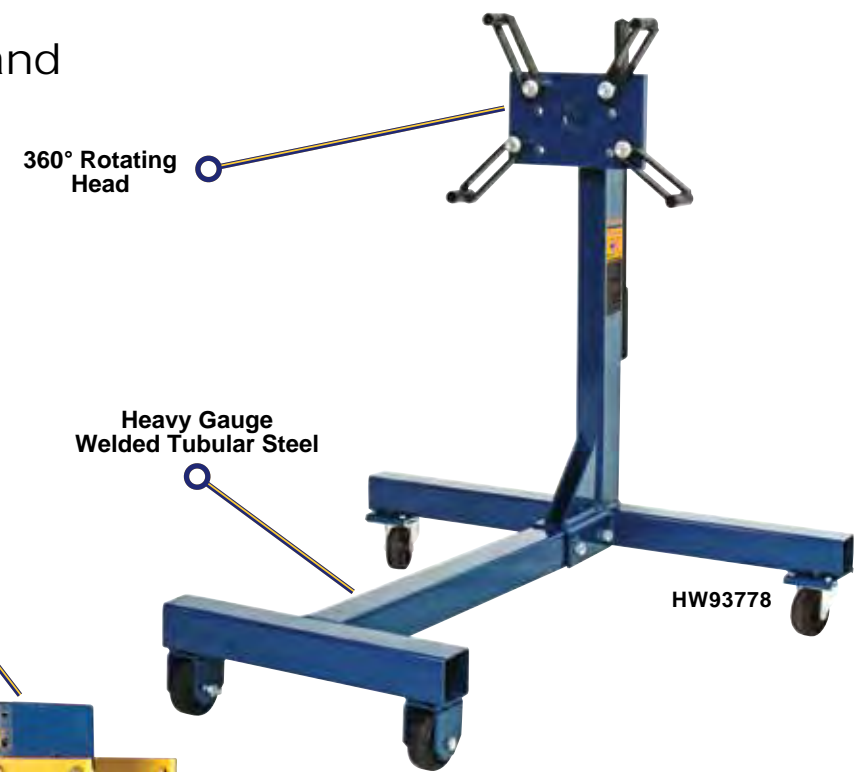




## ENGINE STANDS

## ENGINE STAND ADAPTERS

1,250 lbs Engine Stand



HW93778



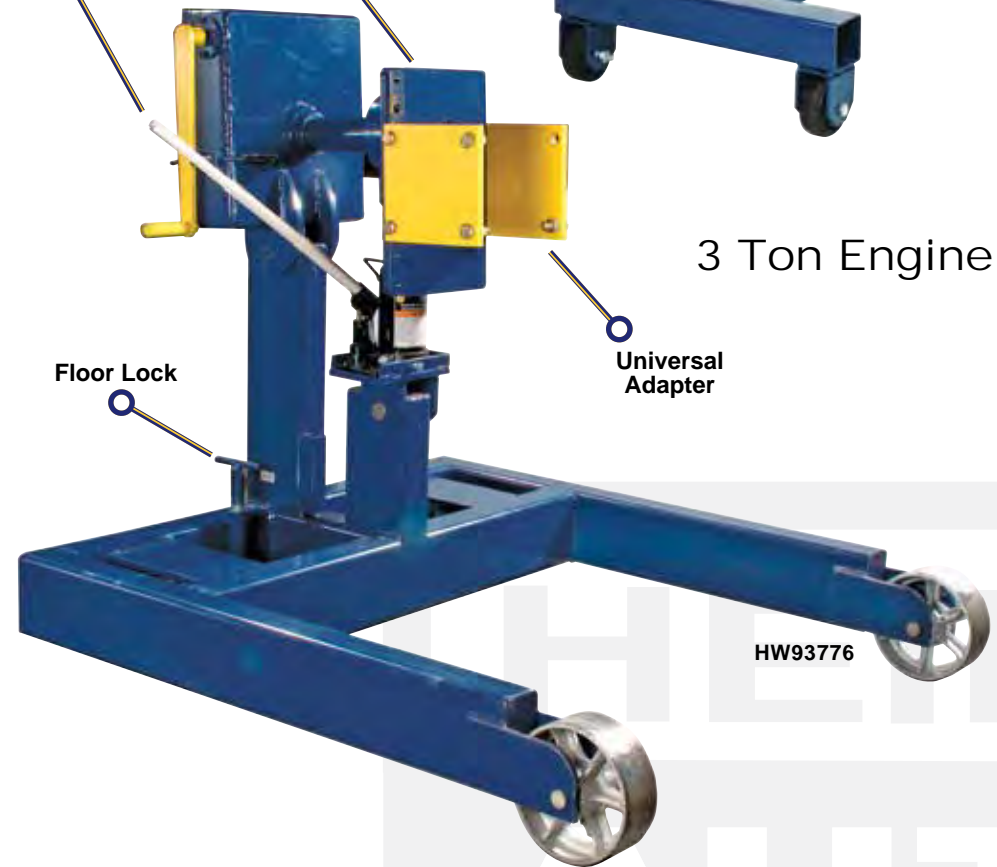
360° Rotating Head

Long Handle

Floor Lock

Heavy Gauge Welded Tubular Steel

3 Ton Engine Stand



HW93776



| Model   | Description            | Dimensions (L x W x H) |        |        | Wheel Dia. (Front/Rear) |       | Rotational Clearance (Head/Ground) |        | Weight     |
|---------|------------------------|------------------------|--------|--------|-------------------------|-------|------------------------------------|--------|------------|
| HW93776 | 3 Ton Engine Stand     | 52.00"                 | 46.00" | 46.00" | 8.00"                   | 5.75" | 37.50"                             | 43.50" | 602.00 lbs |
| HW93778 | 1,250 lbs Engine Stand | 36.00"                 | 35.00" | 34.00" | 3.00"                   | 3.00" | -                                  | -      | 76.00 lbs  |



| Model      | Description                              | Compatible Engines   | Weight    |
|------------|--|--|-----------|
| HW93776-1  | Adapter Plate For Cummins Engine         | For all NH, NTC, & NTE 855 Series in-line 6 cylinder, 378 Series V6, 504, 555 & 903 Series V8, KT 1150 Series in-line 6 Cylinder L10 | 30.00 lbs |
| HW93776-2  | Adapter Plate For Detroit Engine         | For 53 Series in-line 6 Cylinder, 6V & 8V also 71 series in-line 6 cylinder, 6V, 8V & 12V also 92 series 6V & 8V also 8.2 liter V8.  | 71.15 lbs |
| HW93776-3  | Adapter Plate For Mack Engine            | For 672, 673, 675 & 711. Series in-line 6 cylinder   | 68.00 lbs |
| HW93776-4  | Adapter Plate For International Engine   | For DT-466 in-line 6 cylinder DV-550, MV-404, MV-446, V304, V435, V392, 4-152, 4-194, 4-196, 9.0 liter V8, 6.9L (Ford).              | 59.00 lbs |
| HW93776-5  | Adapter Plate For Caterpillar Engine     | For 1673, 1674, 1693, 3306 & 3406 in-line 6 cylinder also 1100 & 3208 V8 and 3408 V8.  | 73.00 lbs |
| HW93776-6  | Adapter Plate For Allison Engine         | For AT 500, MT 600, MT 6 speed, VH, VS and V730  | 30.00 lbs |
| HW93776-7  | Engine Stand Adapter                     | For small size vehicle and light truck Engine 2,000 Lbs. capacity.   | 38.00 lbs |
| HW93776-8  | Detroit Diesel V6 & V8, Ser 71 Engine Ad | For Detroit Diesel V6 & V8, Ser 71   | 55.00 lbs |
| HW93776-9  | Adapter Plate For Caterpillar Engine     | For 3114, 3116, 3176   | 48.00 lbs |
| HW93776-10 | Adapter Plate For Mack Engine            | For Mack V8 1000, E6 & E7 In-Line 6 Engine Adapter   | 42.00 lbs |
| HW93776-11 | Adapter Plate For Volvo Engine           | For Volvo Td67 & Td71 Engine Adapter   | 52.00 lbs |
| HW93776-12 | Adapter Plate For Detroit Allison Engine | For Detroit Alison Trans HT740D, HT750, HT750CT, CLBT, CR/DR Adapter   | 63.00 lbs |
| HW93776-13 | Adapter Plate For New Holland Engine     | For Ford New Holland 6.6L & 7.8L Engine Adapter  | 63.00 lbs |

\*All Engine Stand Adaptors are made in the U.S.A.

# TRANSMISSION JACKS

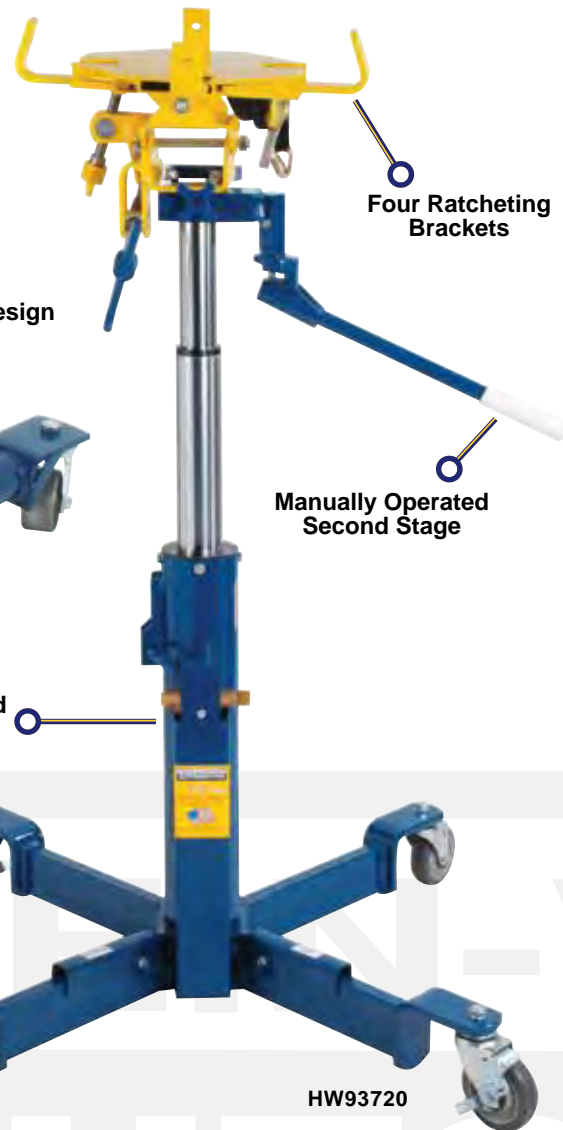
# TRANS JACK ACC & WHEEL DOLLY

1 Ton Floor Transmission Jack



HW93718

1,000 lbs Air/Manual Telescopic Trans Jack



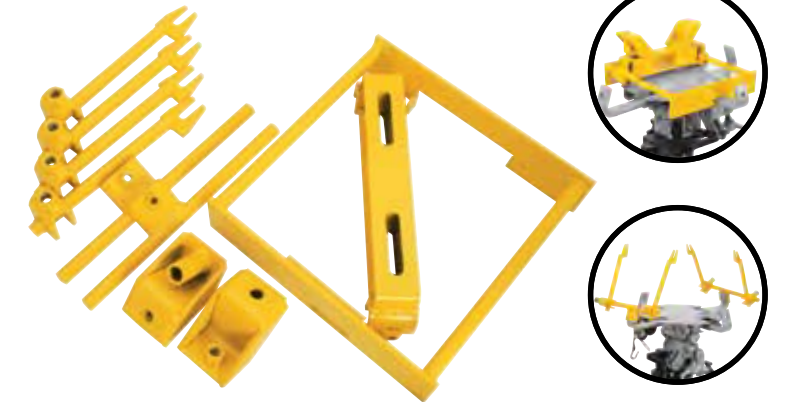
HW93720



Fuller Transmission Adapter Kit



Trans Jack Multi Adapter



1,500 lbs Wheel Dolly



HW93766



| Model   | Description                          | Height (Min/Max) | Chassis/ Base (L x W) | Tilt (Forward/Rear/Sideways) | Weight     |
|---------|--------------------------------------|------------------|-----------------------|------------------------------|------------|
| HW93718 | 1 Ton Floor Transmission Jack        | 10.25" 45.25"    | 47.50" 28.25"         | 27.70° 32.00° 13.00° L & R   | 309.00 lbs |
| HW93720 | 1,000 lbs Air/Manual Tele Trans Jack | 34.50" 72.00"    | 41.00" 41.00"         | 50.00° 20.00° 11.00° L & R   | 116.55 lbs |

\* Excluding: HW93720

| Model   | Description                     | Lift Range (Min/Max) | Lifting Arm (Length/Spread) | Size (L x W x H)          | Weight     |
|---------|---------------------------------|----------------------|-----------------------------|---------------------------|------------|
| HW93248 | Fuller Transmission Adapter Kit |                      |                             | For use with HW93718 only | 16.00 lbs  |
| HW93721 | Trans Jack Multi Adapter        |                      |                             | For use with HW93720 only | 20.00 lbs  |
| HW93766 | 1,500 lbs Wheel Dolly           | 0.00" 5.00"          | 24.75" 27.63"               | 37.50" 39.00" 32.00"      | 119.00 lbs |

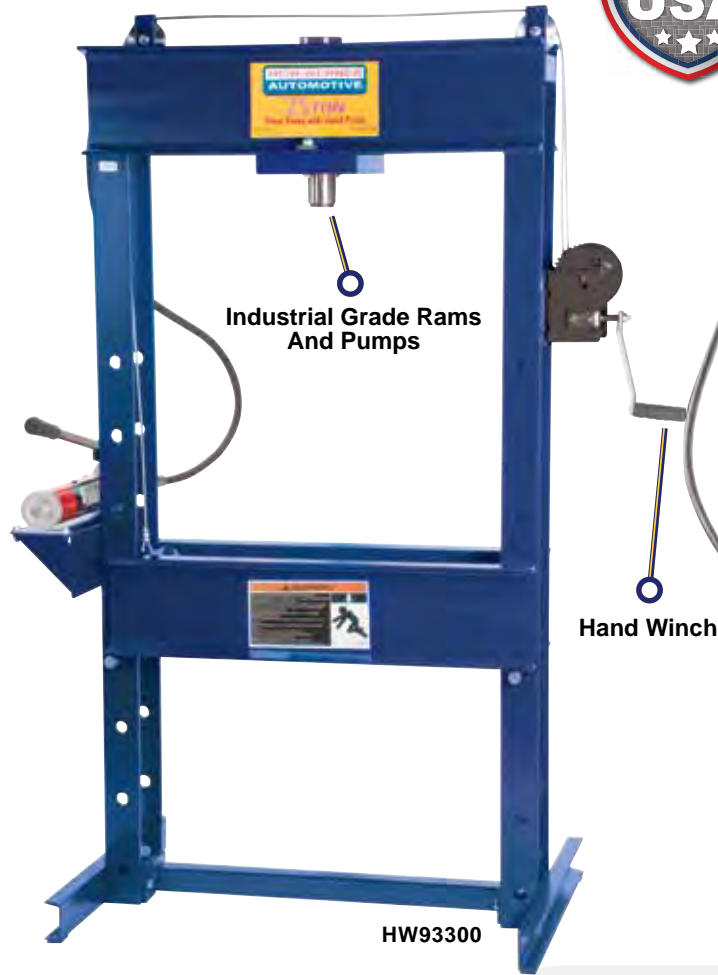


Hein-Werner Automotive

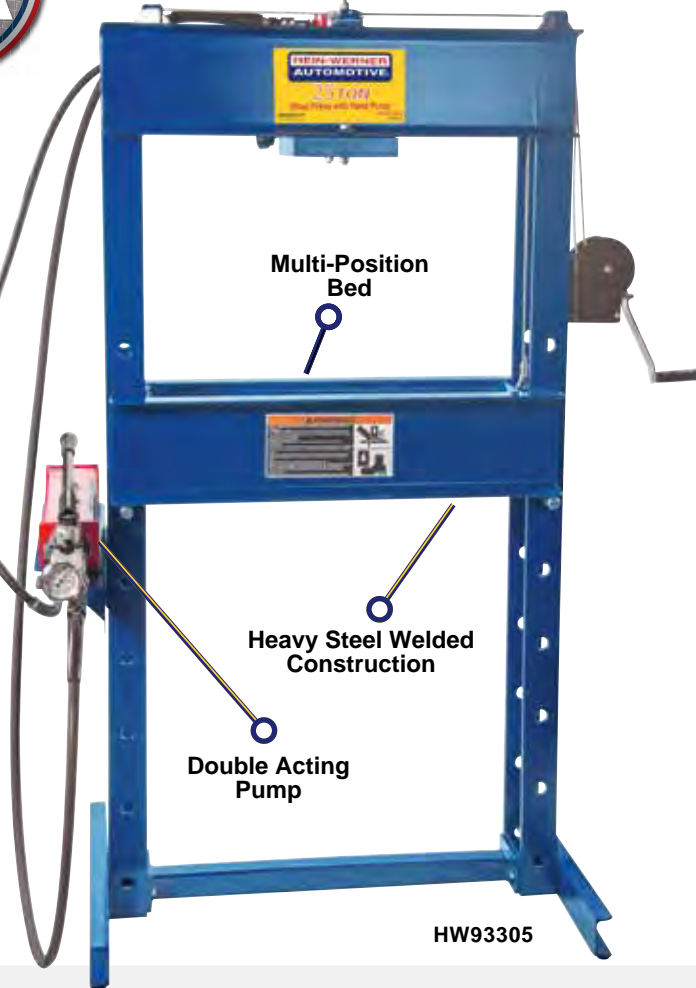
SHOP PRESSES

SHOP PRESSES

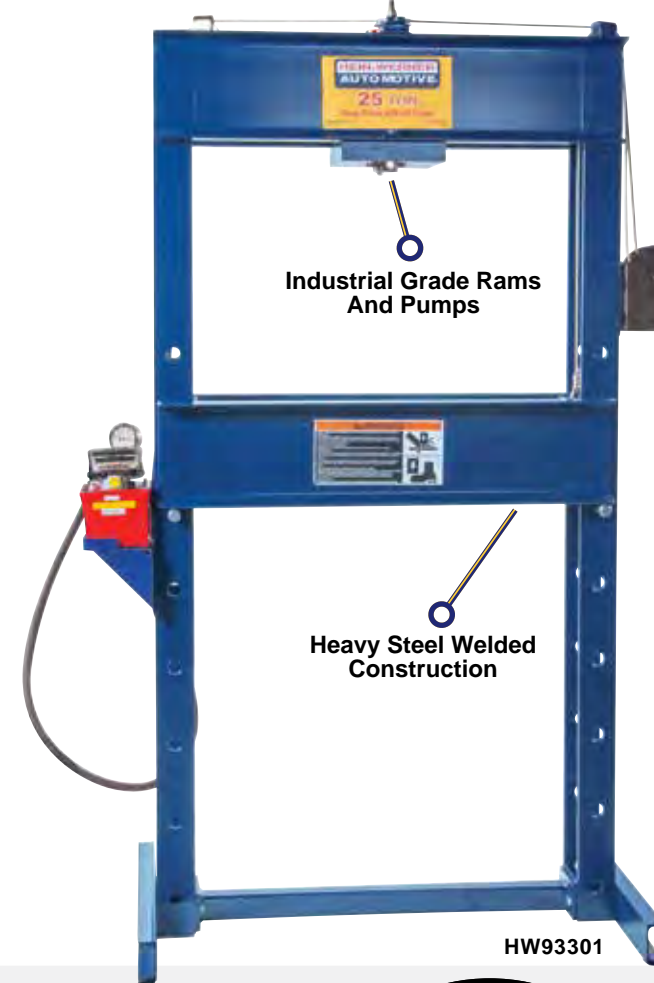
25 Ton Manual Hyd Shop Press



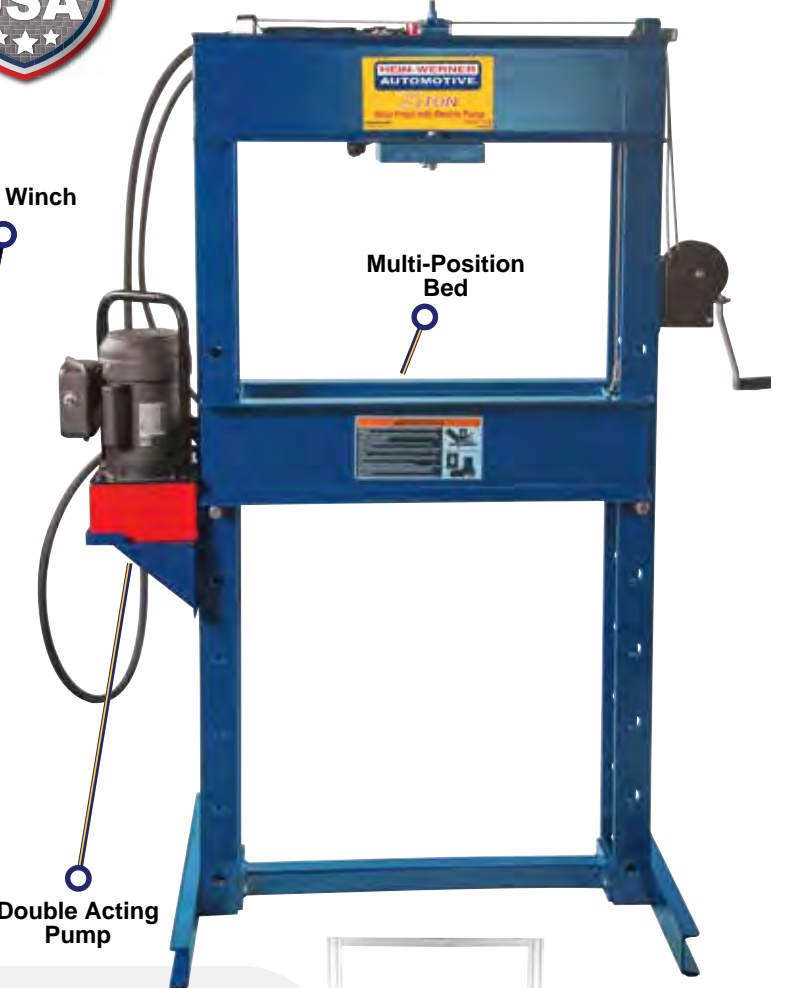
25 Ton Manual Hyd Shop Press



25 Ton Air Hyd Shop Press



25 Ton Electric Hyd Shop Press



Replacement 25 Ton Arbor Plates



25 Ton Shop Press Accessories



Shop Press Guard Accessory



| Model   | Description       | Stroke | Pump Type | Press Size (L x W x H) | Int Width | Bed Depth | Bed Pos | Chan Width | Working Height | Weight     |
|---------|-------------------|--------|-----------|------------------------|-----------|-----------|---------|------------|----------------|------------|
| HW93300 | 25 Ton Shop Press | 6.00"  | Manual    | 28.00" 42.75" 70.00"   | 30.00"    | 11.00"    | 8       | 6.75"      | 6.50"-49.50"   | 484.00 lbs |
| HW93305 | 25 Ton Shop Press | 6.00"  | Manual    | 28.00" 42.75" 70.00"   | 30.00"    | 11.00"    | 8       | 6.75"      | 6.50"-49.50"   | 484.00 lbs |

| Model   | Description       | Stroke | Pump Type | Press Size (L x W x H) | Int Width | Bed Depth | Bed Pos | Chan Width | Working Height | Weight     |
|---------|-------------------|--------|-----------|------------------------|-----------|-----------|---------|------------|----------------|------------|
| HW93301 | 25 Ton Shop Press | 6.00"  | Air       | 28.00" 42.75" 70.00"   | 30.00"    | 11.00"    | 8       | 6.75"      | 6.50"-49.50"   | 484.00 lbs |
| HW93306 | 25 Ton Shop Press | 6.00"  | Elec      | 28.00" 42.75" 70.00"   | 30.00"    | 11.00"    | 8       | 6.75"      | 6.50"-49.50"   | 484.00 lbs |

\* All our Shop Press Frames are made in U.S.A., the hydraulic units are products from Taiwan.

\* All our Shop Press Frames are made in U.S.A., the hydraulic units are products from Taiwan.

Hein-Werner Automotive

SHOP PRESSES

SHOP PRESSES

55 Ton Manual Hyd Shop Press



Industrial Grade Rams And Pumps

4" Pressure Gauge Standard

Multi-Position Bed

HW93400

55 Ton Air Hyd Shop Press



HW93401

Heavy Steel Welded Construction

55 Ton Air Hyd Shop Press

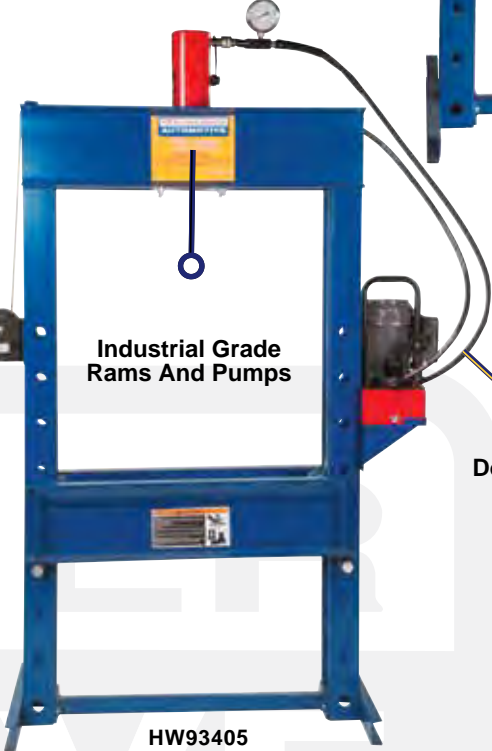


HW93403

Heavy Steel Welded Construction



55 Ton Double Acting Electric Hyd Shop Press

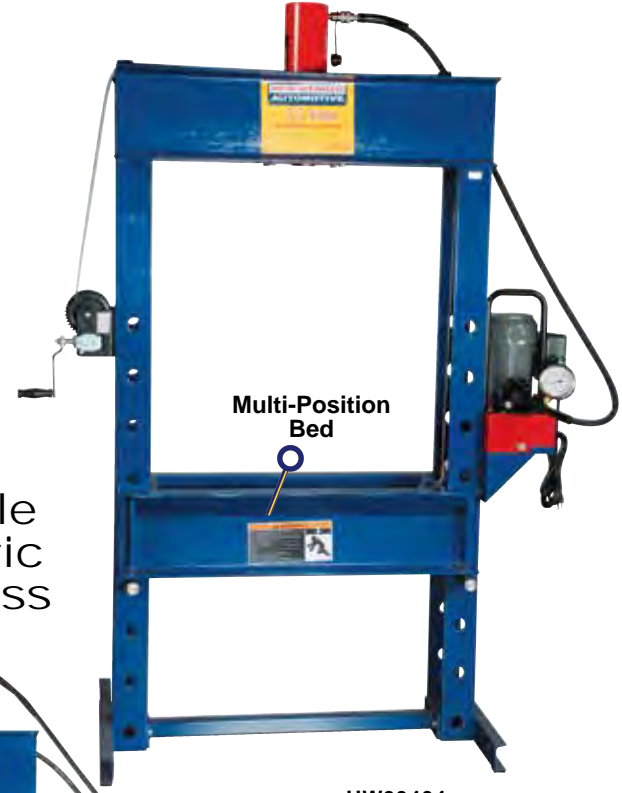


Industrial Grade Rams And Pumps

Hand Winch for Multi Position Bed

HW93405

55 Ton Electric Hyd Shop Press



HW93404

Multi-Position Bed

Double Acting Pump

Optional Shop Press Accessories



HW93409

55 Ton Electric Hyd Shop Press



HW93402

Replacement 55 Ton Arbor Plates



AP55



Shop Press Guard Accessory

Hand Winch for Multi Position Bed

HW93425

| Model   | Description       | Stroke | Pump Type | Press Size (L x W x H) | Int Width | Bed Depth | Bed Pos | Chan Width | Working Height | Weight     |
|---------|-------------------|--------|-----------|------------------------|-----------|-----------|---------|------------|----------------|------------|
| HW93400 | 55 Ton Shop Press | 6.00"  | Manual    | 30.00" 60.50" 80.50"   | 35.50"    | 14.88"    | 9       | 9.25"      | 7.50"-55.50"   | 855.00 lbs |
| HW93401 | 55 Ton Shop Press | 6.00"  | Air       | 30.00" 67.50" 80.50"   | 35.50"    | 14.88"    | 9       | 9.25"      | 7.50"-55.50"   | 850.00 lbs |
| HW93402 | 55 Ton Shop Press | 6.00"  | Elec      | 30.00" 67.50" 80.50"   | 35.50"    | 14.88"    | 9       | 9.25"      | 7.50"-55.50"   | 915.50 lbs |

\* All our Shop Press Frames are made in U.S.A., the hydraulic units are products from Taiwan.

| Model    | Description       | Str    | Pump Type | Press Size (L x W x H) | Int Width | Bed Depth | Bed Pos | Chan Width | Working Height | Weight     |
|----------|-------------------|--------|-----------|------------------------|-----------|-----------|---------|------------|----------------|------------|
| HW93403  | 55 Ton Shop Press | 13.00" | Air       | 30.00" 67.50" 87.50"   | 35.50"    | 14.88"    | 9       | 9.25"      | 7.50"-55.50"   | 891.00 lbs |
| HW93404  | 55 Ton Shop Press | 13.00" | Elec      | 30.00" 67.50" 87.50"   | 35.50"    | 14.88"    | 9       | 9.25"      | 7.50"-55.50"   | 948.00 lbs |
| HW93405* | 55 Ton Shop Press | 13.00" | Elec      | 30.00" 67.50" 89.50"   | 35.50"    | 14.88"    | 9       | 9.25"      | 7.50"-55.50"   | 915.50 lbs |

\* HW93405 uses a double acting cylinder.

\*\* All our Shop Press Frames are made in U.S.A., the hydraulic units are products from Taiwan.

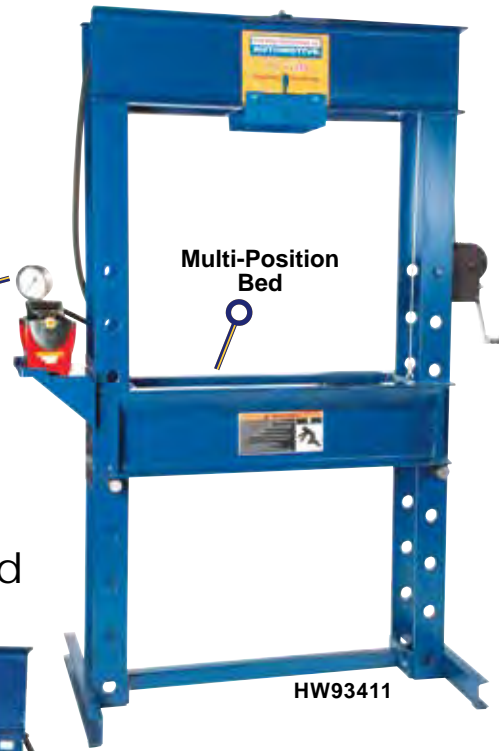
SHOP PRESSES

55 Ton Manual Hyd Rolling Head Shop Press



HW93410

55 Ton Air Hyd Rolling Head Shop Press



HW93411

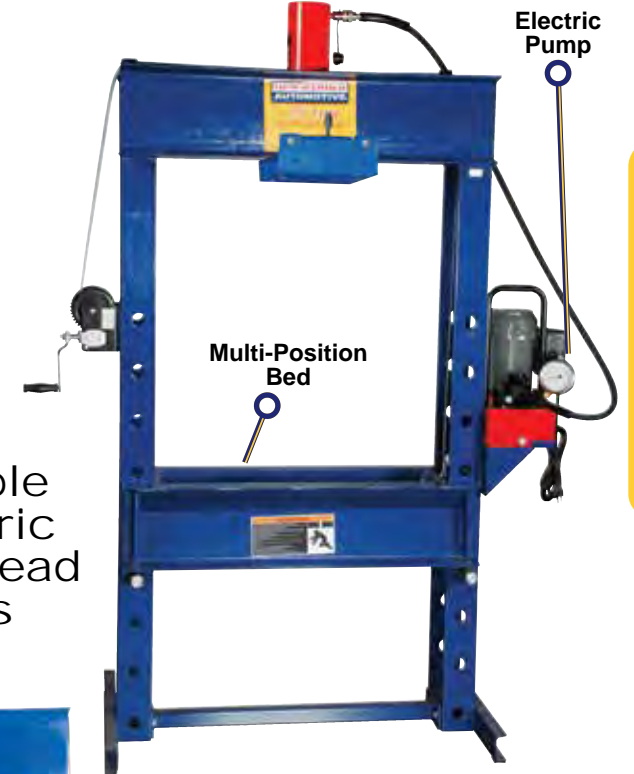
SHOP PRESSES

55 Ton Air Hyd Rolling Head Shop Press



HW93413

55 Ton Electric Hyd Rolling Head Shop Press



HW93414



4" Pressure Gauge Standard

Heavy Steel Welded Construction

55 Ton Electric Hyd Rolling Head Shop Press



HW93412

Hand Winch for Multi Position Bed

Replacement 55 Ton Arbor Plates



AP55

Industrial Grade Rams And Pumps



Heavy Steel Welded Construction



55 Ton Double Acting Electric Hyd Rolling Head Shop Press



HW93415

Multi-Position Bed

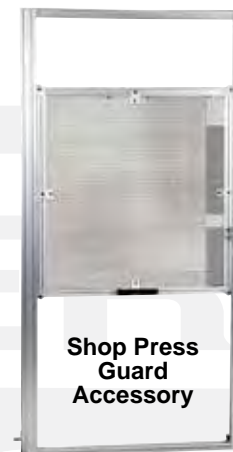
Hand Winch for Multi Position Bed

Optional Shop Press Accessories



HW93409

Shop Press Guard Accessory



HW93425

| Model   | Description                  | Stroke | Pump Type | Press Size (L x W x H) | Int. Width | Bed Depth | Bed Pos | Chan Width | Working Height | Weight       |
|---------|------------------------------|--------|-----------|------------------------|------------|-----------|---------|------------|----------------|--------------|
| HW93410 | 55 T Rolling Head Shop Press | 6.00"  | Manual    | 30.00" 60.50" 80.50"   | 35.50"     | 14.88"    | 9       | 9.25"      | 7.25"-55.50"   | 955.00 lbs   |
| HW93411 | 55 T Rolling Head Shop Press | 6.00"  | Air       | 30.00" 67.50" 80.50"   | 35.50"     | 14.88"    | 9       | 9.25"      | 7.25"-55.50"   | 950.00 lbs   |
| HW93412 | 55 T Rolling Head Shop Press | 6.00"  | Elec.     | 30.00" 67.50" 80.50"   | 35.50"     | 14.88"    | 9       | 9.25"      | 7.25"-55.50"   | 1,015.05 lbs |

\* All our Shop Press Frames are made in U.S.A., the hydraulic units are products from Taiwan.

| Model    | Description                  | Str | Pump Type | Press Size (L x W x H) | Int. Width | Bed Depth | Bed Pos | Chan Width | Working Height | Weight       |
|----------|------------------------------|-----|-----------|------------------------|------------|-----------|---------|------------|----------------|--------------|
| HW93413  | 55 T Rolling Head Shop Press | 13" | Air       | 30.00" 67.50" 87.50"   | 35.50"     | 14.88"    | 9       | 9.25"      | 7.25"-55.50"   | 991.00 lbs   |
| HW93414  | 55 T Rolling Head Shop Press | 13" | Elec.     | 30.00" 67.50" 87.50"   | 35.50"     | 14.88"    | 9       | 9.25"      | 7.25"-55.50"   | 1,048.00 lbs |
| HW93415* | 55 T Rolling Head Shop Press | 13" | Elec.     | 30.00" 67.50" 89.50"   | 35.50"     | 14.88"    | 9       | 9.25"      | 7.25"-55.50"   | 1,015.05 lbs |

\* HW93415 uses a double acting cylinder.

\*\* All our Shop Press Frames are made in U.S.A., the hydraulic units are products from Taiwan.

# SHOP PRESSES

# SHOP PRESS ACCESSORIES

100 Ton Electric Hyd Shop Press



HW93610

100 Ton Double Acting Electric Hyd Shop Press



HW93615



Shop Press Accessory Kit



HW93309

HW93409

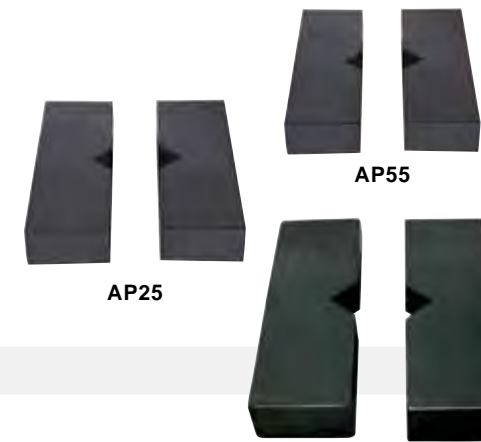
Hydraulic Oil



HW93291

HW93294

Arbor Plates



AP25

AP55

AP100

Shop Press Guards



HW93325

HW93425

HW93625

| Model   | Description                      | Stroke | Pump Type | Press Size (L x W x H) | Bed Depth | Bed Pos | Chan. Width | Working Height | Weight    |
|---------|----------------------------------|--------|-----------|------------------------|-----------|---------|-------------|----------------|-----------|
| HW93610 | 100 Ton Shop Press               | 10.00" | Electric  | 30.00" 67.50" 89.00"   | 12.00"    | 6       | 10.50"      | 12.25"-52.50"  | 1,221 lbs |
| HW93615 | 100 Ton Double Acting Shop Press | 10.00" | Electric  | 30.00" 67.50" 89.00"   | 12.00"    | 6       | 10.50"      | 12.25"-52.50"  | 1,221 lbs |

| Model   | Description                       | Additional Information          | Weight     |
|---------|-----------------------------------|---------------------------------|------------|
| HW93309 | 25 Ton Shop Press Accessories Kit | For use with 25 Ton Shop Press  | 41.00 lbs  |
| HW93409 | 55 Ton Shop Press Accessories Kit | For use with 55 Ton Shop Press  | 80.00 lbs  |
| HW93291 | Oil, Hyd Jack Premium Oil 1Qt     | -                               | 1.92 lbs   |
| HW93294 | Oil, Hyd Jack Premium Oil 1 Gal   | -                               | 7.87 lbs   |
| AP25*   | 25 Ton Arbor Plate                | For use with 25 Ton Shop Press  | 40.00 lbs  |
| AP55*   | 55 Ton Arbor Plate                | For use with 50 Ton Shop Press  | 64.00 lbs  |
| AP100*  | 100 Ton Arbor Plate               | For use with 100 Ton Shop Press | 112.00 lbs |
| HW93325 | 25 Ton Shop Press Guard           | For use with 25 Ton Shop Press  | 70.00 lbs  |
| HW93425 | 55 Ton Shop Press Guard           | For use with 50 Ton Shop Press  | 70.00 lbs  |
| HW93625 | 100 Ton Shop Press Guard          | For use with 100 Ton Shop Press | 70.00 lbs  |

\* All our Shop Press Frames are made in U.S.A., the hydraulic units are products from Taiwan.

\* Sold in pairs only

Hein-Werner Automotive



#### Chapter Table of Contents

- 78 Air Hydraulic Axle Jack
- 78 Heavy Duty Pin Style Jack Stands
- 79 Transmission Jack
- 79 Blackhawk Platinum Tool Cart

Blackhawk Automotive Platinum Series offers high end, heavy duty equipment focused on longevity and ease of use. Product line is TAA compliant with manufacturing in Taiwan. All Blackhawk Automotive Platinum Series equipment strives to adhere to current ASME/PASE safety regulations. All Blackhawk Automotive offers up to a 5 year manufacturer warranty, please see warranty section for added information.

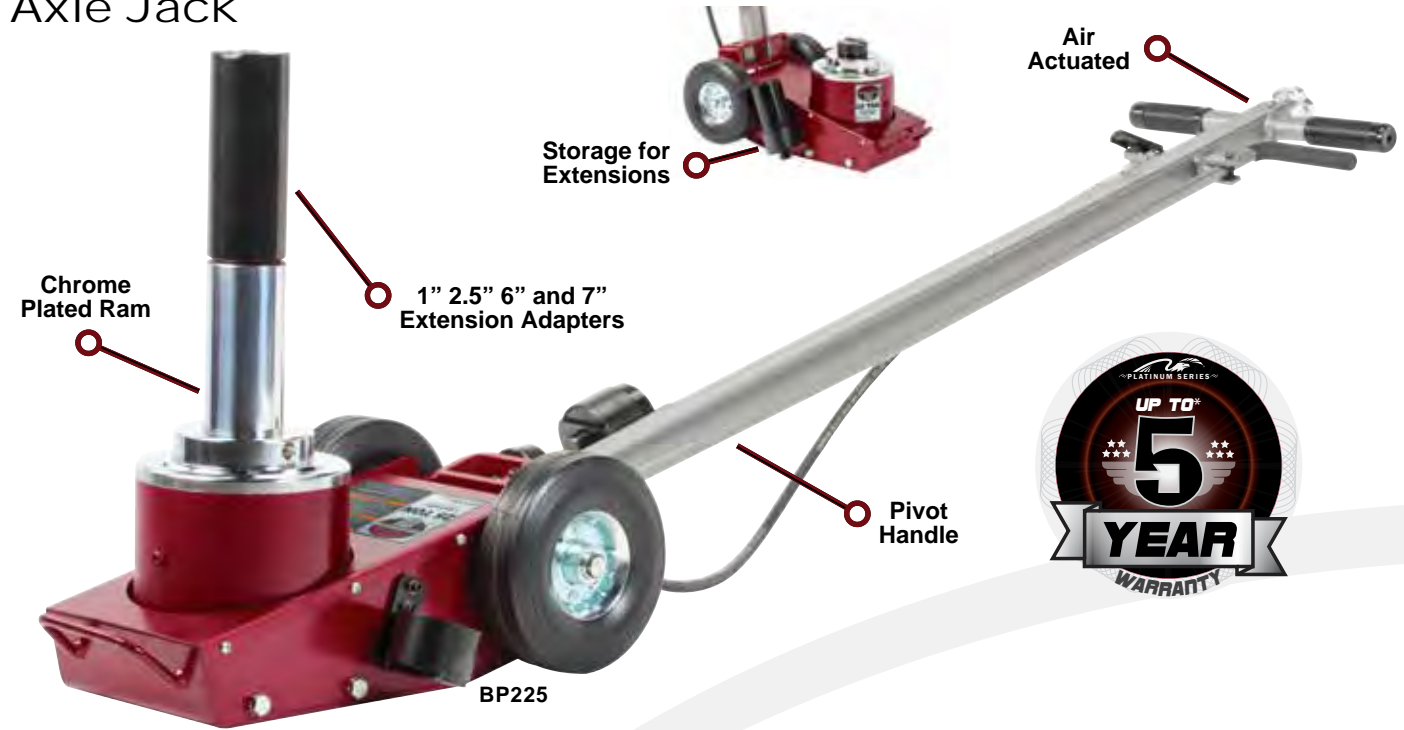
*This photo is for marketing purposes only and does not directly reflect on how products should be used. Please refer to your products Owners Manuals for suggested uses.*





# AXLE JACK & JACK STANDS

25 Ton Air/Hyd Axle Jack



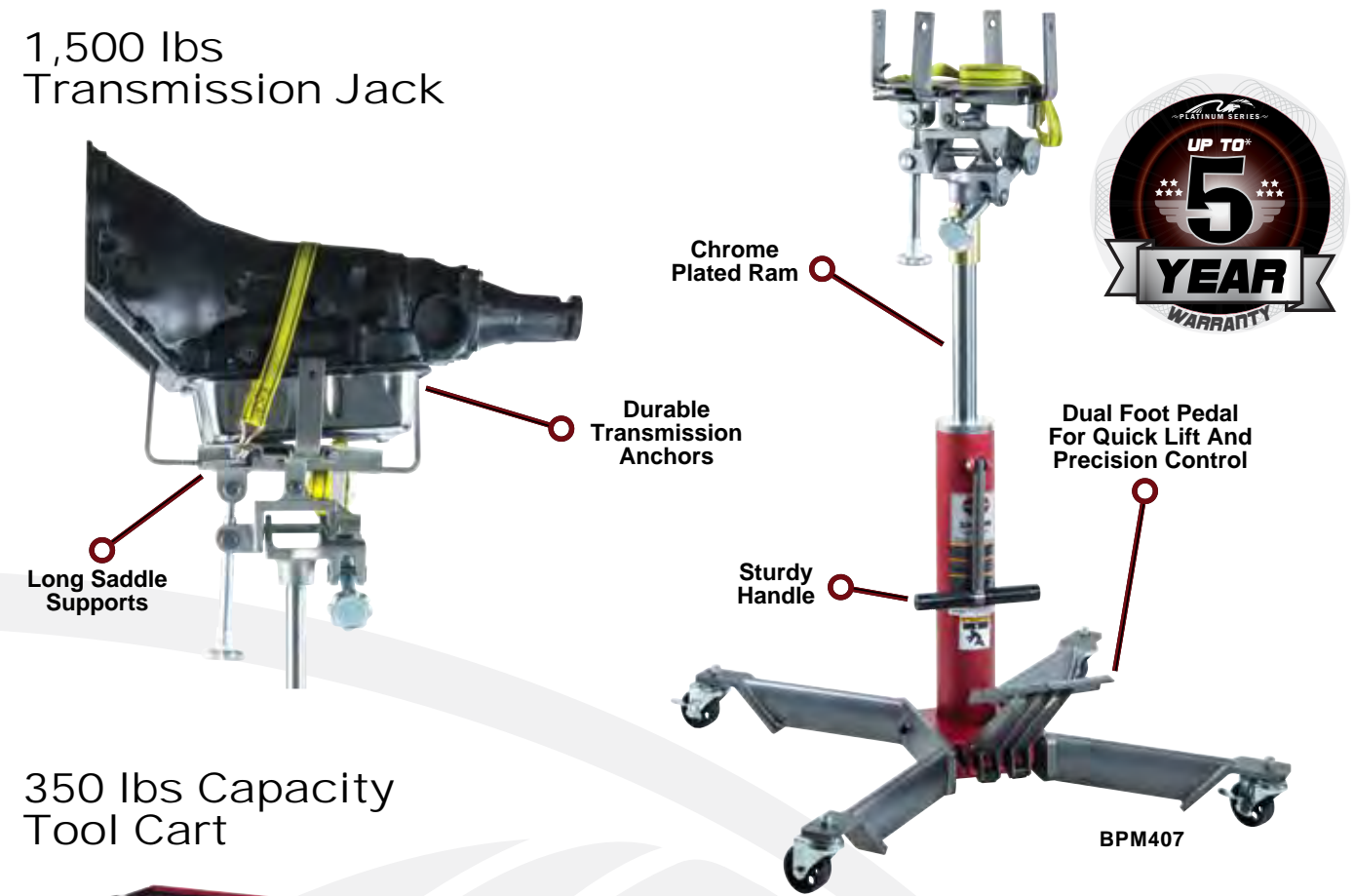
| Model | Description              | Base Size (L x W) |        | Height (Min/Max) |        | Saddle Extensions              | Weight     |
|-------|--------------------------|-------------------|--------|------------------|--------|--------------------------------|------------|
| BP225 | 25 Ton Air/Hyd Axle Jack | 22.50"            | 15.50" | 9.15"            | 22.00" | 1.00", 2.50", 6.00", and 7.00" | 152.00 lbs |
| BP330 | 30 Ton Jack Stands       | 10.00"            | 10.00" | 12.25"           | 20.25" | -                              | 133.00 lbs |

\* Rated capacity for jack stands are rated to be used in matching pairs.



# TRANSMISSION JACK & TOOL CART

1,500 lbs Transmission Jack



350 lbs Capacity Tool Cart



| Model      | Description                 | Base Size (L x W) |        | Height (Min/Max) |        | Weight     |
|------------|-----------------------------|-------------------|--------|------------------|--------|------------|
| BPM407     | 1,500 lbs Transmission Jack | 35.00"            | 35.00" | 38.75"           | 75.75" | 172.00 lbs |
| BPTOOLCART | 350 lbs Capacity Tool Cart  | -                 | -      | -                | -      | 67.10 lbs  |

\* Please visit page 128-129 for more information on the up to 5 year warranty. BPTOOLCART does not come with a 5 year warranty.

Blackhawk Automotive Platinum Series





# Blackhawk Automotive™

## Chapter Table of Contents

|    |  |       |                             |
|----|--|-------|-----------------------------|
| 82 | Fast Lift Service Jacks                  | 89    | Air Hydraulic Bottle Jacks  |
| 82 | Low Profile Fast Lift Service Jacks      | 89    | Long Jacks                  |
| 82 | Fast Lift Service Jack/Jack Stands Combo | 90    | Shop Press                  |
| 83 | Long Chassis Service Jacks               | 91    | Engine Crane                |
| 83 | Fast Lift Long Chassis Service Jacks     | 92-93 | Transmission Jacks          |
| 84 | Air Hydraulic Axle Jacks                 | 93    | Fuel Tank Adapter           |
| 85 | Truck Ramps                              | 93    | Floor Transmission Jacks    |
| 85 | Wheel Dolly                              | 94    | Under Hoist                 |
| 86 | Standard Ratchet Jack Stands             | 94    | High Reach Supplement Stand |
| 86 | Fast Lift Jack Stands                    | 95    | Engine Stand                |
| 87 | High Life Jack Stands                    | 95    | Clutch Jack                 |
| 87 | Forklift Jack Stands                     |       |                             |
| 87 | High Tonnage Pin Style Jack Stands       |       |                             |
| 88 | Manual Bottle Jacks                      |       |                             |
| 88 | Manual Shorty Bottle Jacks               |       |                             |
| 89 | Air Hydraulic Spring Return Bottle Jack  |       |                             |

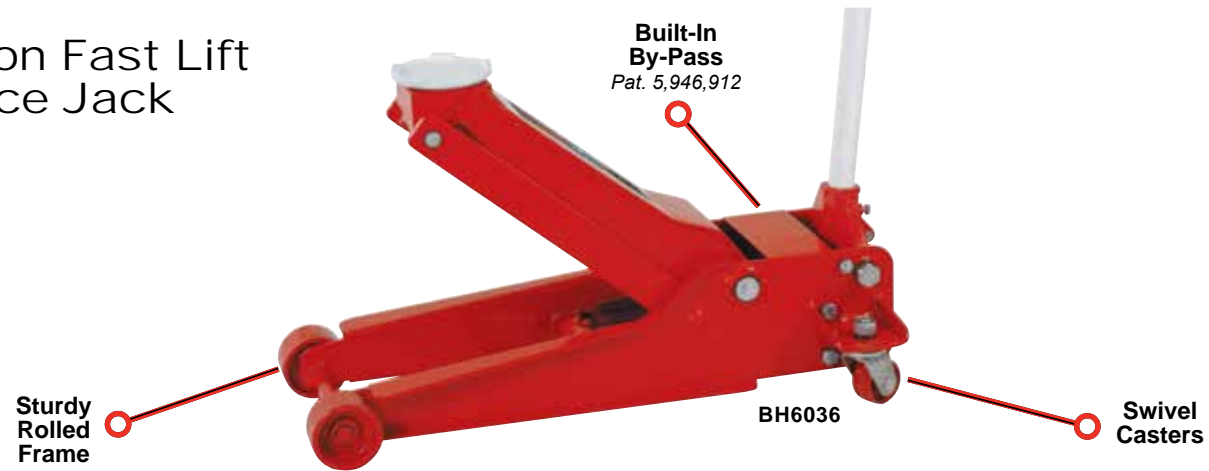
Blackhawk Automotive offers alternative options of an import line of commercial quality lifting and shop equipment. The equipment is designed with patented, unique features and offers ease of usability and durability. With current ASME/PASE safety standards in mind when creating these products Blackhawk Automotive offers Affordable, Dependable, Quality product to the commercial market place. All Blackhawk Automotive offers a one year manufacturer warranty, please see warranty section for added information.

This photo is for marketing purposes only and does not directly reflect on how products should be used. Please refer to your products Owners Manuals for suggested uses.



## SERVICE JACKS

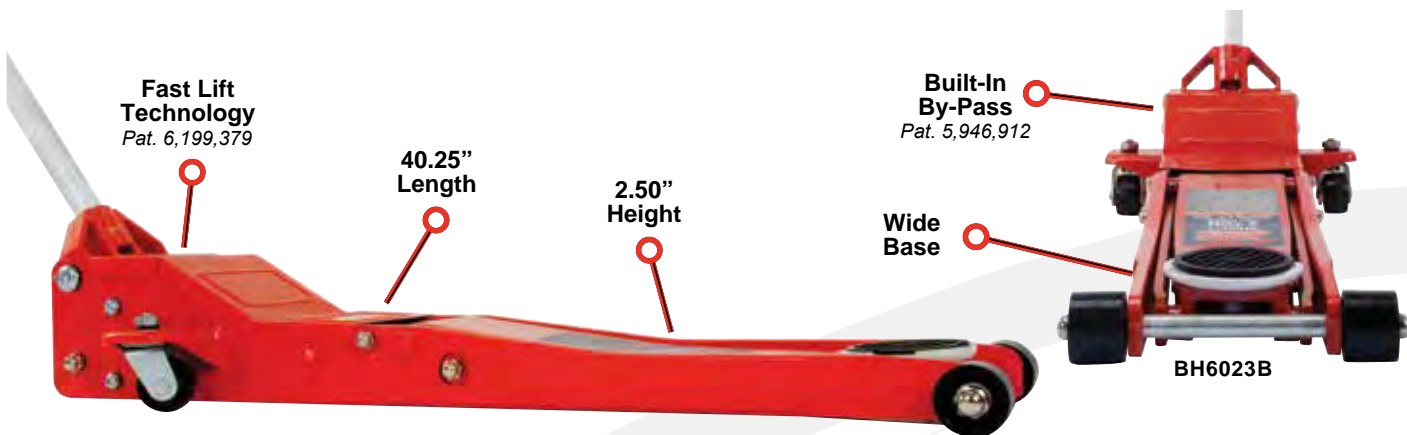
3.5 Ton Fast Lift Service Jack



3 Ton Fast Lift Service Jack with Jack Stands Combo



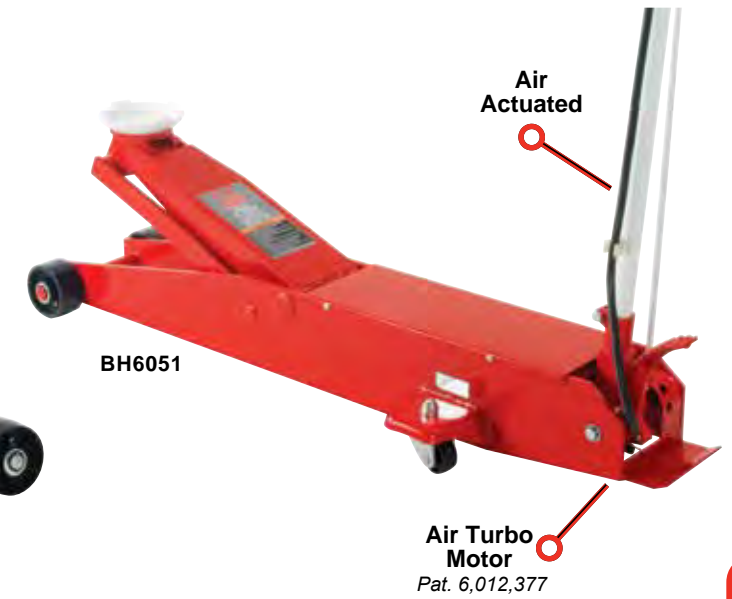
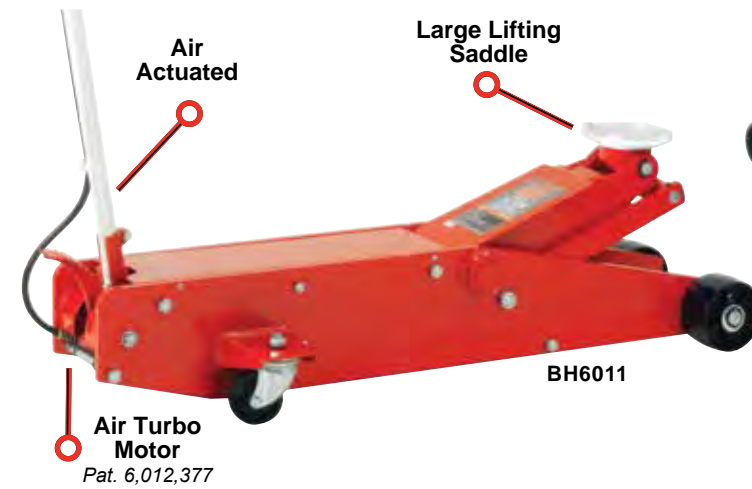
2 Ton Low Profile Fast Lift Service Jack



| Model   | Description                              | Base Size (L x W) |        | Height (Min/Max) |        | Saddle Dia    | Weight     |
|---------|--|-------------------|--------|------------------|--------|---------------|------------|
| BH6036  | 3.5 Ton Fast Lift Service Jack           | 30.75"            | 14.88" | 4.00"            | 21.50" | 4.75"         | 109.00 lbs |
| BH6023B | 2 Ton Low Profile Fast Lift Service Jack | 40.25"            | 13.75" | 2.50"            | 20.00" | 5.00"         | 115.00 lbs |
| BH6033  | 3 Ton Jack                               | 23.50"            | 13.38" | 5.25"            | 19.50" | 4.50"         | 89.80 lbs  |
|         | 3 Ton Jack Stands                        | 6.75"             | 7.75"  | 11.75"           | 17.00" | 3.50" x 1.50" |            |

## LONG CHASSIS SERVICE JACKS

5-10 Ton Air/Hyd Fast Lift Long Chassis Jacks



Foot pump for a fast lift to lift point\*

5-10 Ton Long Chassis Jacks



| Model  | Description                      | Base Size (L x W) |        | Height (Min/Max) |        | Saddle Dia | Handle Length | Weight     |
|--------|----------------------------------|-------------------|--------|------------------|--------|------------|---------------|------------|
| BH6051 | 5 Ton Air/Hyd Long Chassis Jack  | 57.00"            | 19.00" | 7.00"            | 27.00" | 6.00"      | 47.25"        | 244.00 lbs |
| BH6011 | 10 Ton Air/Hyd Long Chassis Jack | 55.00"            | 19.00" | 6.75"            | 27.00" | 7.33"      | 47.25"        | 430.00 lbs |
| BH6057 | 5 Ton Long Chassis Jack          | 52.00"            | 17.13" | 6.25"            | 21.00" | 6.50"      | 40.00"        | 199.50 lbs |
| BH6107 | 10 Ton Long Chassis Jack         | 51.50"            | 18.50" | 7.00"            | 26.25" | 5.88"      | 46.00"        | 299.00 lbs |

\* The foot pedal is designed for no load lifting. Once the saddle has reached the lift point, lifting by the handle is required for safe lifting.

\* Except BH6023B

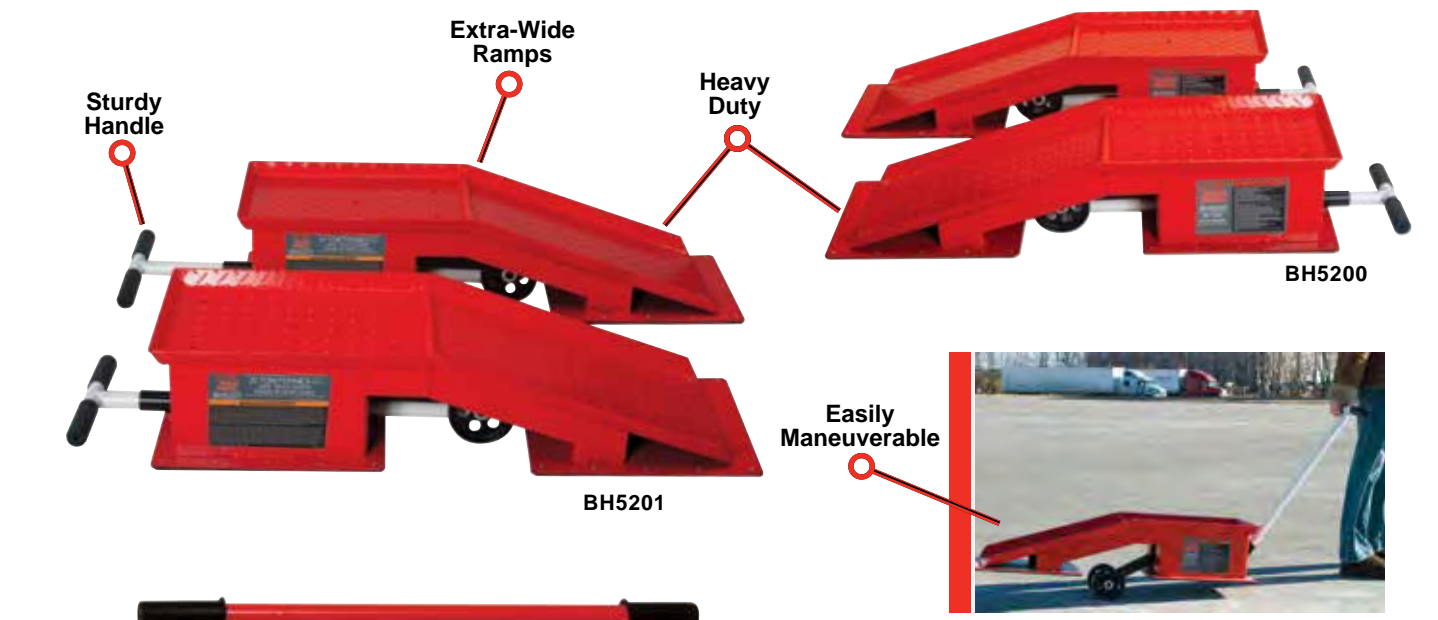
# AXLE JACKS

## 22-30 Ton Air/Hyd Axle Jack

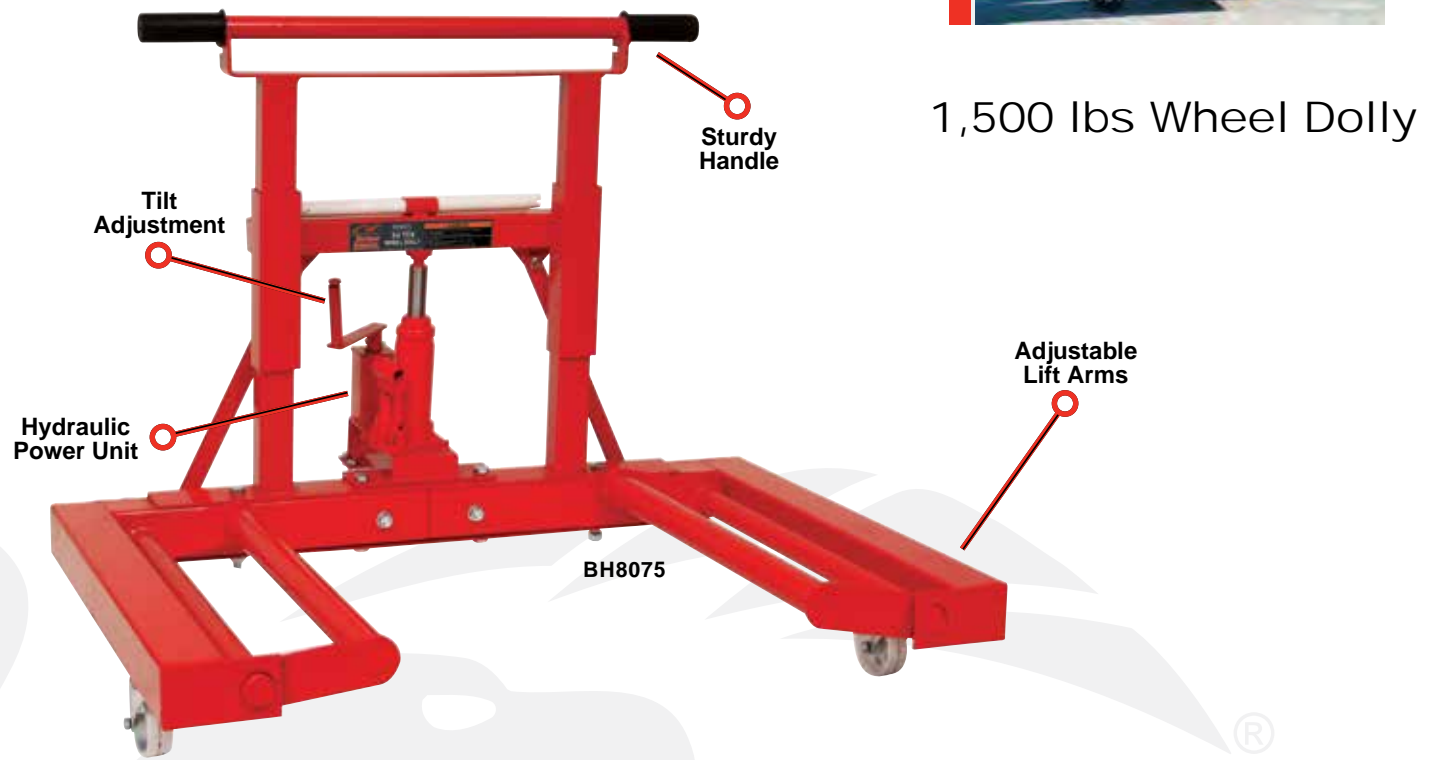


# RAMPS & WHEEL DOLLY

## 20 Ton Truck Ramps



## 1,500 lbs Wheel Dolly



| Model   | Description              | Base Size (L x W) |        | Height (Min/Max) |        | Extension Screw | Handle Length | Weight    |
|---------|--------------------------|-------------------|--------|------------------|--------|-----------------|---------------|-----------|
| BH6221  | 22 Ton Air/Hyd Axle Jack | 21.50"            | 13.00" | 10.00"           | 19.25" | 3.87"           | 47.38"        | 96.00 lbs |
| BH6222  | 22 Ton Air/Hyd Axle Jack | 21.50"            | 12.50" | 8.50"            | 22.00" | 3.87"           | 40.88"        | 97.00 lbs |
| BH6301* | 30 Ton Air/Hyd Axle Jack | 20.50"            | 12.50" | 11.25"           | 18.25" | -               | 40.88"        | 95.50 lbs |

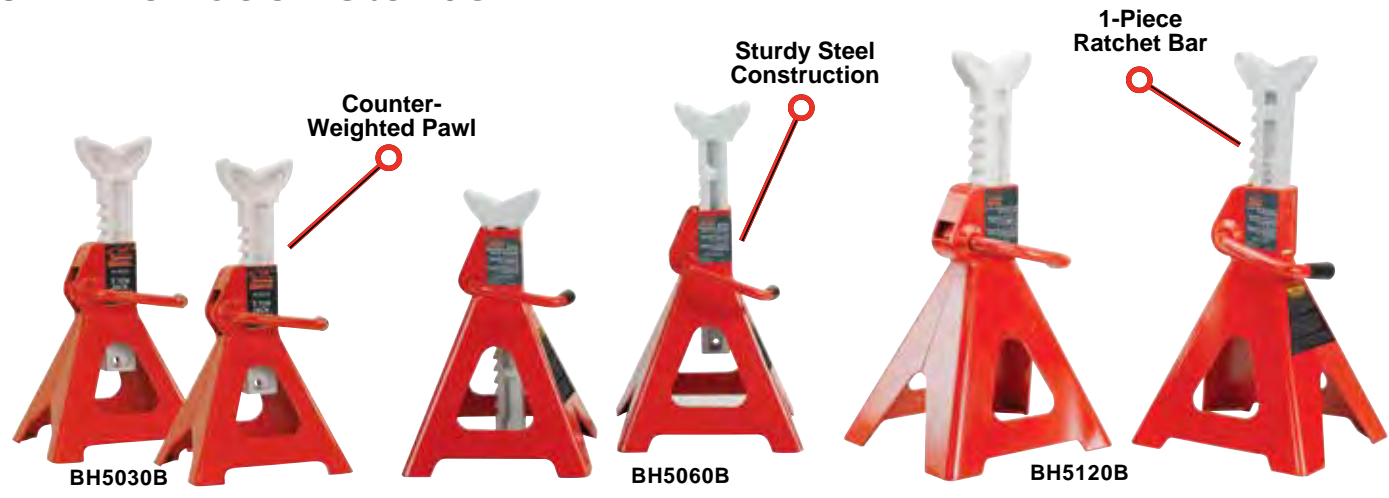
\* The BH6301 does not come with any adapter.

| Model  | Description             | Tilt Range | Lift Range  | Size (L x W x H) |        |        | Handle Length | Max Tire Width | Weight     |
|--------|-------------------------|------------|-------------|------------------|--------|--------|---------------|----------------|------------|
| BH5200 | 20 Ton Truck Ramps      | -          | -           | 45.63"           | 13.50" | 9.25"  | 33.50"        | 10.75"         | 267.00 lbs |
| BH5201 | 20 Ton Wide Truck Ramps | -          | -           | 45.63"           | 18.25" | 9.25"  | 33.50"        | 15.50"         | 334.00 lbs |
| BH8075 | 1,500 lbs Wheel Dolly   | -2° to 5°  | 2.25" - 11" | 43.50"           | 43.00" | 35.00" | -             | -              | 160.00 lbs |

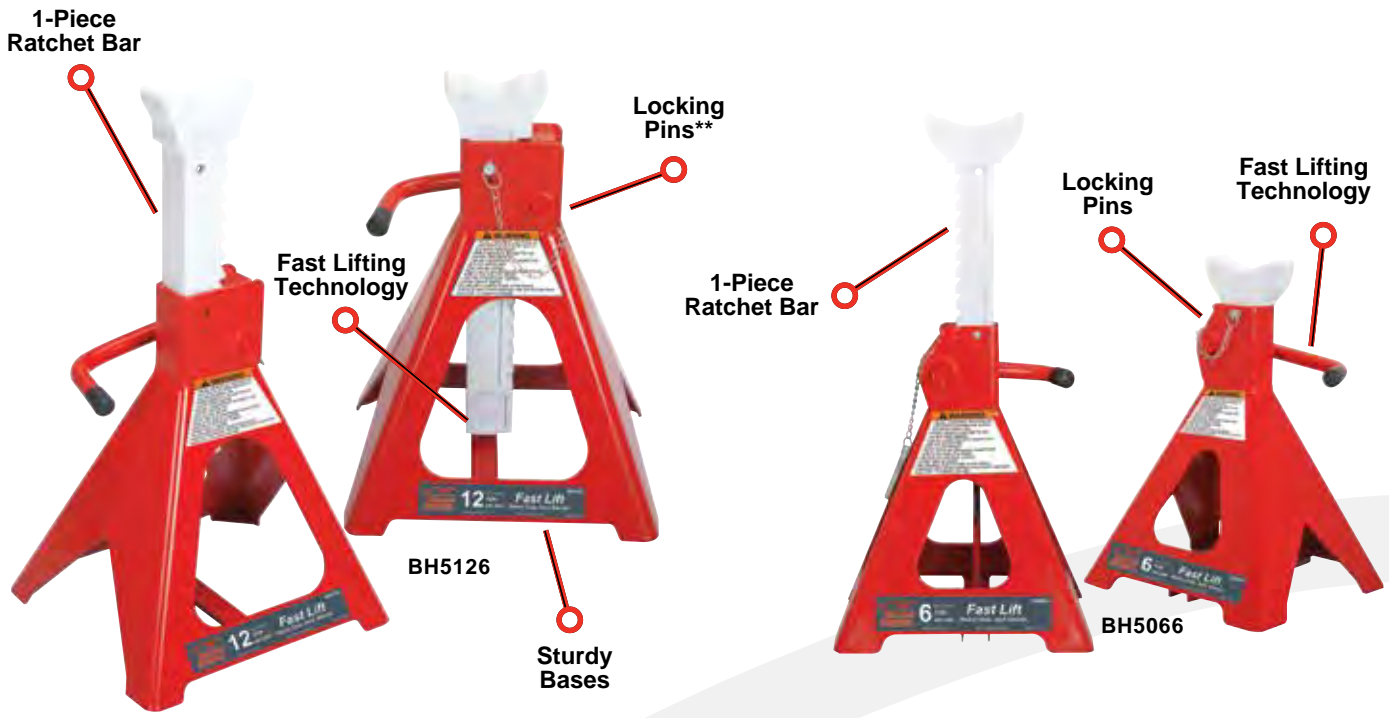
# JACK STANDS

# PIN STYLE JACK STANDS

## 3-12 Ton Jack Stands



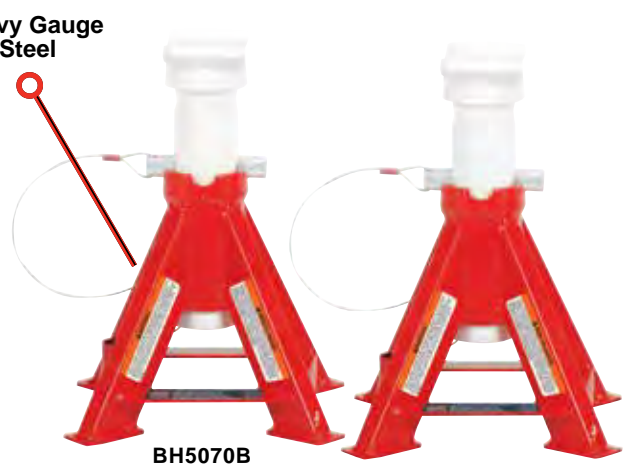
## 6-12 Ton Fast Lift Jack Stands



## High Lift Jack Stands



## Forklift Jack Stands



## 22 Ton High Tonnage Pin Jack Stands



| Model   | Description                  | Base Size (L x W) |        | Height (Min/Max) |        | Saddle Size (L x W) |       | Weight    |
|---------|------------------------------|-------------------|--------|------------------|--------|---------------------|-------|-----------|
| BH5030B | 3 Ton Jack Stands            | 6.75"             | 7.75"  | 11.70"           | 17.25" | 3.50"               | 1.50" | 15.50 lbs |
| BH5060B | 6 Ton Jack Stands            | 9.50"             | 10.63" | 15.50"           | 24.38" | 4.00"               | 1.25" | 31.20 lbs |
| BH5120B | 12 Ton Jack Stands           | 12.00"            | 11.00" | 17.75"           | 27.50" | 4.63"               | 1.50" | 58.00 lbs |
| BH5066  | 6 Ton Fast Lift Jack Stands  | 11.00"            | 10.00" | 15.75"           | 25.00" | 4.25"               | 1.25" | 33.51 lbs |
| BH5126  | 12 Ton Fast Lift Jack Stands | 14.75"            | 12.75" | 19.88"           | 30.25" | 4.50"               | 1.80" | 77.16 lbs |

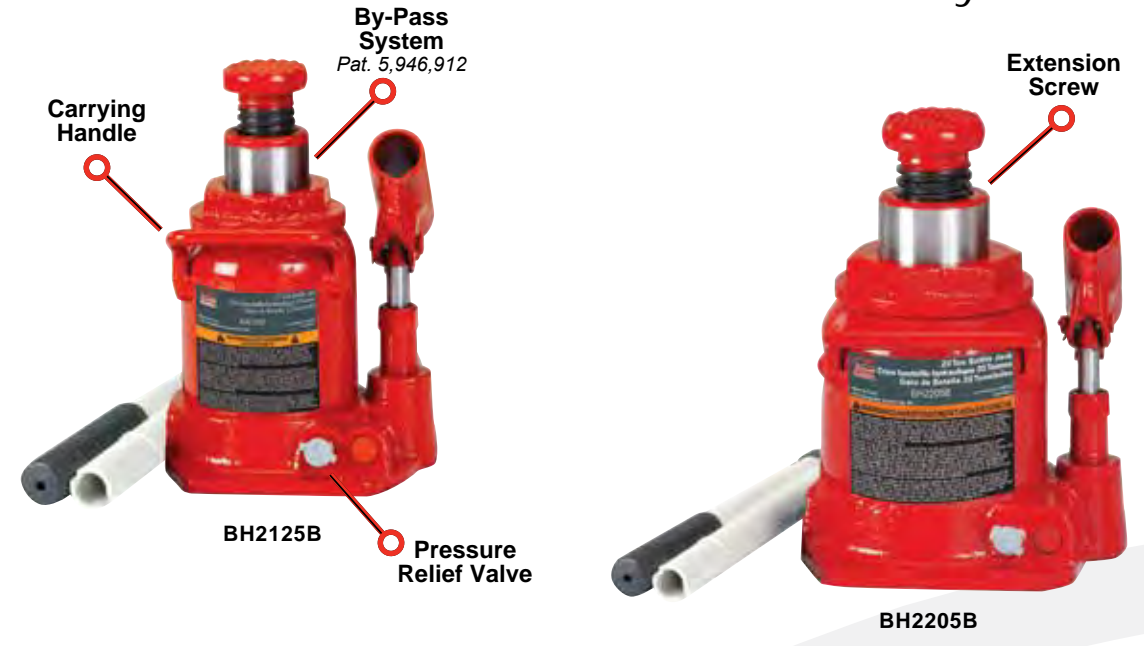
| Model   | Description                     | Base Size (L x W) |        | Height (Min/Max) |        | Saddle Size (L x W) |       | Weight     |
|---------|---------------------------------|-------------------|--------|------------------|--------|---------------------|-------|------------|
| BH5010B | 10 Ton High Lift Jack Stands    | 16.38"            | 16.38" | 28.00"           | 47.63" | 3.38"               | 5.00" | 109.20 lbs |
| BH5070B | 7 Ton Forklift Jack Stands      | 8.50"             | 8.50"  | 9.50"            | 14.13" | 3.50"               | 2.38" | 21.90 lbs  |
| BH5220B | 22 Ton High-Tonnage Jack Stands | 9.75"             | 9.75"  | 12.00"           | 19.88" | 3.13"               | 2.75" | 64.90 lbs  |

# MANUAL BOTTLE JACKS

## 4-30 Ton Bottle Jacks



## 12-20 Ton Shorty Bottle Jacks



# AIR/MANUAL BOTTLE JACKS & LONG JACKS

## 20-50 Ton Air/Hyd Bottle Jacks



## 1.5-8 Ton Long Jacks



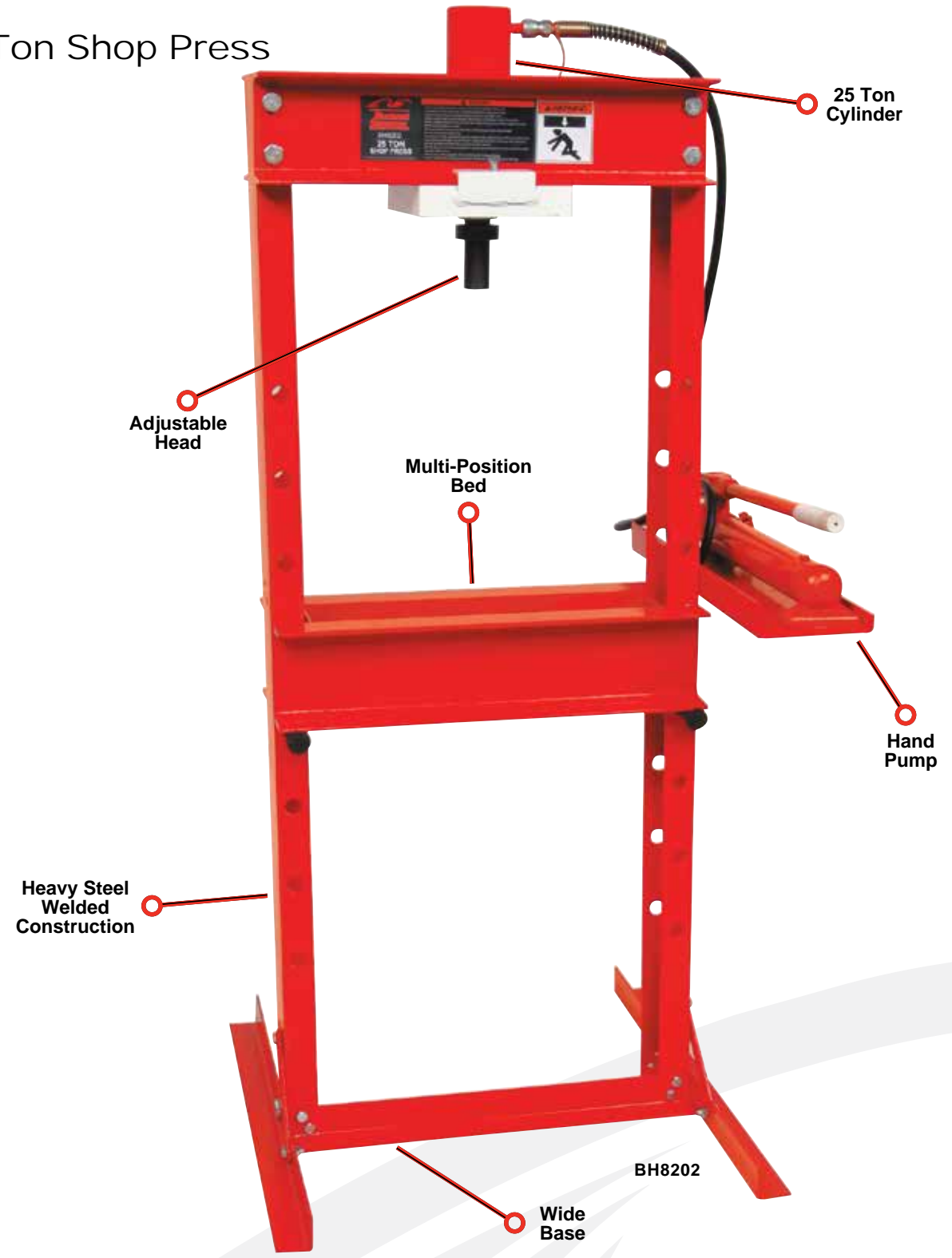
| Model   | Description               | Base Size (L x W) |       | Height (Min/Max) |        | Extension Screw | Weight    |
|---------|---------------------------|-------------------|-------|------------------|--------|-----------------|-----------|
| BH2040B | 4 Ton Bottle Jack         | 4.25"             | 3.88" | 8.25"            | 15.75" | 2.38"           | 9.27 lbs  |
| BH2060B | 6 Ton Bottle Jack         | 4.50"             | 4.00" | 8.50"            | 17.25" | 3.13"           | 11.62 lbs |
| BH2080B | 8 Ton Bottle Jack         | 4.75"             | 4.63" | 9.00"            | 17.63" | 2.75"           | 12.87 lbs |
| BH2120B | 12 Ton Bottle Jack        | 6.00"             | 5.38" | 9.50"            | 18.63" | 3.13"           | 18.14 lbs |
| BH2200B | 20 Ton Bottle Jack        | 6.38"             | 5.88" | 9.75"            | 18.88" | 3.88"           | 27.75 lbs |
| BH2300  | 30 Ton Bottle Jack        | 8.13"             | 6.88" | 11.00"           | 18.00" | -               | 55.00 lbs |
| BH2125B | 12 Ton Shorty Bottle Jack | 6.00"             | 5.38" | 6.25"            | 11.13" | 1.63"           | 13.75 lbs |
| BH2205B | 20 Ton Shorty Bottle Jack | 6.38"             | 5.88" | 6.50"            | 11.50" | 1.75"           | 21.00 lbs |

| Model  | Description                | Base Size (L x W) |       | Height (Min/Max) |        | Ext Screw | Weight     |
|--------|----------------------------|-------------------|-------|------------------|--------|-----------|------------|
| BH2219 | 20 Ton Air/Hyd Bottle Jack | 9.00"             | 6.75" | 9.63"            | 18.88" | 6.00"     | 38.50 lbs  |
| BH2308 | 30 Ton Air/Hyd Bottle Jack | 10.25"            | 8.25" | 11.00"           | 18.13" | -         | 63.00 lbs  |
| BH2500 | 50 Ton Air/Hyd Bottle Jack | 10.88"            | 7.38" | 12.00"           | 19.00" | -         | 135.00 lbs |
| BH2015 | 1.5 Ton Hyd Long Jack      | 5.13"             | 4.50" | 19.88"           | 35.25" | -         | 17.50 lbs  |
| BH2035 | 3 Ton Hyd Long Jack        | 5.13"             | 4.50" | 19.88"           | 35.25" | -         | 15.50 lbs  |
| BH2045 | 4 Ton Hyd Long Jack        | 5.13"             | 4.50" | 19.88"           | 35.25" | -         | 17.50 lbs  |
| BH2085 | 8 Ton Hyd Long Jack        | 5.00"             | 4.75" | 24.13"           | 43.25" | -         | 29.50 lbs  |
| BH2081 | 8 Ton Air/Hyd Long Jack    | 7.13"             | 5.00" | 24.13"           | 43.25" | -         | 38.00 lbs  |

\*Except all Long Jacks

# SHOP PRESS

25 Ton Shop Press



| Model  | Description       | Frame Size (L x W x H) |        |        | Working Space (Min/Max) |        | Ram Stroke | Bed Position | Weight     |
|--------|-------------------|------------------------|--------|--------|-------------------------|--------|------------|--------------|------------|
| BH8202 | 25 Ton Shop Press | 28.00"                 | 31.00" | 62.00" | 2.50"                   | 34.25" | 6.00"      | 8            | 236.00 lbs |

# ENGINE CRANE

2 Ton Foldable Engine Crane



| Model  | Description                 | Boom Capacity | Boom Length | Hook Height (Min/Max) |        | Base (Length/Front/Rear) |        |        | Weight     |
|--------|-----------------------------|---------------|-------------|-----------------------|--------|--------------------------|--------|--------|------------|
| BH8026 | 2 Ton Foldable Engine Crane | 2 Ton         | 48.63"      | 0.00"                 | 59.25" | 78.50"                   | 37.88" | 30.38" | 253.00 lbs |
|        |                             | 1.5 Ton       | 55.63"      | 0.00"                 | 63.00" |                          |        |        |            |
|        |                             | 1 Ton         | 62.88"      | 0.00"                 | 66.63" |                          |        |        |            |
|        |                             | .5 Ton        | 69.88"      | 0.00"                 | 70.50" |                          |        |        |            |

# TRANSMISSION JACKS

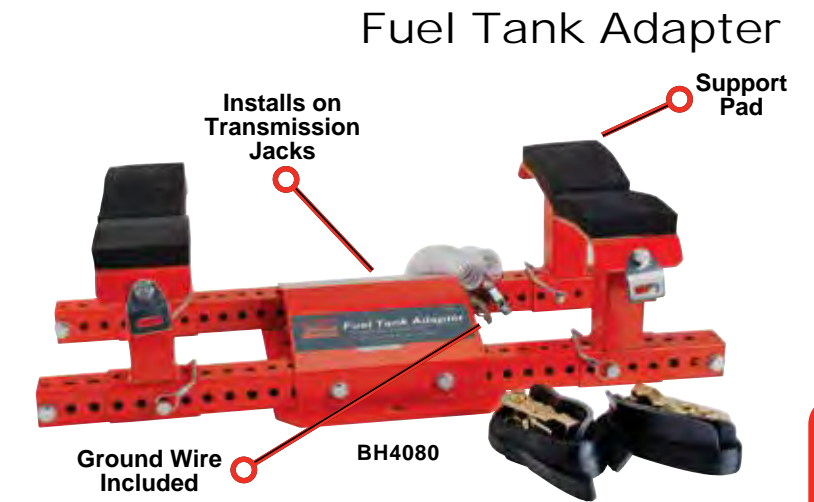
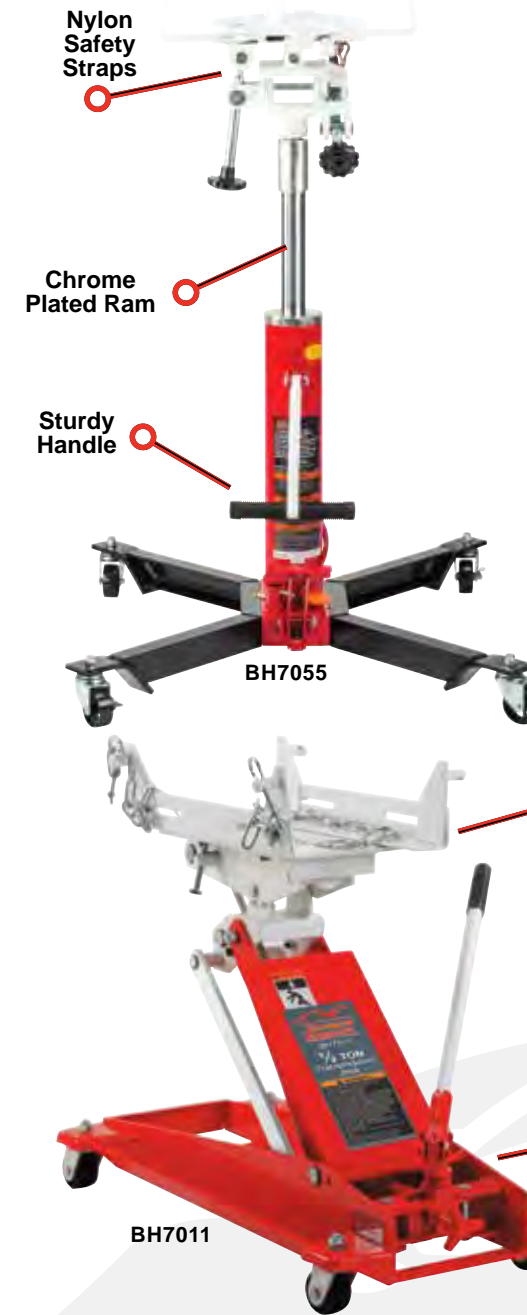
## 700-2,000 lbs Telescopic Transmission Jacks



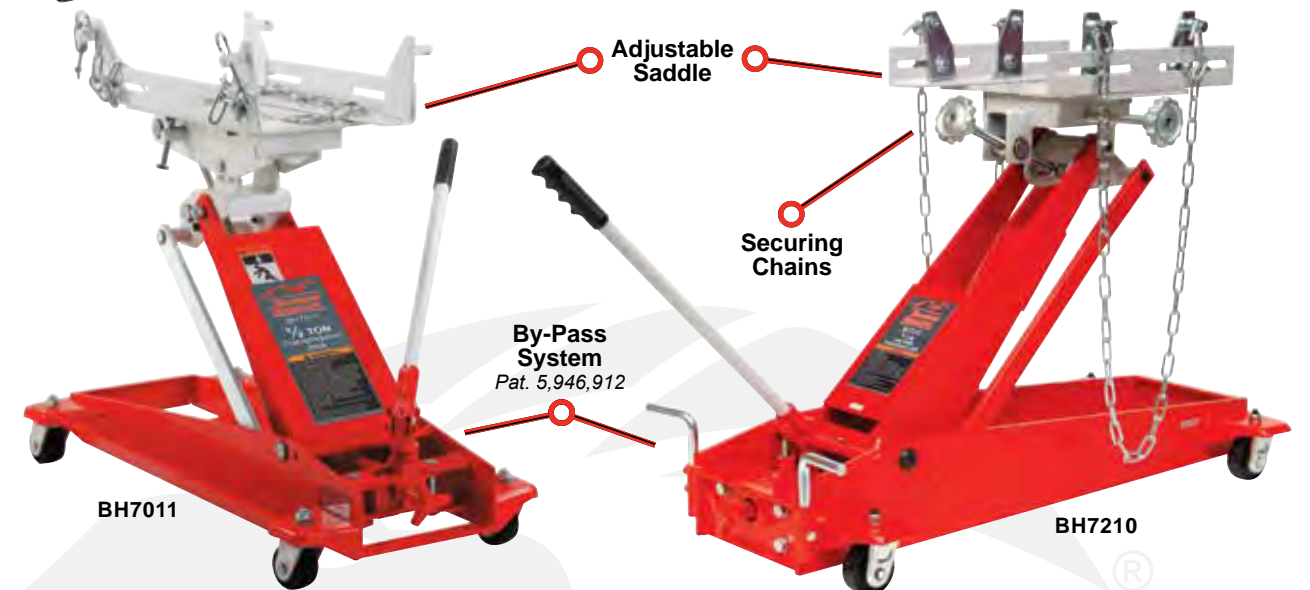
| Model  | Description                            | Size (L x W) |        | Height (Min/Max) |        | Exp Saddle Area (Min/Max) |                 | Weight     |
|--------|--|--------------|--------|------------------|--------|---------------------------|-----------------|------------|
| BH7000 | 700 lbs Extended Transmission Jack     | 36.13"       | 32.63" | 57.25"           | 76.38" | 9.88" x 9.88"             | 18.88" x 18.88" | 141.00 lbs |
| BH7051 | 1,000 lbs Telescopic Transmission Jack | 33.13"       | 35.50" | 39.88"           | 77.25" | 11.50" x 11.50"           | 21.00" x 21.00" | 178.20 lbs |
| BH7101 | 1 Ton Telescopic Transmission Jack     | 42.50"       | 39.50" | 48.63"           | 77.38" | 15.50" x 12.63"           | 24.50" x 18.88" | 226.60 lbs |

# TRANSMISSION JACKS

## 1,000 lbs Air/Manual Telescopic Transmission Jacks



## 1,100-2,000 lbs Low Profile Transmission Jack

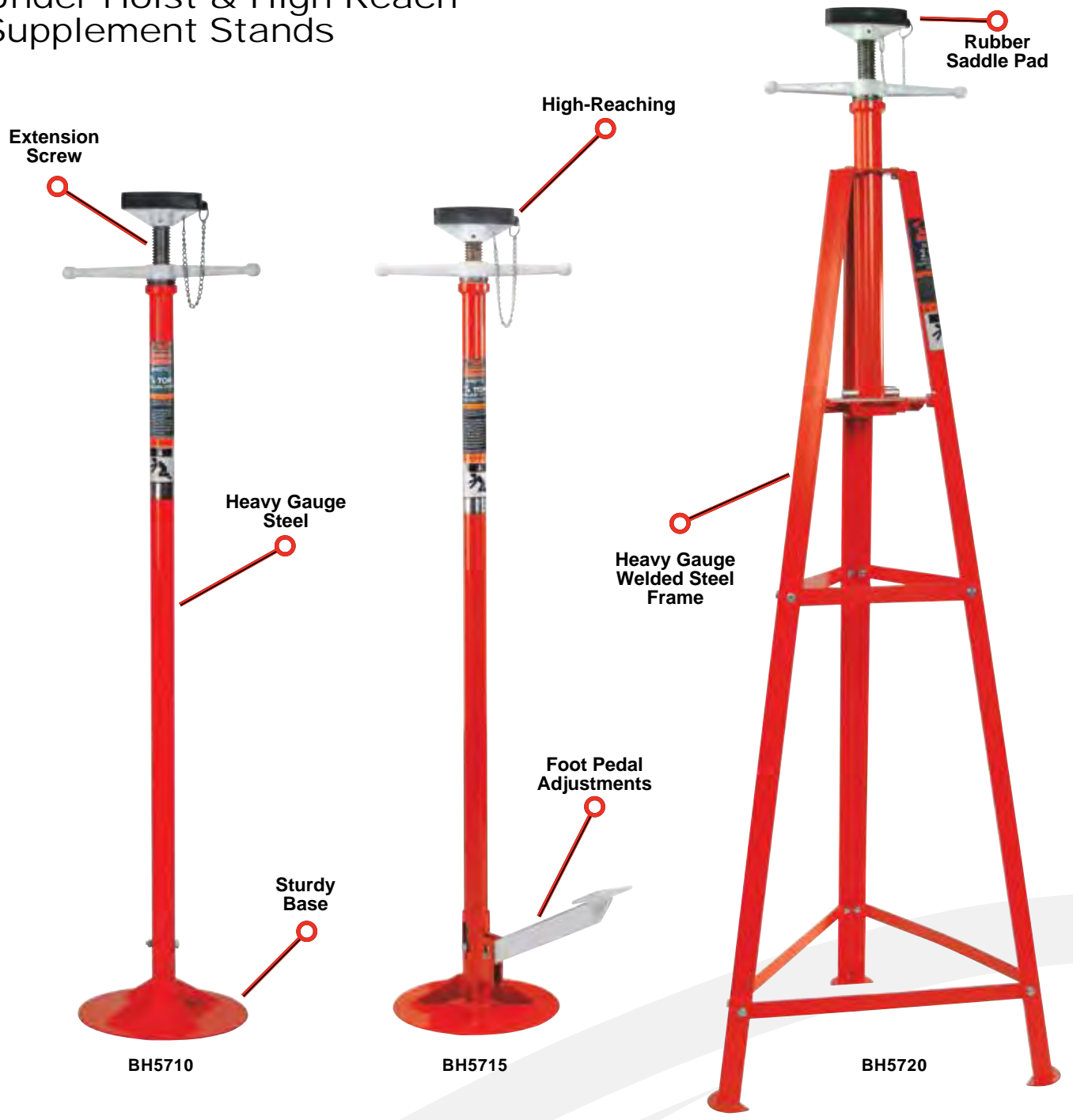


| Model  | Description                             | Size (L x W) |        | Height (Min/Max)               |        | Exp Saddle Area (Min/Max) |                 | Weight     |
|--------|---|--------------|--------|--------------------------------|--------|---------------------------|-----------------|------------|
| BH7055 | 1,000 lbs Air/Hyd Transmission Jack     | 33.13"       | 35.50" | 39.88"                         | 77.25" | 11.50" x 11.50"           | 21.00" x 21.00" | 195.80 lbs |
| BH4080 | Fuel Tank Adapter                       | 32.00"       | 15.00" | Installs on Transmission Jacks |        |                           |                 | 53.00 lbs  |
| BH7011 | 1,100 lbs Low Profile Transmission Jack | 31.00"       | 15.00" | 8.50"                          | 24.75" | 12.63" x 7.88"            | 17.00" x 9.38"  | 102.00 lbs |
| BH7210 | 1 Ton Low Profile Transmission Jack     | 40.38"       | 19.13" | 7.88"                          | 33.50" | 14.25" x 7.88"            | 17.00" x 15.50" | 197.40 lbs |

\* Except BH4080

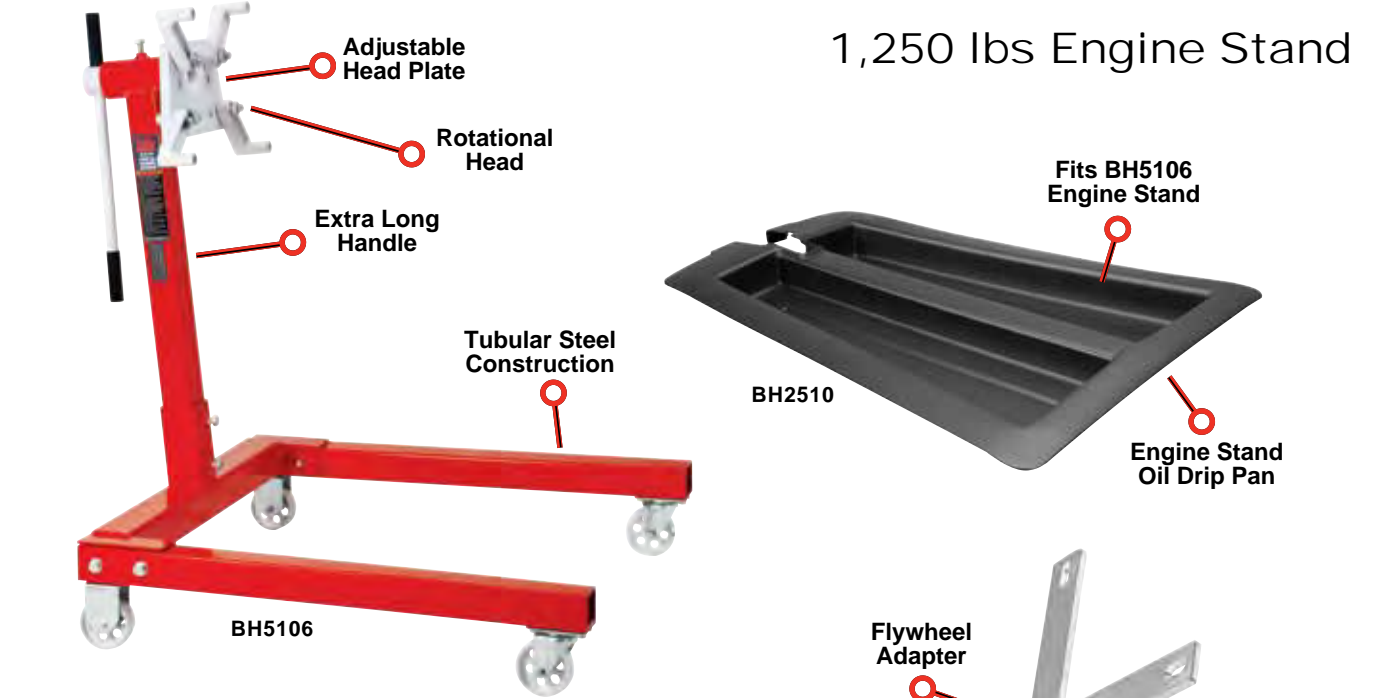
# UNDER HOIST & SUPPLEMENT STANDS

## Under Hoist & High Reach Supplement Stands

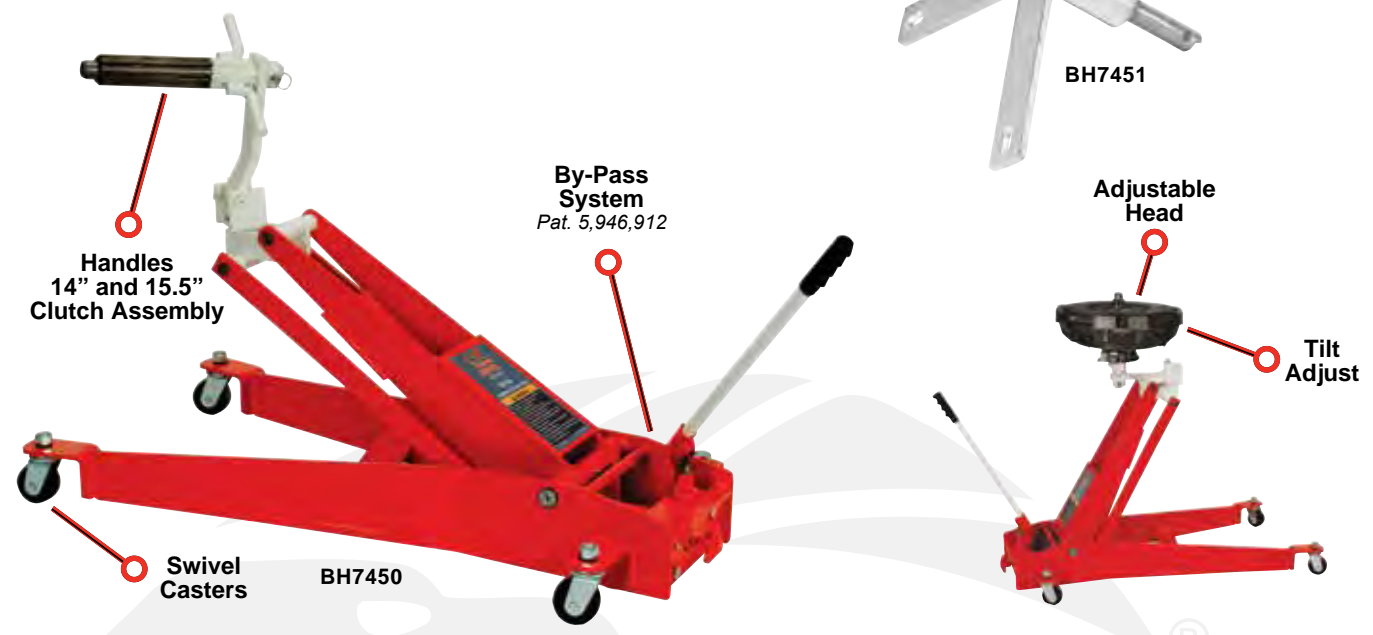


| Model  | Description                              | Size (L x W) |        | Height (Min/Max) |        | Saddle Size   | Weight    |
|--------|--|--------------|--------|------------------|--------|---------------|-----------|
| BH5710 | 1,500 lbs Under Hoist Stand              | 12.00"       | 12.00" | 55.00"           | 80.00" | 5.25" x 1.50" | 31.00 lbs |
| BH5715 | 1,500 lbs Ton Under Hoist Stand w/ Pedal | 12.00"       | 12.00" | 55.00"           | 80.00" | 5.25" x 1.50" | 35.00 lbs |
| BH5720 | 2 Ton High Reach Supplement Stand        | 23.00"       | 18.00" | 66.50"           | 75.75" | 5.25" x 1.50" | 46.00 lbs |

# ENGINE STAND, CLUTCH JACK & ACC



## 500 lbs Clutch Jack



| Model  | Description               | Size (L x W x H)           |        |        | Height (Max) | Head Plate                     | Handle Length | Weight     |
|--------|---------------------------|----------------------------|--------|--------|--------------|--------------------------------|---------------|------------|
| BH5106 | 1,250 lbs Engine Stand    | 33.38"                     | 33.88" | 42.75" | -            | 7.50" x 6.50" x 0.75" x 10.50" | 20.25"        | 85.50 lbs  |
| BH2510 | Oil Drain Pan W/Strap Kit | For use with engine stands |        |        |              |                                | -             | 4.00 lbs   |
| BH7450 | 500 lbs Clutch Jack       | 44.50"                     | 22.50" | 16.50" | 42.00"       | -                              | -             | 160.00 lbs |
| BH7451 | 250 lbs Flywheel Adapter  | 17.50"                     | 17.50" | 4.38"  | -            | For use with clutch jacks      |               | 12.10 lbs  |





#### Chapter Table of Contents

- 98 Fast Lift Service Jack
- 98 Service Jack
- 99 Service Jack/Jack Stand Combo
- 99 Foldable Z-Creeper

**Banner by Blackhawk Automotive offers safe, cost effective alternatives for commercial and/or home users. All Banner equipment meets ASME/PACE 2014 safety regulations. All Banner equipment offers a one year manufacturer warranty; please see warranty section for added information.**

*This photo is for marketing purposes only and does not directly reflect on how products should be used. Please refer to your products Owners Manuals for suggested uses.*



## SERVICE JACKS

### 3.5 Ton Fast Lift Service Jack



### 3 Ton Service Jack



## JACK COMBO & SHOP CREEPER

### 3 Ton Jack/Stand Combo



### Foldable Z-Creeper



| Model | Description                    | Handle Length | Saddle Diameter | Height (Min/Max) | Weight    |
|-------|--------------------------------|---------------|-----------------|------------------|-----------|
| B6350 | 3.5 Ton Fast Lift Service Jack | 52.25"        | 4.38"           | 5.25" 20.00"     | 89.10 lbs |
| B630  | 3 Ton Service Jack             | 52.25"        | 4.00"           | 5.50" 18.50"     | 67.10 lbs |

| Model  | Description            | Size (L x W x H) |        |        | Handle Length | Saddle Dia | Height (Min/Max) |        | Weight    |
|--------|------------------------|------------------|--------|--------|---------------|------------|------------------|--------|-----------|
| B630JS | 3 Ton Jack             | 24.19"           | 13.00" | 8.00"  | 52.25"        | 3.38"      | 5.50"            | 18.50" | 80.80 lbs |
|        | 3 Ton Jack Stands      | 7.63"            | 6.88"  | 11.31" | -             | -          | 11.31"           | 16.75" |           |
| B2036  | 36" Foldable Z-Creeper | 36.00"           | 6.50"  | 19.00" | -             | -          | 6.50"            | 19.00" | 20.00 lbs |



# Porto-Power®

## BLACKHAWK AUTOMOTIVE™

### Chapter Table of Contents

- 102-104 Body Repair Equipment Kits
  - 105 Flat Body Cylinder Kit
  - 105 Flat Body Cylinder
  - 106 Hydraulic Cylinders
  - 107 Threaded Cylinders
  - 107 Pull Cylinder
- 108 Manual Foot Pump Combos
- 109 Foot Pumps
- 110 Manual Hand Pumps
- 110 Air Hydraulic Hand Pump
- 111 Hydraulic Spreaders
- 111 Pull Posts and Accessories
- 112 Hose Accessories
- 113 Coupler Accessories
- 113 Hooks and Chain Accessories

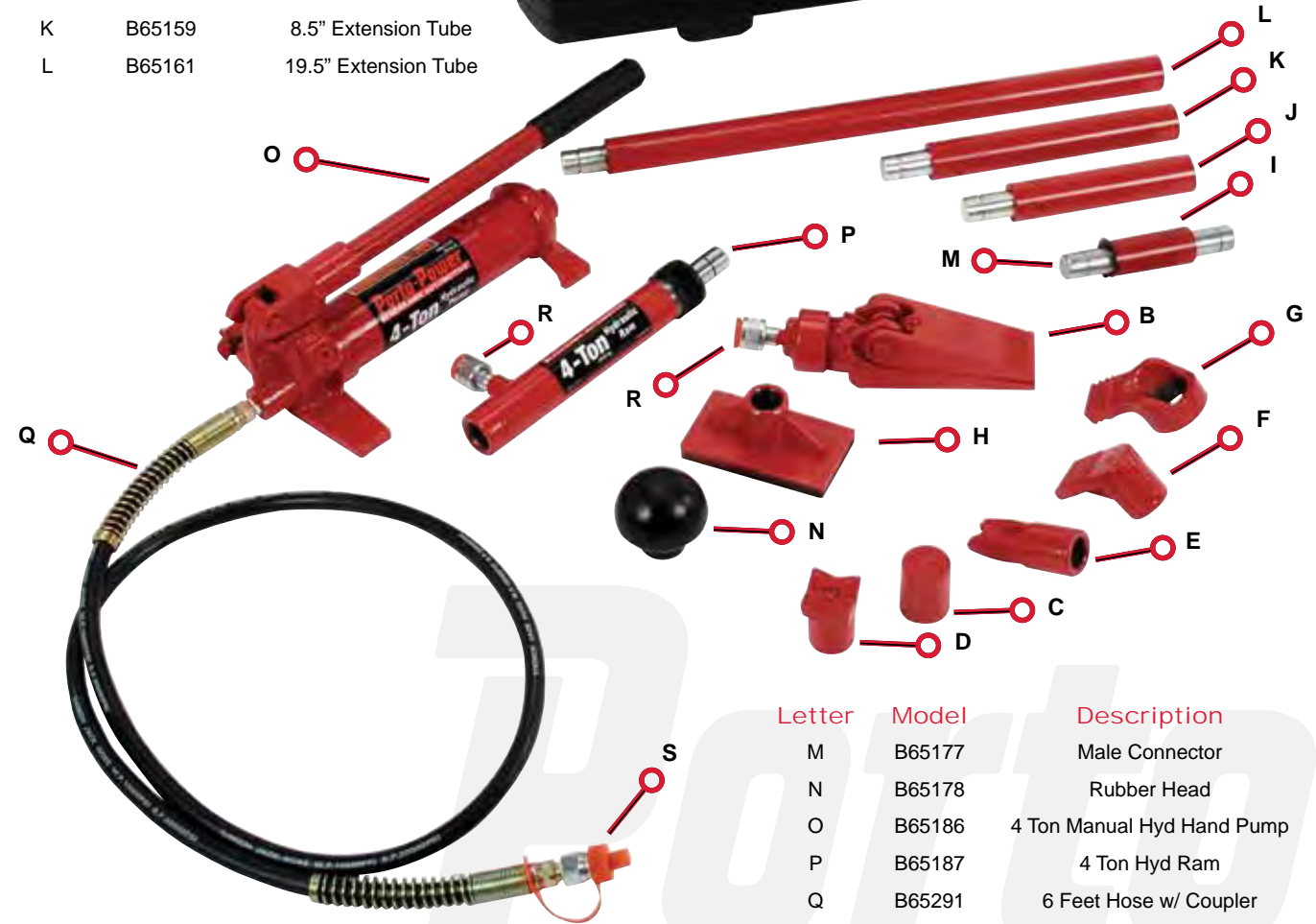
Porto-Power is the leading name in the automotive repair industry for body repair and hydraulic tools. Porto-Power's reputation is based on years of dependability, innovation and industry leading quality on a wide variety of body repair and frame straightening equipment.

This photo is for marketing purposes only and does not directly reflect on how products should be used. Please refer to your products Owners Manuals for suggested uses.

## BODY REPAIR EQUIPMENT

### 4 Ton Body Repair Equipment Kit

| Letter | Model  | Description              |
|--------|--------|--------------------------|
| A      | B65067 | 4 Ton Kit Blow-Mold Case |
| B      | B65123 | 1000 lbs Spreader        |
| C      | B65151 | Serrated Saddle          |
| D      | B65152 | 90° V-Base               |
| E      | B65153 | Wedge Head               |
| F      | B65154 | Plunger Toe              |
| G      | B65155 | Ram Toe                  |
| H      | B65156 | Flat Base                |
| I      | B65157 | 3" Extension Tube        |
| J      | B65158 | 6" Extension Tube        |
| K      | B65159 | 8.5" Extension Tube      |
| L      | B65161 | 19.5" Extension Tube     |



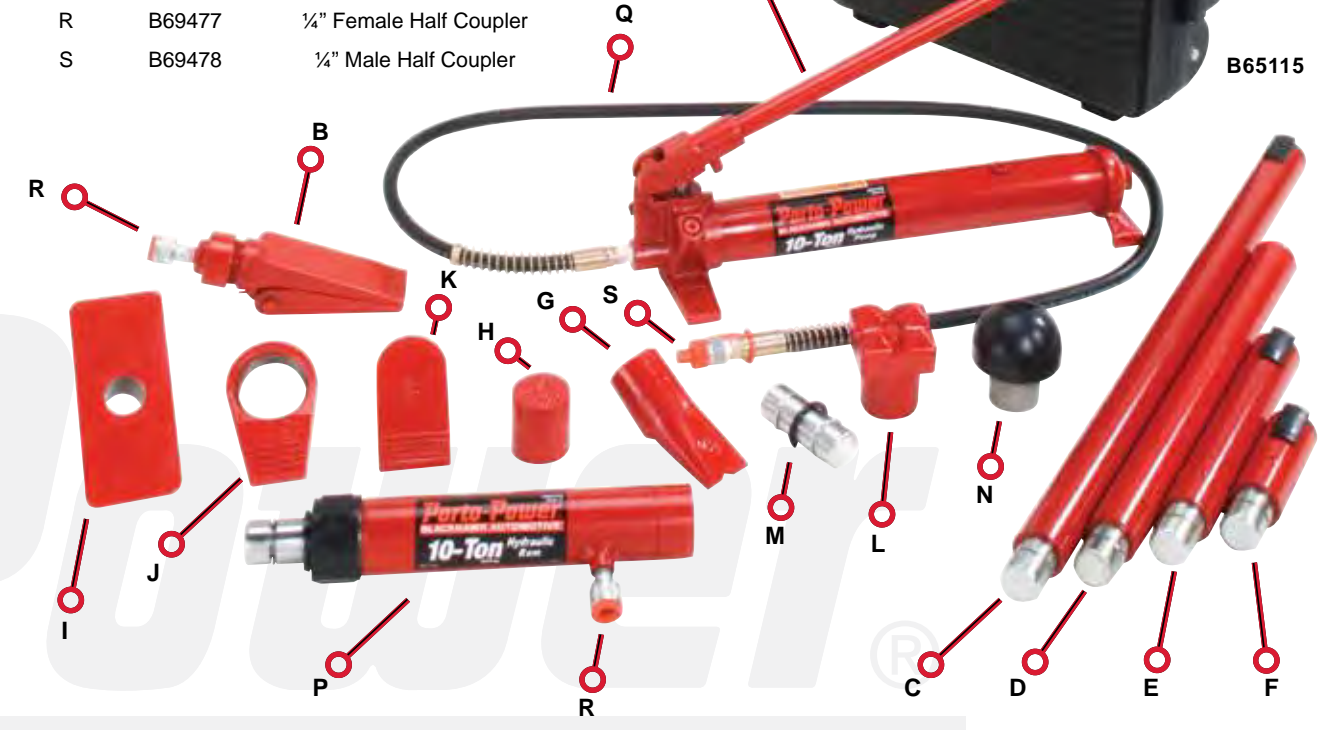
| Letter | Model  | Description                |
|--------|--------|----------------------------|
| M      | B65177 | Male Connector             |
| N      | B65178 | Rubber Head                |
| O      | B65186 | 4 Ton Manual Hyd Hand Pump |
| P      | B65187 | 4 Ton Hyd Ram              |
| Q      | B65291 | 6 Feet Hose w/ Coupler     |
| R      | B69477 | ¼" Female Half Coupler     |
| S      | B69478 | ¼" Male Half Coupler       |

| Model  | Description                     | Capacity (Pump/Ram) | Ram (Closed H/Ext H/Area²) | Weight    |
|--------|---------------------------------|---------------------|----------------------------|-----------|
| B65114 | 4 Ton Body Repair Equipment Kit | 8,000 PSI / 4 Ton   | 11.00" / 15.75" / 0.99"    | 41.00 lbs |

## BODY REPAIR EQUIPMENT

### 10 Ton Body Repair Equipment Kit

| Letter | Model  | Description                 |
|--------|--------|-----------------------------|
| A      | B65068 | 10 Ton Kit Blow-Mold Case   |
| B      | B65123 | 1000 lbs Spreader           |
| C      | B65162 | 27" Extension Tube          |
| D      | B65163 | 18" Extension Tube          |
| E      | B65164 | 10" Extension Tube          |
| F      | B65165 | 4" Extension Tube           |
| G      | B65166 | Wedge Head                  |
| H      | B65167 | Serrated Saddle             |
| I      | B65168 | Flat Base                   |
| J      | B65169 | Ram Toe                     |
| K      | B65172 | Plunger Toe                 |
| L      | B65173 | 90° V-Base                  |
| M      | B65179 | Male Connector              |
| N      | B65180 | Rubber Head                 |
| O      | B65188 | 10 Ton Manual Hyd Hand Pump |
| P      | B65189 | 10 Ton Hyd Ram              |
| Q      | B65291 | 6 Feet Hose w/ Coupler      |
| R      | B69477 | ¼" Female Half Coupler      |
| S      | B69478 | ¼" Male Half Coupler        |



| Model  | Description                      | Capacity (Pump/Ram) | Ram (Closed H/Ext H/Area²) | Weight    |
|--------|----------------------------------|---------------------|----------------------------|-----------|
| B65115 | 10 Ton Body Repair Equipment Kit | 10,000 PSI / 10 Ton | 13.63" / 19.75" / 2.41"    | 92.00 lbs |

Porto-Power by Blackhawk Automotive

## BODY REPAIR EQUIPMENT

## FLAT BODY CYLINDERS/KIT

### 20 Ton Body Repair Equipment Kit

| Letter | Model  | Description              |
|--------|--------|--------------------------|
| A      | B65073 | Wooden Chest             |
| B      | B65421 | 2 Speed Manual Hand Pump |
| C      | B65581 | Male Coupler, 3/8" NPT   |
| D      | B65582 | Female Coupler, 3/8" NPT |
| E      | B65593 | 6 Feet Hose w/ Coupler   |
| F      | B65740 | 20 Ton Cylinder          |
| G      | B65760 | 3" Extension Tube        |
| H      | B65762 | 5" Extension Tube        |
| I      | B65764 | 10" Extension Tube       |
| J      | B65766 | 18" Extension Tube       |
| K      | B65768 | 30" Extension Tube       |
| L      | B65770 | Threaded Connector       |
| M      | B65771 | Serrated Saddle          |
| N      | B65772 | V-Head                   |
| O      | B65773 | Wedge Head               |
| P      | B65774 | Ram Toe                  |
| Q      | B65775 | Chain Pull Plate         |
| R      | B65776 | Threaded Coupling        |
| S      | B65778 | Ram Base                 |
| T      | B65779 | Base Plunger             |
| U      | B97518 | 8 Feet Chain w/ Hook     |



| Model  | Description                      | Capacity (Pump/Ram) | Ram (Closed H/Ext H/Area²) | Weight     |
|--------|----------------------------------|---------------------|----------------------------|------------|
| B65041 | 20 Ton Body Repair Equipment Kit | 10,000 PSI / 20 Ton | 11.77" / 16.93" / 5.14"    | 193.00 lbs |

### 5 Ton Flat Body Cylinder Kit



5 Ton Flat Body Cylinder

Blow Mold Case

B65139

Stackable Magnetic Adapters Pat. 7,237,762 b2

4 Ton Flat Body Cylinder

1/4" Male Coupler

2.26" Extension Height

1.63" Low-Profile Height

B65140

| Model   | Description             | Stroke | Height (Collapsed/Ext) | Pressure @ Capacity | Ram Plunger Dia | Mounting Hole Dia | Weight   |
|---------|-------------------------|--------|------------------------|---------------------|-----------------|-------------------|----------|
| B65139* | 5 Ton Flat Body Ram Kit | 0.24"  | 1.26" / 1.50"          | 9,100 PSI           | 0.98"           | 0.20"             | 6.00 lbs |
| B65140  | 4 Ton Flat Body Ram     | 0.63"  | 1.63" / 2.26"          | 8,050 PSI           | 0.98"           | 0.20"             | 2.02 lbs |

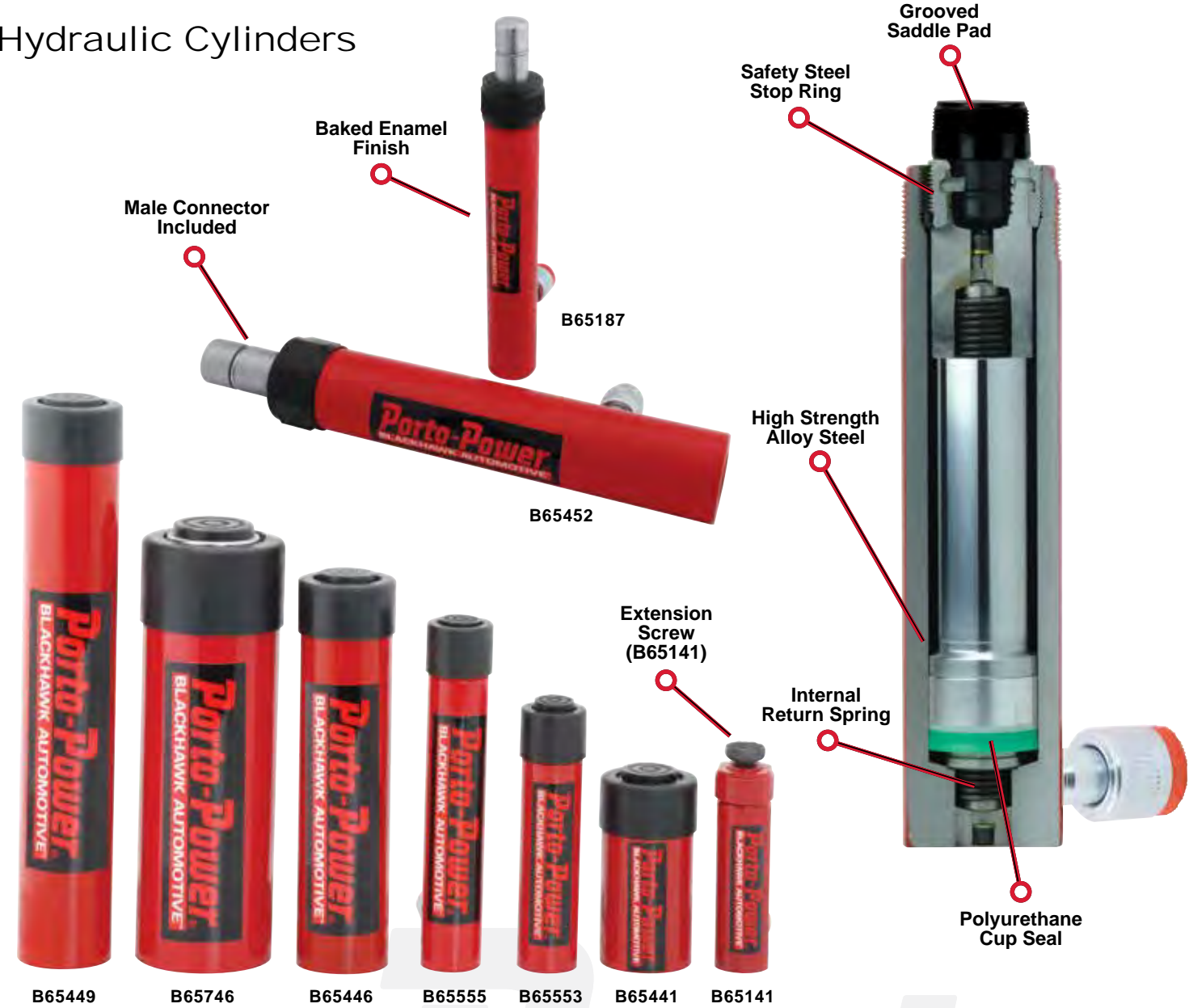
\*Model B65139 comes with four magnetic adapters and a carrying case.

Porto-Power by Blackhawk Automotive

# HYDRAULIC CYLINDERS

# THREADED / PULL HYD CYLINDERS

## Hydraulic Cylinders



## Threaded Rams



| Model   | Cap    | Stroke | Eff Area            | Oil Capacity         | Height (Coll/Ext) | Diameter (Out/Plun/Sad/Hole) | Op Pressure | Coupler    | Weight    |
|---------|--------|--------|---------------------|----------------------|-------------------|------------------------------|-------------|------------|-----------|
| B65141  | 2 Ton  | 3.07"  | 0.76in <sup>2</sup> | 2.32in <sup>3</sup>  | 5.39" 8.46"       | 2.80" 0.96" 1.00"            | -           | 5,800 PSI  | 2.00 lbs  |
| B65187* | 4 Ton  | 4.75"  | 1.00in <sup>2</sup> | 4.74in <sup>3</sup>  | 11.00" 15.75"     | 1.50" 0.97" 0.97"            | 0.98"       | 8,000 PSI  | 4.00 lbs  |
| B65441  | 10 Ton | 2.01"  | 2.24in <sup>2</sup> | 4.48in <sup>3</sup>  | 4.84" 6.85"       | 2.26" 1.49" 1.38"            | 0.28"       | 10,000 PSI | 6.00 lbs  |
| B65446  | 10 Ton | 5.94"  | 2.24in <sup>2</sup> | 13.44in <sup>3</sup> | 9.77" 15.88"      | 2.26" 1.49" 1.38"            | 0.31"       | 10,000 PSI | 10.50 lbs |
| B65449  | 10 Ton | 9.96"  | 2.24in <sup>2</sup> | 22.31in <sup>3</sup> | 13.86" 23.82"     | 2.26" 1.49" 1.38"            | 0.31"       | 10,000 PSI | 15.00 lbs |
| B65452* | 10 Ton | 6.03"  | 2.24in <sup>2</sup> | 13.44in <sup>3</sup> | 14.59" 20.62"     | 2.26" 1.50" 1.38"            | 0.31"       | 10,000 PSI | 13.00 lbs |
| B65553  | 5 Ton  | 3.07"  | 1.00in <sup>2</sup> | 3.00in <sup>3</sup>  | 6.65" 9.72"       | 1.50" 1.00" 0.98"            | 0.20"       | 10,000 PSI | 4.00 lbs  |
| B65555  | 5 Ton  | 5.08"  | 1.00in <sup>2</sup> | 5.00in <sup>3</sup>  | 8.70" 13.78"      | 1.50" 1.00" 0.98"            | 0.20"       | 10,000 PSI | 5.00 lbs  |
| B65746  | 25 Ton | 6.10"  | 5.14in <sup>2</sup> | 31.40in <sup>3</sup> | 10.71" 16.81"     | 3.35" 2.24" 2.13"            | 0.40"       | 10,000 PSI | 24.00 lbs |

| Model  | Cap    | Stroke | Eff Area            | Oil Capacity         | Height (Coll/Ext) | Diameter (Out/Plun) | Plun Out/ Base Int NPTF | Coupler | Optimum Pressure | Weight    |
|--------|--------|--------|---------------------|----------------------|-------------------|---------------------|-------------------------|---------|------------------|-----------|
| B65142 | 4 Ton  | 5.08"  | 1.00in <sup>2</sup> | 5.00in <sup>3</sup>  | 10.12" 15.20"     | 1.50" 1.00"         | 3/4"-14                 | B69477  | 8,000 PSI        | 4.40 lbs  |
| B65442 | 10 Ton | 6.10"  | 2.24in <sup>2</sup> | 13.66in <sup>3</sup> | 11.61" 17.72"     | 2.27" 1.69"         | 1-1/4"-11.5             | B65582  | 10,000 PSI       | 11.00 lbs |
| B65444 | 10 Ton | 10.12" | 2.24in <sup>2</sup> | 22.40in <sup>3</sup> | 15.63" 25.75"     | 2.27" 1.50"         | 1-1/4"-11.5             | B65582  | 8,930 PSI        | 15.00 lbs |
| B65740 | 20 Ton | 5.16"  | 5.14in <sup>2</sup> | 26.48in <sup>3</sup> | 11.77" 16.93"     | 3.35" 2.24"         | 2"-11.5                 | B65582  | 7,780 PSI        | 22.00 lbs |

| Model  | Cap   | Stroke | Eff Area            | Oil Capacity        | Height (Coll/Ext) | Diameter (Out/Plun) | Ram Out/ Base Moun NPTF | Optimum Pressure | Weight    |
|--------|-------|--------|---------------------|---------------------|-------------------|---------------------|-------------------------|------------------|-----------|
| B65454 | 5 Ton | 5.55"  | 1.14in <sup>2</sup> | 6.33in <sup>3</sup> | 11.93" 17.48"     | 2.25" 1.18"         | 1-1/4"-11.5             | 8,780 PSI        | 10.00 lbs |

\* Both B65187 and B65452 come with a male connector for the use with extension tubes.

Porto-Power by Blackhawk Automotive

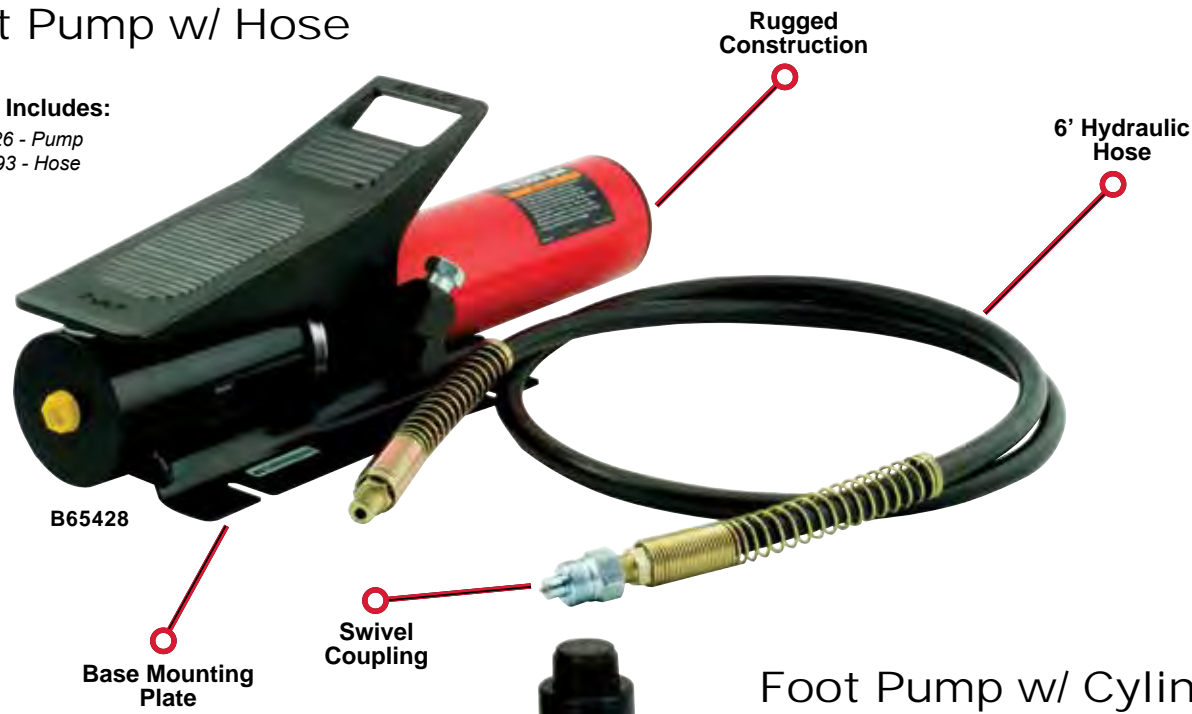
## PUMP COMBO KITS

## AIR HYDRAULIC FOOT PUMPS

### Foot Pump w/ Hose

Combo Includes:

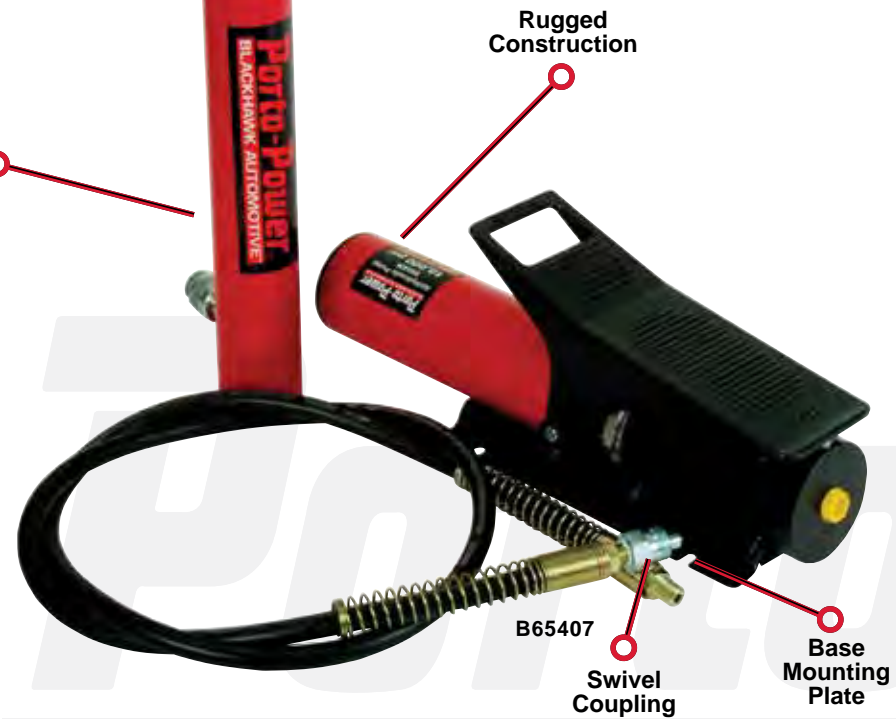
- B65426 - Pump
- B65593 - Hose



### Foot Pump w/ Cylinder

Combo Includes:

- B65426 - Pump
- B65593 - Hose
- B65444 - Ram



### 36 in<sup>3</sup> Foot Pump



### 122 in<sup>3</sup> Foot Pump



Patented Built In Bypass System  
Pat. 5,946,912

### 91 in<sup>3</sup> Foot Pump



### 231 in<sup>3</sup> Foot Pump



| Model  | Description                       | Cylinder # | Pump # | Hose # | Weight    |
|--------|-----------------------------------|------------|--------|--------|-----------|
| B65407 | 10 Ton Cylinder / Foot Pump Combo | B65444     | B65426 | B65593 | 28.00 lbs |
| B65428 | Foot Pump with Hose Combo         | -          | B65426 | B65593 | 17.80 lbs |

| Model  | Description                   | Oil Capacity           | Rated Pressure | Output Flow Rate (in <sup>3</sup> /min.) (Load/No Load) | Input Air Pressure | Port Threads NPTF (Input/Output) | Weight    |
|--------|-------------------------------|------------------------|----------------|---|--------------------|----------------------------------|-----------|
| B65425 | 91 in <sup>3</sup> Foot Pump  | 91.50 in <sup>3</sup>  | 10,000 PSI     | 19.53 / 61.02   | 102-203 PSI        | 1/4"-18 / 3/8"-18                | 18.50 lbs |
| B65426 | 36 in <sup>3</sup> Foot Pump  | 36.60 in <sup>3</sup>  | 10,000 PSI     | 19.53 / 61.00   | 102-203 PSI        | 1/4"-18 / 3/8"-18                | 16.50 lbs |
| B65427 | 122 in <sup>3</sup> Foot Pump | 122.00 in <sup>3</sup> | 10,000 PSI     | 9.10 / 61.02  | 104-203 PSI        | 1/4"-18 / 3/8"-18                | 21.10 lbs |
| B65438 | 231 in <sup>3</sup> Foot Pump | 231.00 in <sup>3</sup> | 10,000 PSI     | 11.00 / 66.00   | 110-175 PSI        | 1/4"-18 / 3/8"-18                | 25.00 lbs |

## HYDRAULIC HAND PUMPS

### Hydraulic Hand Pumps



### Air Hydraulic Hand Pump



| Model  | Description                             | Output Dis/Stroke (1st Stage/2nd Stage) |                     | Opt Force   | Piston Stroke | Oil Outlet Port    | Weight                           |           |
|--------|---|---|---------------------|---|---------------|--------------------|----------------------------------|-----------|
| B65122 | 20 in <sup>3</sup> Manual Hyd Hand Pump | 0.18in <sup>3</sup>                     | 0.05in <sup>3</sup> | 88.00 lbs   | 0.375"        | 1/4"-18NPTF        | 10.00 lbs                        |           |
| B65421 | 60 in <sup>3</sup> Manual Hyd Hand Pump | 0.81in <sup>3</sup>                     | 0.14in <sup>3</sup> | 130.00 lbs  | 0.815"        | 3/8"-18NPTF        | 16.00 lbs                        |           |
| Model  | Description                             | Oil Capacity                            | Rated Pressure      | Output Flow Rate (In <sup>3</sup> /min.) (Load/No Load) |               | Input Air Pressure | Port Threads NPTF (Input/Output) | Weight    |
| B65424 | Air Hyd Hand Pump                       | 36.60in <sup>3</sup>                    | 10,000 PSI          | 9.00  | 61.00         | 110-175 PSI        | 1/4"-18 3/8"-18                  | 16.50 lbs |

## PULL POSTS & HYD SPREADERS

### Hydraulic Spreaders



### Pull Post Accessories



### Pull Posts



| Model   | Description                                | Size (L x W)                                  |       | Stroke | Weight     |
|---------|--|---|-------|--------|------------|
| B65123  | ½ Ton Spreader w/ B69477 Coupler           | 10.00"  | 2.50" | -      | 5.00 lbs   |
| B65145  | 1 Ton Hydraulic Spreader w/ B69477 Coupler | 8.54"   | 2.16" | 3.50"  | 4.53 lbs   |
| B93650  | Post Extension                             | For use with Pull Posts, such as (B93601B)    |       |        | 32.00 lbs  |
| B93075  | Anchor Pot With Chain                      | 3.13"   | 3.13" | -      | 6.00 lbs   |
| B93601B | 10 Ton Pulling Post Package                | Includes Pull Post, Chains, Pump, Hose, & Ram |       |        | 200.00 lbs |



## ACCESSORIES

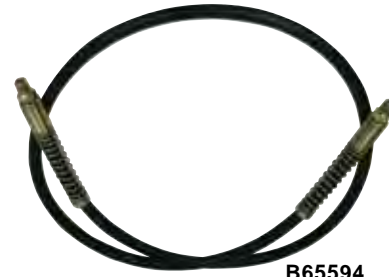
### Hoses



B65290



B65291



B65594



B65590



B65591



B65593

| Model  | Hose Length | Hose Size | Coupler       | Connection | Weight   |
|--------|-------------|-----------|---------------|------------|----------|
| B65290 | 6 Feet      | 0.25" ID  | -             | ¼" NPTF    | 3.00 lbs |
| B65291 | 6 Feet      | 0.25" ID  | Male (B69478) | ¼" NPTF    | 2.00 lbs |
| B65594 | 6 Feet      | 0.38" ID  | -             | ¾" NPTF    | 2.00 lbs |
| B65590 | 10 Feet     | 0.38" ID  | Male (B65581) | ¾" NPTF    | 4.00 lbs |
| B65591 | 10 Feet     | 0.25" ID  | Male (B69478) | ¼" NPTF    | 4.00 lbs |
| B65593 | 6 Feet      | 0.38" ID  | Male (B65581) | ¾" NPTF    | 3.00 lbs |

### Reducer, Fitting, Bushing & Gauge



B65129



B65131



B65132



B65782

| Model  | Description                 | Connection | Weight   |
|--------|-----------------------------|------------|----------|
| B65129 | Reducer From 0.38" To 0.25" | -          | 0.50 lbs |
| B65131 | Gauge Fitting               | 0.25" NPTF | 0.60 lbs |
| B65132 | Bushing From 0.25" To 0.38" | -          | 0.60 lbs |
| B65782 | 4.00" Wet Gauge             | 0.25" NPTF | 1.55 lbs |

## ACCESSORIES

### Couplers



B65280



B65281



B65282



B65580



B65581



B65582

| Model  | Type                 | Compatible Hose Size | Capacity | Weight   |
|--------|----------------------|----------------------|----------|----------|
| B65280 | Complete Coupler Set | 0.25" ID             | 4 Ton    | 0.50 lbs |
| B65281 | Hose Half Coupler    | 0.25" ID             | 4 Ton    | 1.00 lbs |
| B65282 | Ram Half Coupler     | 0.25" ID             | 4 Ton    | 0.10 lbs |
| B65580 | Complete Coupler Set | 0.38" ID             | 10 Ton   | 0.60 lbs |
| B65581 | Hose Half Coupler    | 0.38" ID             | 10 Ton   | 0.20 lbs |
| B65582 | Ram Half Coupler     | 0.38" ID             | 10 Ton   | 0.40 lbs |

### Hooks & Chains



B97661



B97520



B97662



B97691



B97518

| Model  | Type                    | Length | Capacity | Weight    |
|--------|-------------------------|--------|----------|-----------|
| B97520 | Double Grab Hook        | -      | 10 Ton   | 3.00 lbs  |
| B97661 | Chain With Claw Hook    | 6 Feet | 10 Ton   | 10.80 lbs |
| B97662 | Chain With 2 Claw Hooks | 6 Feet | 10 Ton   | 12.00 lbs |
| B97691 | Chain With Claw Hook    | 9 Feet | 10 Ton   | 12.90 lbs |
| B97518 | Chain With Grab Hook    | 8 Feet | 20 Ton   | 23.00 lbs |



# THE BONE™

## Chapter Table of Contents

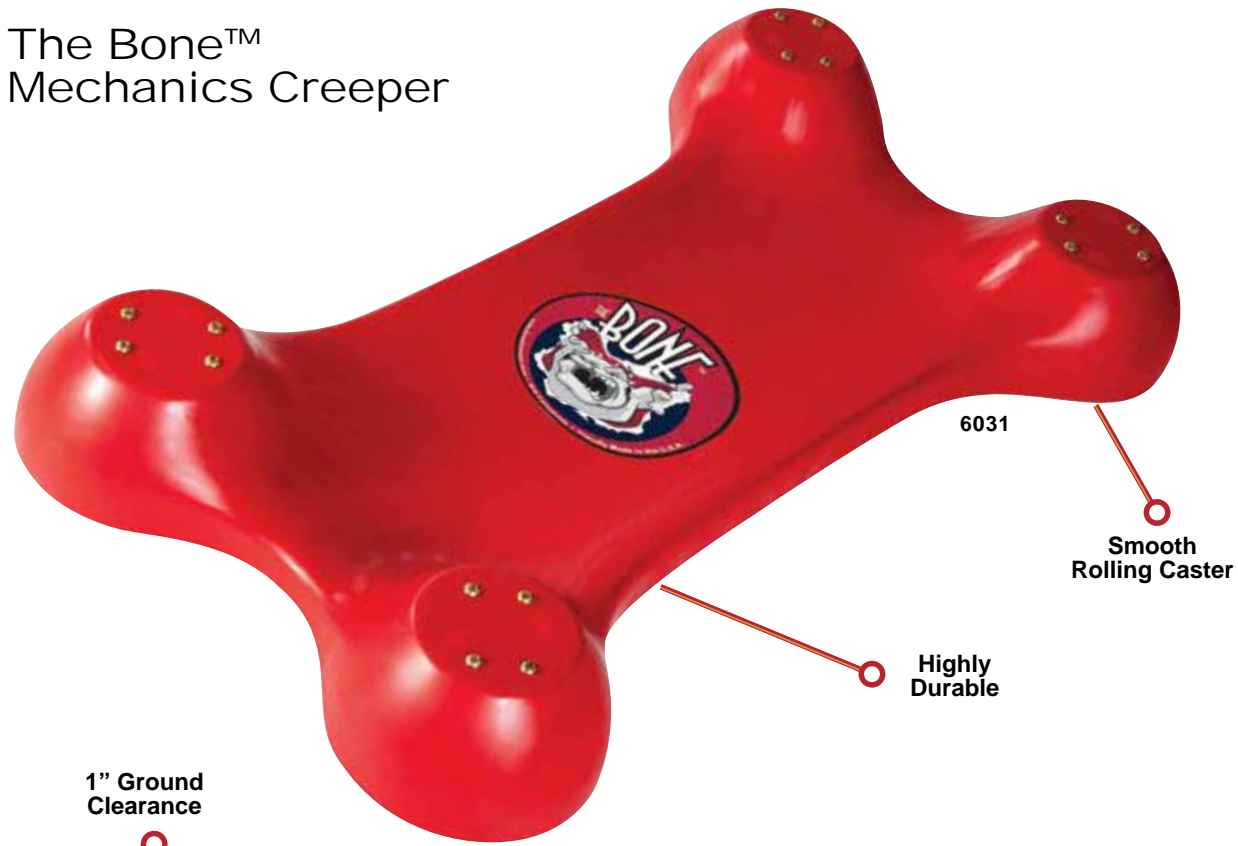
- 116 The Bone™
- 116 The Bone-Ster™
- 117 The Tail Bone™ Rough Rider™
- 117 The Tail Bone™
- 117 The Rough Rider™

Bone Creeper line is 100% made in the USA and has stood for quality and durability for well over 20 years. Strong, resilient the easiest maneuverability of any creeper in the market has made the Bone Creeper a mechanic's choice for over two decades. All Bone Creepers offers a one year manufacturer warranty on the board and casters, LIFETIME warranty on wheels; please see warranty section for added information.

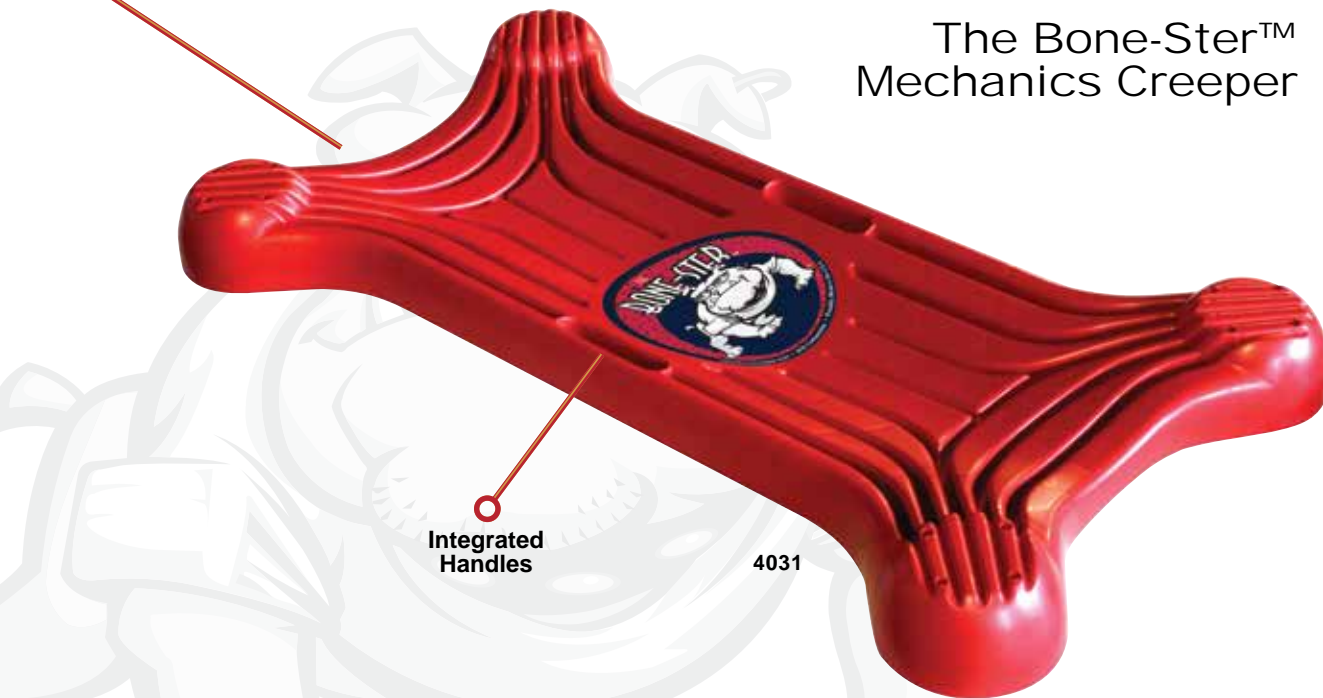
Bone Creeper

# BONE CREEPERS

The Bone™ Mechanics Creeper



The Bone-Ster™ Mechanics Creeper



| Model | Description                      | Capacity | Size (L x W x H) |        |       | Weight    |
|-------|----------------------------------|----------|------------------|--------|-------|-----------|
| 6031  | The Bone™ Mechanics Creeper      | 300 lbs  | 45.50"           | 25.50" | 7.88" | 22.00 lbs |
| 4031  | The Bone-Ster™ Mechanics Creeper | 400 lbs  | 43.00"           | 24.00" | 5.25" | 16.00 lbs |

# BONE CREEPERS

The Tail Bone™ Rough Rider™ Mechanics Shop Seat



The Tail Bone™ Mechanics Shop Seat



The Rough Rider™ Mechanics Creeper



| Model | Description                               | Capacity | Size (L x W x H) |        |        | Weight    |
|-------|---|----------|------------------|--------|--------|-----------|
| 5031  | The Tail Bone™ Mechanics Seat             | 350 lbs  | 28.00"           | 32.00" | 24.00" | 18.00 lbs |
| 5131  | The Tail Bone™ Rough Rider Mechanics Seat | 350 lbs  | 28.00"           | 32.00" | 25.00" | 20.00 lbs |
| 7031  | The Rough Rider™ Mechanics Creeper        | 400 lbs  | 45.50"           | 25.50" | 7.88"  | 25.00 lbs |

\* Please visit page 128-129 for more information on the life time warranty on our Bone Creeper Wheels.

# Pro-Lift® HD

## Chapter Table of Contents

- 120 Utility Lift
- 120 Snowmobile Adapter
- 120 ATV/UTV Adapter
- 121 Heavy Duty Utility Lift
- 121 Large UTV Adapter

Pro-Lift HD products focus on the repair of outdoor equipment specifically towards ATV, UTV and Snowmobiles. Consumer and Professional grade lifts available to fit the need of all enthusiasts in this market place. All Pro-Lift HD equipment offers a one year manufacturer warranty; please see warranty section for added information.

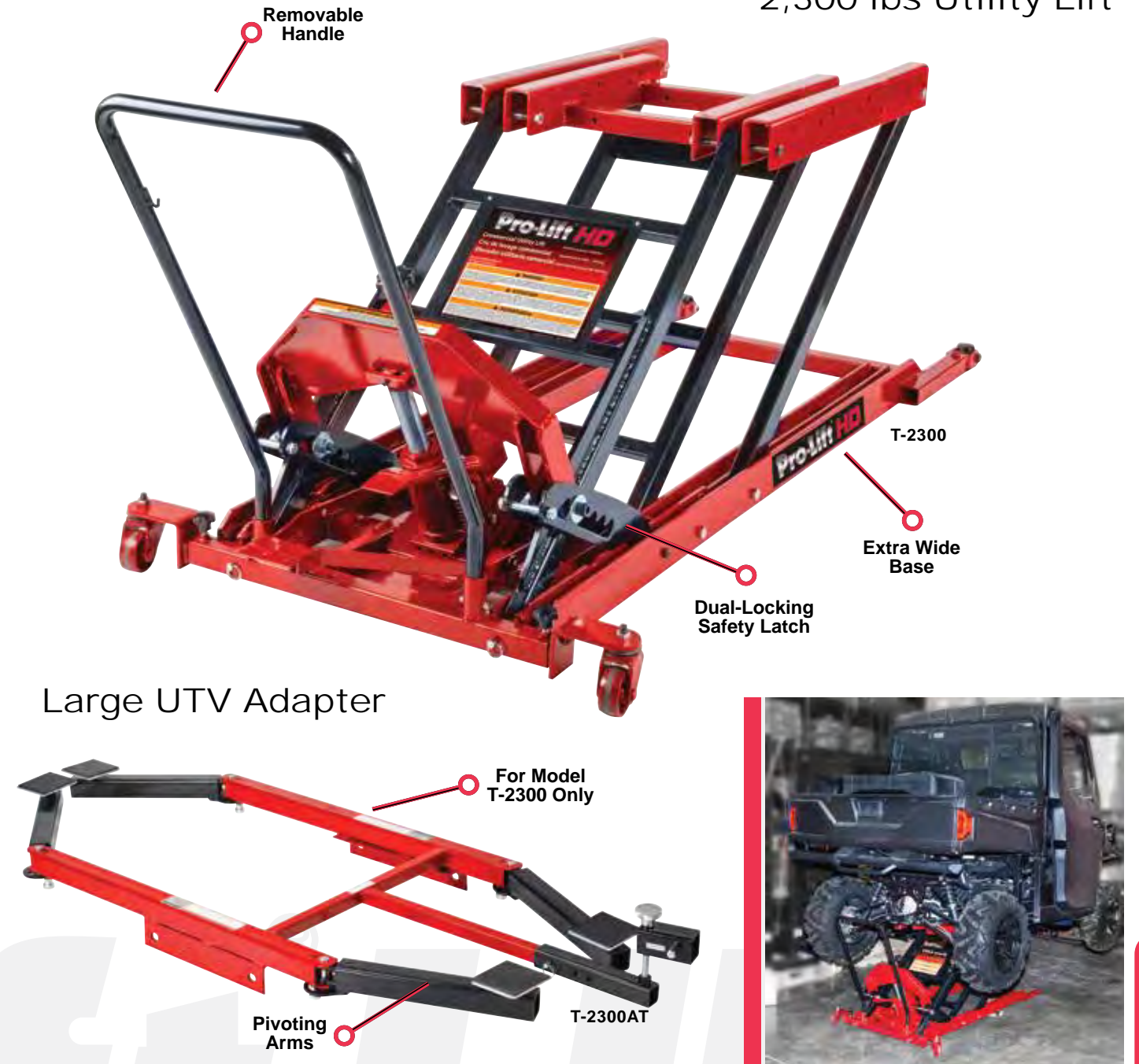
## PRO UTILITY VEHICLE LIFTS

1,250 lbs Utility Lift



## PRO UTILITY VEHICLE LIFTS

2,300 lbs Utility Lift



| Model      | Description            | Lifting Range | Packaging Dimensions (L W H) |        |        | Weight     |
|------------|------------------------|---------------|------------------------------|--------|--------|------------|
| T-1250     | 1,250 lbs Utility Lift | 25.50"        | 56.50"                       | 23.25" | 6.75"  | 282.00 lbs |
| T-1250AT1* | Snowmobile Adapter     | -             | 31.75"                       | 19.00" | 6.00"  | 44.00 lbs  |
| T-1250AT2* | ATV/UTV Adapter        | -             | 39.25"                       | 25.50" | 6.00"  | 54.00 lbs  |
| T-2300     | 2,300 lbs Utility Lift | 25.50"        | 74.00"                       | 38.50" | 14.25" | 484.00 lbs |
| T-2300AT** | Large UTV Adapter      | -             | 68.00"                       | 27.25" | 5.50"  | 85.00 lbs  |

\* These adapters are compatible on both model T-1250 and T-2300  
 \*\* This adapter was designed to fit on only the T-2300

# Pro-Lift®

## Chapter Table of Contents

- 124 Lawn Mower Lifts
- 124 Push Mower Adapter
- 125 Heavy Duty Lawn Mower Lift
- 125 Air Actuated Heavy Duty Lawn Mower Lift



Pro-Lift products have consistently led the industry in quality and innovation. Designed after professional grade equipment standards, Pro-Lift equipment strive to meet current ASME/ PASE safety standards and is kept under close quality control standards from factory to your home. Our patented products provide a unique twist to your garage maintenance needs. All Pro-Lift equipment offers a one year manufacturer warranty; please see warranty section for added information.

## LAWN MOWER LIFTS

350 lbs Lawn Mower Lift



300 lbs Lawn Mower Lift



550 lbs Lawn Mower Lift



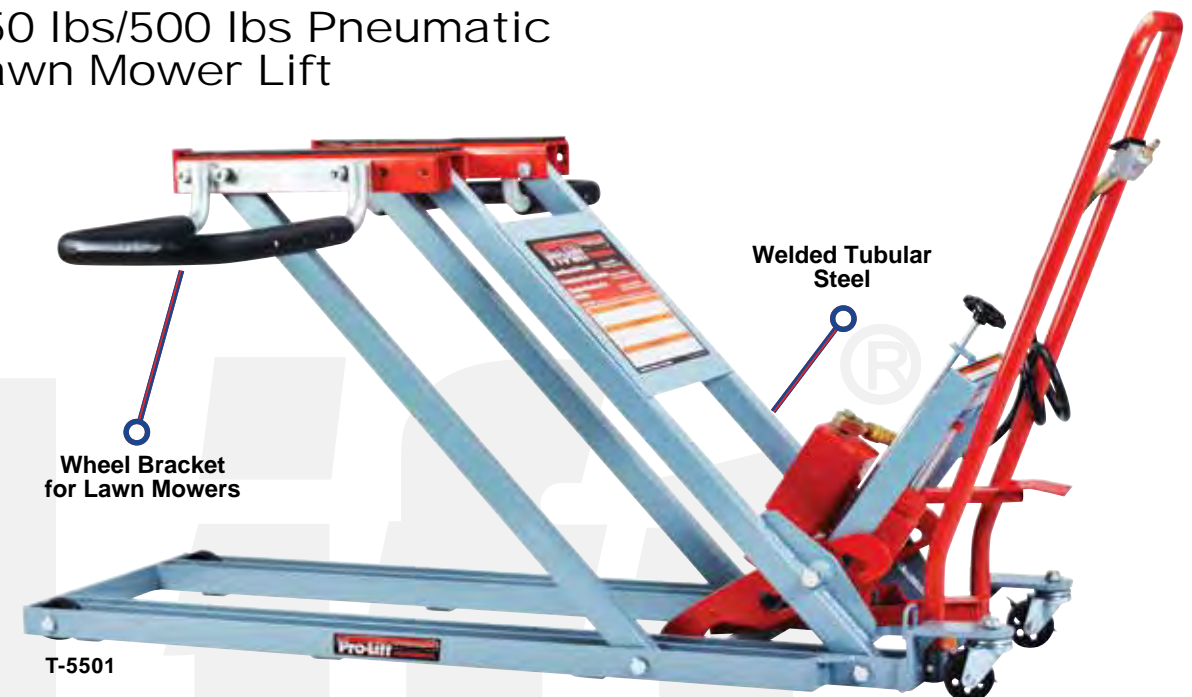
| Model   | Description             | Lifting Range | Packaging Dimensions (L x W x H) |        |       | Weight    |
|---------|-------------------------|---------------|----------------------------------|--------|-------|-----------|
| T-5300E | 300 lbs Lawn Mower Lift | 23.00"        | 36.00"                           | 16.50" | 5.50" | 51.60 lbs |
| T-5335A | 350 lbs Lawn Mower Lift | 23.00"        | 36.00"                           | 16.50" | 5.50" | 55.00 lbs |
| T-5355A | 550 lbs Lawn Mower Lift | 23.38"        | 36.00"                           | 16.50" | 5.50" | 69.30 lbs |

## HEAVY DUTY LAWN MOWER LIFTS

750 lbs/500 lbs Lawn Mower Lift



750 lbs/500 lbs Pneumatic Lawn Mower Lift



| Model  | Description                               | Lifting Range | Packaging Dimensions (L x W x H) |        |       | Weight     |
|--------|---|---------------|----------------------------------|--------|-------|------------|
| T-5500 | 750 lbs/500 lbs Lawn Mower Lift           | 22.50"-26.50" | 56.50"                           | 19.75" | 7.75" | 159.50 lbs |
| T-5501 | 750 lbs/500 lbs Pneumatic Lawn Mower Lift | 22.50"-26.50" | 56.50"                           | 19.75" | 7.75" | 171.00 lbs |
| T-5510 | Push Mower Adapter*                       | -             | 36.62"                           | 5.70"  | 4.30" | 14.33 lbs  |

\* This Push Mower Adapter is compatible with T-5500 and T-5501 only.

## About SFA Companies

SFA Companies is one of several Sales, Distribution, Marketing & Service branches of Shinn Fu Manufacturing Group focusing on the western hemisphere for these functions. Over the past 40 years SFA has established itself as one of the leading suppliers of hydraulics and shop equipment.

In addition to distribution, SFA has also played a key role in engineering, research and product design to help our manufacturing facilities meet our market needs. Our OEM private-label customers, with their strict requirements, are a vital part of this effort. March of 2008 SFA obtained ISO 9001:2000 Certification operation processes and policies.

Our products are manufactured in the Shinn Fu Group's ISO-9000 factories so we are able to provide a quality product that meets the industry standards, such as ASME/ANSI. Also, Shinn Fu Group has been granted many US patents to feature our unique product designs, which enhances our innovation and quality.

Due to the factories' capabilities, we are able to give our customers products that are competitively priced, without sacrificing quality and design features.

## For Your Safety

NEVER use any equipment list in this catalog without first completely reading, understanding and following instructions AND safety precautions noted in your products manual. The warnings and/or safety messages listed below are NOT a complete list of warning. We insist that you read your product's owners manual thoroughly and keep your manual available for referencing throughout the life of your product.

## Service Jacks and Jack Stands

Inspect before each use. Do not use if broken, bent, cracked, or damaged parts (including labels) are noted. Any jack that appears damaged in any way, operates abnormally or is missing parts, shall be removed from service immediately and the manufacturer notified. If you suspect that the jack was subjected to a shock load (a load dropped suddenly, unexpectedly upon it), immediately discontinue use until the jack has been checked by a factory authorized service center (contact distributor or manufacturer for list of Authorized Service Centers). It is recommended that an annual inspection be done by qualified personnel. Replace worn or damaged parts with Hein-Werner Authorized Replacement Parts only. Labels and owner's manuals are available from manufacturer. **WARNING:** Never use this jack as a standalone device. After lifting, immediately support the lifted vehicle with a pair of appropriately rated vehicle stands.

**WARNING:** Do not lift or carry jack by handle. Handle could dislodge and jack fall, resulting in possible injury or property damage.

**WARNING:** Lift only on areas of the vehicle as specified by the vehicle manufacturer.

**WARNING:** Never work on, under or around a load supported only by a hydraulic jack.

**WARNING:** Overloading may cause hydraulic system failure and sudden loss of load.

**WARNING:** Clear all tools and personnel before lowering vehicle. The further release valve (handle) is turned counter-clockwise, the faster the load will descend. Maintain control of the speed at which the load lowers at all times.

## Cylinders/Rams and Bottle Jacks

Do not exceed rated capacities

Use only on hard level surface capable of sustaining the load

Do not connect actuators to pumps with higher pressure ratings

Always inspect hoses and connections for damage prior to use

Keep hands and feet clear of work area

Immediately after lifting, support the load with appropriate means

Use only manufacturer approved hydraulic fluid (when applicable)

No alterations shall be made to these products

Failure to heed these markings may result in injury and/or property damage

## Hydraulic Pumps

**READ AND UNDERSTAND ALL WARNINGS, INSTRUCTIONS AND OWNER'S MANUAL INFORMATION BEFORE ATTEMPTING TO USE THIS EQUIPMENT**

- Burst hazard exists if hose or connection pressure exceeds rated pressure.
- Do not exceed the rated capacity of this device. Monitor pressure and load at all times.
- Verify load with calibrated load cell and indicator, accurate pressure gauge or equivalent devices.
- Inspect hoses and connections for damage prior to use. Never attempt to grasp a leaking pressurized hose.
- Release the hydraulic pressure before disconnecting hoses or couplers, and before servicing the pump or accessory.
- Immediately after lifting, support the load with appropriate means. Never rely on hydraulic pressure to support a load.
- Wear protective clothing and eye protection that meets ANSI Z87.1 and OSHA standards when operating this equipment.
- Ensure that the chosen application is stable to work on and around.
- Do not subject the pump and its components to shock loads.
- Do not connect to application which can return more oil to the reservoir than the pump reservoir can hold.
- Ensure that the rated pressure of all applications and fittings be equal to or greater than the rated pressure of this pump.
- Keep hydraulic equipment away from flames and heat.
- No alterations shall be made to this device.
- Failure to heed these warnings may result in personal injury as well as property damage.



## 4 OMEGA LIFT EQUIPMENT

- 6 Side Pump Bottle Jacks
- 7 Low Profile Side Pump Bottle Jacks
- 8 Toe Jacks
- 8 External Spring Return Air Bottle Jacks
- 9 In-Line Bottle Jacks
- 9 In-Line Low Profile Bottle Jacks
- 10 Air/Manual Hydraulic Bottle Jacks
- 11 High Tonnage Air/Manual Hydraulic Bottle Jack
- 12 Magic Lift™ Service Jacks
- 13 Low Profile Magic Lift™ Service Jacks
- 14 Aluminum Hybrid Service Jacks
- 15 Long Chassis Service Jacks
- 15 Air Hydraulic Long Chassis Service Jacks
- 18 Magic Lift™ Jack Stands
- 19 Standard Ratchet Style Jack Stands
- 20 Dual Locking Jack Stands
- 21 High Lift Jack Stands
- 21 Forklift Jack Stands
- 22 Auxiliary High Reach Stands
- 22 Air Jack with Support Stand
- 23 Axle Jack
- 23 Low-Profile Axle Jack
- 23 Air Return Axle Jack
- 24 Axle Jack/Air Impact Wrench Combo
- 24 2 Stage Axle Jack
- 25 High Tonnage Axle Jacks
- 26 Telescopic Transmission Jacks
- 28 Floor Style Transmission Jacks
- 29 Clutch Jack
- 30 Engine Stand
- 30 Rotating Head Engine Stand
- 31 Engine Crane and Accessories
- 32 Long Jacks
- 33 Wheel Dollies
- 33 Car Dolly
- 33 Break Drum Handler
- 34 Body Repair Kits
- 35 Treadle Pumps
- 35 Low Profile Cylinder Kit
- 36 Bead Breaker
- 36 Bead Breaker Combo
- 36 Forklift Jack
- 36 Oil Drain
- 37 Truck Ramps
- 37 Rolling Service Tray
- 38 Shop Presses and Accessories
- 40 2-in-1 Z-Creeper
- 40 3-in-1 Low-Profile Z-Creeper
- 41 Plastic Molded Creepers
- 42 Low-Profile Creeper
- 42 2-in-1 Shop Seat/Stepping Stool

- 42 Toolbox Show Seat
- 43 Wheel Arm™

## 44 OMEGA PRO

- 46 Torque Wrenches
- 46 Preset Torque Wrench Set
- 47 Compact Air Impact Wrench
- 47 Heavy Duty Air Impact Wrench with Case
- 48 Omega Pro Tool Cart
- 48 95 Piece Drive Metric Socket Set
- 49 3-Fold EVA Pad with LED Light Strip
- 49 EVA Knee Pad
- 49 Mini Digital Tire Inflator
- 49 Digital Tire Inflator

## 50 HEIN-WERNER AUTOMOTIVE

- 52 Service Jacks
- 53 Long Chassis Service Jacks
- 54 Speed Pak™ Air Hydraulic Service Jacks
- 55 Forklift Jack
- 55 Air Hydraulic Truck Jack
- 55 Air Jack and Stand
- 56 Truck Jacks
- 57 Vehicle Stands
- 57 High Reach Jack Stands
- 58 Heavy Duty Jack Stands
- 58 Forklift Jack Stands
- 59 End Lift
- 59 End Lift with Remote Operation
- 60 Wheel Lift System
- 62 Engine Crane and Accessories
- 64 Engine Stands and Accessories
- 66 Floor Style Transmission Jack
- 66 Telescopic Transmission Jack
- 67 Wheel Dolly
- 68 Shop Presses and Accessories

## 76 BLACKHAWK AUTOMOTIVE PLATINUM SERIES

- 78 Air Hydraulic Axle Jack
- 78 Heavy Duty Pin Style Jack Stands
- 79 Transmission Jack
- 79 Blackhawk Platinum Tool Cart

Shop for quality Blackhawk products on our website.

## 80 BLACKHAWK AUTOMOTIVE

- 82 Fast Lift Service Jacks
- 82 Low Profile Fast Lift Service Jacks
- 82 Fast Lift Service Jack/Jack Stands Combo
- 83 Long Chassis Service Jacks
- 83 Fast Lift Long Chassis Service Jacks
- 84 Air Hydraulic Axle Jacks
- 85 Truck Ramps
- 85 Wheel Dolly
- 86 Standard Ratchet Jack Stands
- 86 Fast Lift Jack Stands
- 87 High Life Jack Stands
- 87 Forklift Jack Stands
- 87 High Tonnage Pin Style Jack Stands
- 88 Manual Bottle Jacks
- 88 Manual Shorty Bottle Jacks
- 89 Air Hydraulic Spring Return Bottle Jack
- 89 Air Hydraulic Bottle Jacks
- 89 Long Jacks
- 90 Shop Press
- 91 Engine Crane
- 92 Transmission Jacks
- 93 Fuel Tank Adapter
- 93 Floor Transmission Jacks
- 94 Under Hoist
- 94 High Reach Supplement Stand
- 95 Engine Stand
- 95 Clutch Jack

## 96 BANNER

- 98 Fast Lift Service Jack
- 98 Service Jack
- 99 Service Jack/Jack Stand Combo
- 99 Foldable Z-Creeper

## 100 PORTO-POWER

- 102 Body Repair Equipment Kits
- 105 Flat Body Cylinder Kit
- 105 Flat Body Cylinder
- 106 Hydraulic Cylinders
- 107 Threaded Cylinders
- 107 Pull Cylinder
- 108 Manual Foot Pump Combos
- 108 Foot Pumps
- 110 Manual Hand Pumps
- 110 Air Hydraulic Hand Pump

- 111 Hydraulic Spreaders
- 111 Pull Posts and Accessories
- 112 Hose Accessories
- 113 Coupler Accessories
- 113 Hooks and Chain Accessories

## 114 BONE CREEPER™

- 116 The Bone™
- 116 The Bone-Ster™
- 117 The Tail Bone™ Rough Rider™ Seat
- 117 The Tail Bone™
- 117 The Rough Rider™

## 118 PRO-LIFT HD

- 120 Utility Lift
- 120 Snowmobile Adapter
- 120 ATV/UTV Adapter
- 121 Heavy Duty Utility Lift
- 121 Large UTV Adapter

## 122 PRO-LIFT

- 124 Lawn Mower Lifts
- 125 Heavy Duty Lawn Mower Lift
- 125 Air Actuated Heavy Duty Lawn Mower Lift
- 125 Push Mower Adapter

Learn more about hydraulic pumps and cylinders we have.