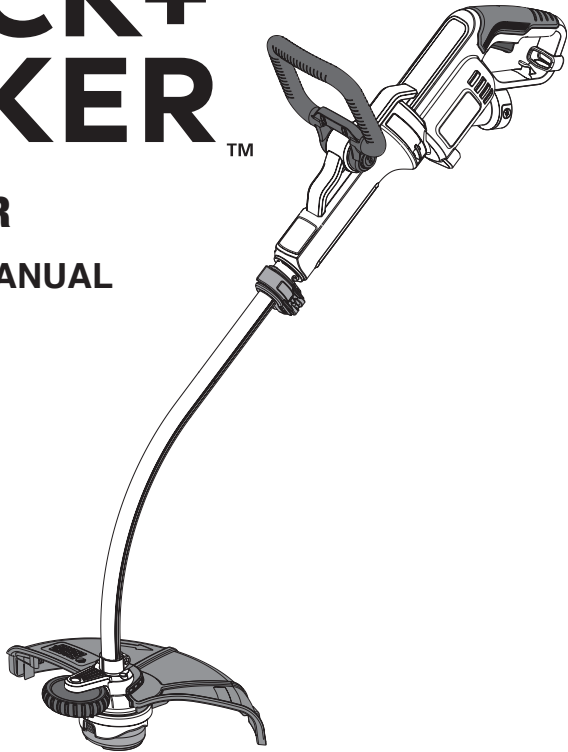


BLACK+ DECKER™

TRIMMER/EDGER

INSTRUCTION MANUAL
CATALOG NUMBER
GH3000



KEY INFORMATION YOU SHOULD KNOW:

- The guard must be installed before trimming or edging - if not, the motor will overheat.
- When replacing the line, use only .080 inch diameter ROUND line (B&D Model #SF-080 is recommended) - otherwise the appliance will not function properly.
- Do not bump the feed head against the ground - it will disrupt the automatic feed mechanism.

Thank you for choosing Black+Decker!

SAVE THIS MANUAL FOR FUTURE REFERENCE.

SAFETY GUIDELINES - DEFINITIONS

It is important for you to read and understand this manual. The information it contains relates to protecting **YOUR SAFETY and PREVENTING PROBLEMS**. The symbols below are used to help you recognize this information.

⚠ DANGER: Indicates an imminently hazardous situation which, if not avoided, will result in death or serious injury.

⚠ WARNING: Indicates a potentially hazardous situation which, if not avoided, could result in death or serious injury.

⚠ CAUTION: Indicates a potentially hazardous situation which, if not avoided, may result in minor or moderate injury.

NOTICE: Used without the safety alert symbol indicates potentially hazardous situation which, if not avoided, may result in property damage.

⚠ WARNING: When using electric gardening appliances, basic safety precautions should always be followed to reduce risk of fire, electric shock, and personal injury, including the following.

IMPORTANT SAFETY WARNINGS AND INSTRUCTIONS TO REDUCE RISK OF INJURY:

- Before any use, be sure everyone using this trimmer reads and understands all safety instructions and other information contained in this manual.
- Save these instructions and review frequently prior to use and in instructing others.

⚠ CAUTION: Failure to comply with the recommendations outlined in the key information section will void warranty.

⚠ WARNING: Some dust created by this product contains chemicals known to the State of California to cause cancer, birth defects or other reproductive harm. Some examples of these chemicals are:

- compounds in fertilizers
- compounds in insecticides, herbicides and pesticides
- arsenic and chromium from chemically treated lumber

To reduce your exposure to these chemicals, wear approved safety equipment such as dust masks that are specially designed to filter out microscopic particles.

⚠ WARNING: *ALWAYS use safety glasses. Everyday eyeglasses are NOT safety glasses. Also use face or dust mask if trimming operation is dusty. ALWAYS WEAR CERTIFIED SAFETY EQUIPMENT:*

- ANSI Z87.1 eye protection (CAN/CPA Z94.3),
- NOSH/OSHA respiratory protection.

⚠ WARNING: Always wear proper personal hearing protection that conforms to ANSI S12.6 (S3.19) during use. Under some conditions and duration of use, noise from this product may contribute to hearing loss.

READ ALL INSTRUCTIONS

- **ALWAYS WEAR EYE PROTECTION** – Wear safety glasses or goggles at all times when this trimmer is plugged in.
- **GUARD** – Do not use this trimmer without guard attached.
- **DRESS PROPERLY** – Do not wear loose clothing or jewelry. They can be caught in moving

- parts. Rubber gloves and substantial rubber soled footwear are recommended when working outdoors. Don't operate the trimmer when barefoot or wearing open sandals. Wear **heavy long pants** to protect your legs. Wear protective hair covering to contain long hair.
- **NYLON LINE** – Keep face, hands and feet clear of rotating nylon line at all times.
 - **THE ROTATING LINE PERFORMS A CUTTING FUNCTION** – Use care when trimming around screens and desirable plants.
 - **KEEP ALL BYSTANDERS AWAY** – at a safe distance from work area, especially children.
 - **IMPORTANT WARNING** – When being used as an Edger, stones, pieces of metal and other objects can be thrown out at high speed by the line. The trimmer and guard are designed to reduce the danger. However, the following special precautions should be taken: **MAKE SURE** that other persons and pets are at least 100 feet (30m) away.
 - **TO REDUCE THE RISK** of rebound (ricochet) injury, work going away from any nearby solid object such as wall, steps, large stone, tree, etc. Use great care when working close to solid objects and where necessary, do edging or trimming by hand.
 - **AVOID ACCIDENTALLY STARTING** – Don't carry plugged-in trimmer with finger on trigger.
 - **DO NOT FORCE THE APPLIANCE** – at a rate faster than the rate at which it is able to cut effectively.
 - **USE THE RIGHT APPLIANCE** – Do not use this trimmer for any job except that for which it is intended.
 - **DON'T OVERREACH** – Keep proper footing and balance at all times.
 - **DAMAGE TO UNIT** – If you strike or become entangled with a foreign object, stop trimmer immediately, unplug, check for damage and have any damage repaired before further operation is attempted. Do not operate with a broken hub or spool.
 - **DAMAGE TO CORD** – Keep power cord away from rotating line. If you damage the cord, unplug it from the power supply before moving the tool or examining the damage. A damaged cord must be replaced before further use.
 - **SECURE EXTENSION CORD** using the cord retainer shown in **Figure H**.
 - **DISCONNECT TRIMMER** – when not in use, when replacing line, or prior to cleaning.
 - **AVOID DANGEROUS ENVIRONMENTAL CONDITIONS** – Do not use electric appliances in damp or wet locations. Follow all instructions in this Instruction Manual for proper operation of your trimmer. Don't use the trimmer in the rain.
 - **DO NOT OPERATE** portable electric trimmers in gaseous or explosive atmospheres. Motors in these trimmers normally spark, and the sparks might ignite fumes.
 - **STORE IDLE TRIMMERS INDOORS** – When not in use, trimmers should be stored indoors in a dry, locked-up place out of reach of children.
 - **STAY ALERT** – Do not operate this unit when you are tired, ill, or under the influence of alcohol, drugs, or medication.
 - **GROUND FAULT CIRCUIT INTERRUPTER (GFCI)** protection should be provided on the circuit(s) or outlet(s) to be used for the trimmer. Receptacles are available having built-in GFCI protection and may be used for this measure of safety.
 - **DON'T ABUSE CORD** – Never carry trimmer by cord or yank it to disconnect from receptacle. Keep cord from heat, oil, and sharp edges.
 - **REPLACEMENT PARTS** – When servicing use only identical replacement parts.
 - **MAINTAIN TRIMMERS WITH CARE** – Follow instructions in maintenance section. Keep handles dry, clean and free from oil and grease.
 - **CHECK DAMAGED PARTS** – Before further use of the trimmer, a guard or other part that is damaged should be carefully checked to determine that it will operate properly and perform its intended function. Check for alignment of moving parts, binding of moving parts, breakage of parts, mounting, and any other condition that may affect its operation. A guard or other part that is damaged should be properly repaired or replaced by an authorized service center unless otherwise indicated elsewhere in this manual.
 - **DO NOT** immerse trimmer in water or squirt it with a hose. **DO NOT** allow any liquid to get inside it.

- DO NOT store the trimmer on or adjacent to fertilizers or chemicals.
- DO NOT clean with a pressure washer.
- Keep guards in place and in working order.
- Keep hands and feet away from cutting area.

⚠WARNING: Do not use trimmer if the switch trigger does not turn the trimmer on or off. Any trimmer that can not be controlled with the switch trigger is dangerous and must be repaired.

SAVE THESE INSTRUCTIONS

SYMBOLS

The label on your trimmer may include the following symbols. The symbols and their definitions are as follows:

V..... volts	A.....amperes
Hz..... hertz	W.....watts
min minutes	~ or Ac..... alternating current
--- or DC.....direct current	n_0 no load speed
Ⓛ..... Class I Construction (grounded)	Ⓧ..... earthing terminal
Ⓜ..... Class II Construction (double insulated)	⚠..... safety alert symbol
👉..... Read instruction manual before use	.../min or rpm...revolutions or reciprocation per minute
👂..... Use proper hearing protection	🧴..... Use proper respiratory protection
	🕶..... Use proper eye protection

ADDITIONAL WARNINGS FOR STRING TRIMMERS

1. Keep the air intake slots (**Figure H2**) clean to avoid overheating.
2. Your trimmer line can dry out over time. To keep your line in top condition, store spare pre-wound spools or bulk line in a plastic, sealable bag with a tablespoon of water.
3. Plastic parts may be cleaned by using a mild soap and a damp rag.
4. DO NOT immerse appliance in water or squirt it with a hose. DO NOT allow any liquid to get inside it.
5. Do not store the appliance on or adjacent to fertilizers or chemicals.
6. DO NOT clean with a pressure washer.
7. The line cutter on the edge of the guard can dull over time.

SAFETY WARNINGS AND INSTRUCTIONS: POLARIZED PLUGS

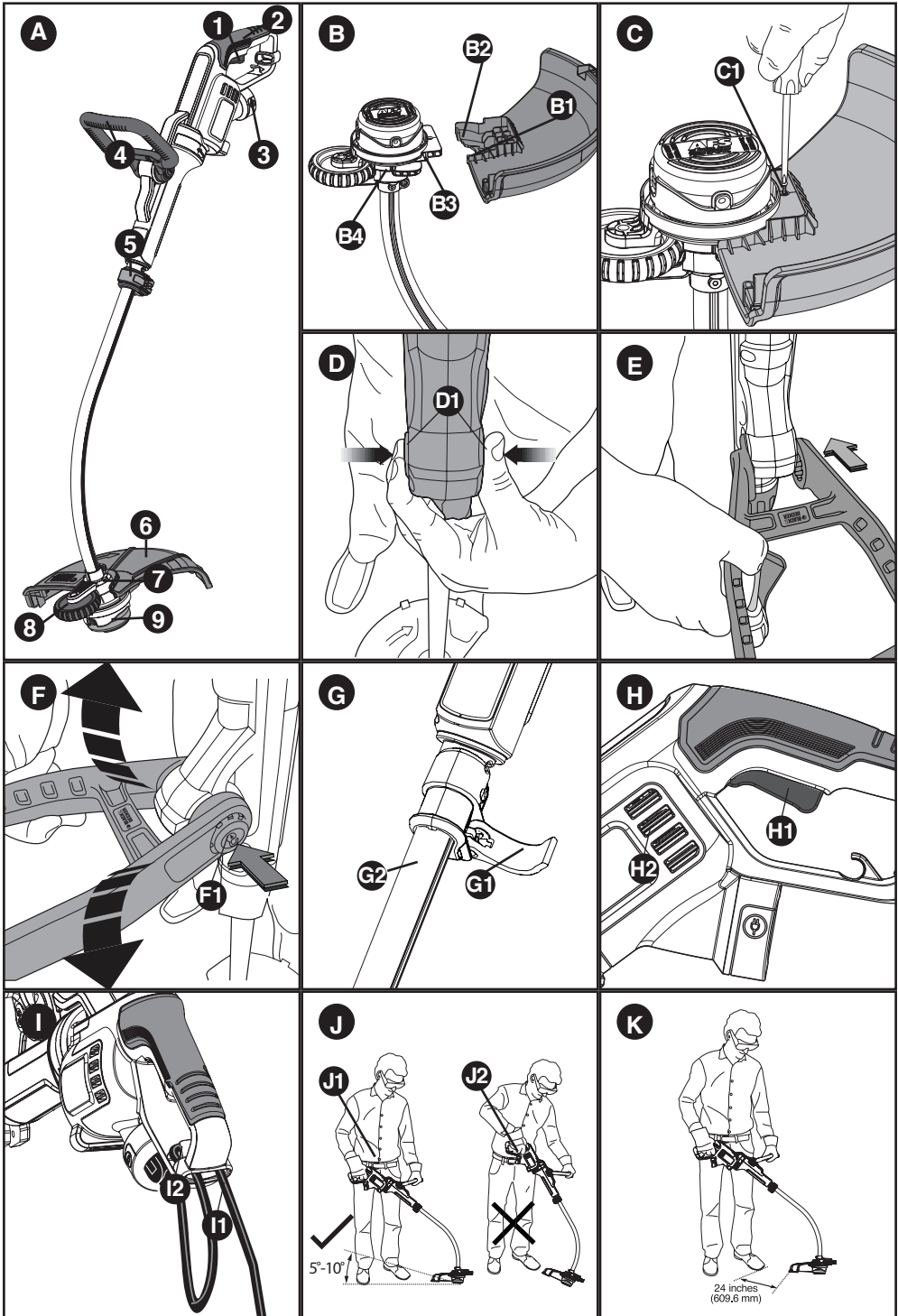
⚠CAUTION: To reduce the risk of electric shock, this equipment has a polarized plug (one blade is wider than the other) and will require the use of a polarized extension cord. The trimmer plug will fit into a polarized extension cord only one way. If the plug does not fit fully into the extension cord, reverse the plug. If the plug still does not fit, obtain a correct polarized extension cord. A polarized extension cord will require the use of a polarized wall outlet. This plug will fit into the polarized wall outlet only one way. If the plug does not fit fully into the wall outlet, reverse the plug. If the plug still does not fit, contact a qualified electrician to install the proper wall outlet. Do not change the equipment plug, extension cord receptacle, or extension cord plug in any way.

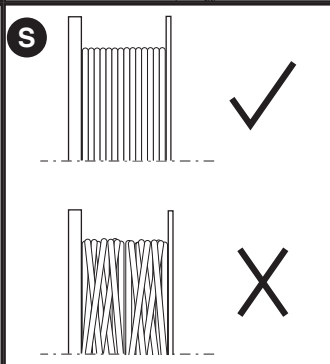
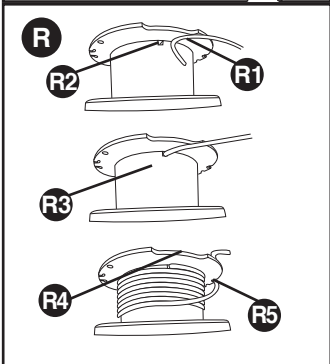
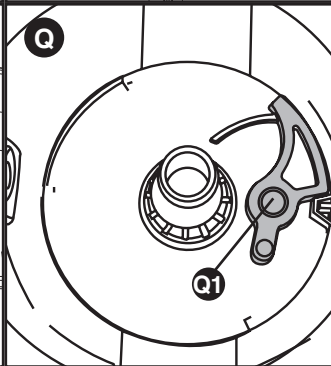
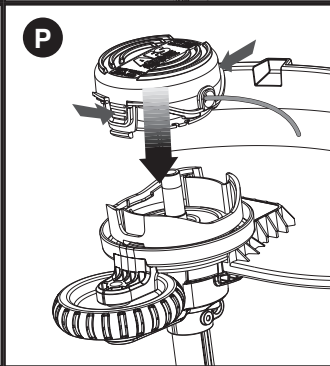
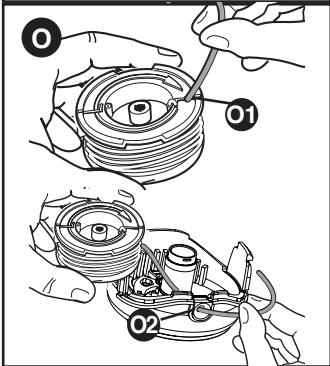
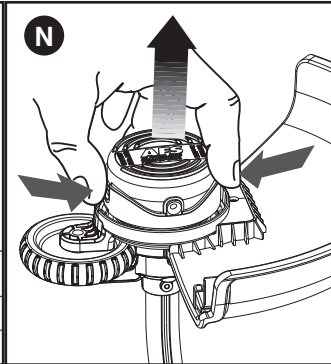
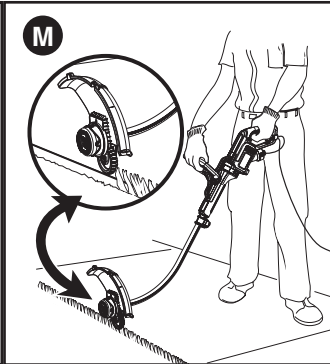
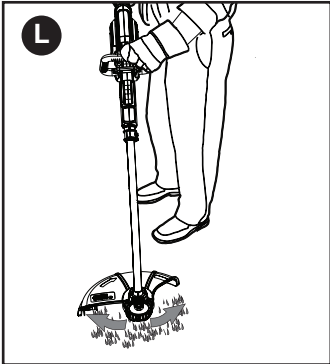
SAFETY WARNINGS AND INSTRUCTIONS: EXTENSION CORDS

⚠WARNING: To reduce the risk of electric shock, use only with an extension cord intended for outdoor use, such as an extension cord of cord type SW-A, SOW-A, STW-A, STOW-A, SJW-

A, SJOW-A, SJTW-A. or SJTOW-A. Make sure your extension cord is in good condition. When using an extension cord, be sure to use one heavy enough to carry the current your product will draw. An undersized cord will cause a drop in line voltage resulting in loss of power and overheating. The table shows the correct size to use depending on cord length and nameplate ampere rating. If in doubt, use the next heavier gauge. The smaller the gauge number, the heavier the cord. If the extension will be used outside, the cord must be suitable for outdoor work. The letters "WA" on the cord jacket indicate that the cord is suitable for outdoor use.

Volts		Minimum Gauge for Cord Sets			
		Total Length of Cord in Feet			
120V		0-25 (0-7,6m)	26-50 (7,6-15,2m)	51-100 (15,2-30,4m)	101-150 (30,4-45,7m)
Ampere Rating		American Wire Gauge			
More Than	Not more Than				
6	- 10	18	16	14	12





FUNCTIONAL DESCRIPTION (FIGURE A)

- | | | |
|--------------------------|---------------------|---------------------|
| 1. On/Off Trigger Switch | 4. Auxillary Handle | 7. Edge Guide Wheel |
| 2. Handle | 5. Collar | 8. Guard |
| 3. Power Cord Plug | 6. Motor Housing | 9. Spool |

ASSEMBLY

ASSEMBLY TOOLS REQUIRED (NOT SUPPLIED): Phillips Screwdriver

⚠WARNING: UNPLUG THE TRIMMER BEFORE ATTEMPTING TO ATTACH THE GUARD, EDGE GUIDE OR HANDLE. NEVER OPERATE TOOL WITHOUT GUARD FIRMLY IN PLACE. THE GUARD MUST ALWAYS BE ON THE TOOL TO PROTECT THE USER.

ATTACHING THE GUARD (FIGURES B, C)

⚠WARNING: NEVER OPERATE TRIMMER WITHOUT GUARD FIRMLY IN PLACE.

The guard must always be properly attached on the appliance to protect the user.

- Remove the screw from the guard.
- Keeping the guard square to the trimmer head slide it into place until the retaining tab clicks into place (Ensure that the guide rails (B1) on the guard (B2) are correctly aligned with the guide rails (B3) on the trimmer head (B4) (figure B).
- Secure the guard with the screw (C1) (figure C).

ATTACHING THE AUXILIARY HANDLE (FIGURES D, E)

- To attach the handle, press in on the buttons (D1) on both sides of the upper housing as shown in figure D.
- Position the handle as shown in figure E. Partially push the handle on so that it will hold the buttons in when you release them with your hand.
- Push the handle completely onto the housing and position it slightly until it “snaps” into place (figure E).
- To adjust the handle up or down, press in on the button (F1) and raise or lower the handle.
- The handle should be adjusted so that your front arm is straight when the trimmer is in the working position.

ADJUSTING THE HEIGHT OF THE APPLIANCE (FIGURE G)

This appliance has a telescopic mechanism, allowing you to set it to a comfortable height.

To adjust the height setting:

- Release the height adjust locking clamp (G1).
- Gently pull the tube (G2) up or down to the desired height.
- Close the height adjust locking clamp (G1).

OPERATION

⚠WARNING: Always use proper eye protection that conforms to ANSI Z87.1 (CAN/CSA Z94.3) while operating this power appliance.

⚠WARNING: Disconnect the plug from the power source before making any assembly, adjustments or changing accessories. Such preventive safety measures reduce the risk of starting the trimmer accidentally.

⚠CAUTION: Before you begin trimming, only use the appropriate type of cutting line.

⚠CAUTION: Inspect area to be trimmed and remove any wire, cord, or string-like objects which could become entangled in the rotating line or spool. Be particularly careful to avoid any wire which

might be bent outwardly into the path of the trimmer, such as barbs at the base of a chain link fence.

SWITCHING ON AND OFF (FIGURE H)

⚠WARNING: Never attempt to lock the trigger switch in the on position.

- To switch the trimmer on, squeeze the trigger switch (H1).
- To switch the trimmer off, release the trigger switch (H1).

EXTENSION CORD RETAINER (FIGURE I)

⚠WARNING: Ensure the trigger switch is not engaged to reduce the risk of starting the appliance accidentally. A cord retainer is incorporated into the rear of the handle on the power head.

- To use the cord retainer as shown in figure I, feed the extension cord into the cord retainer housing (I1). Loop the extension cord around the cord retainer (I2) so it rests in the cord retainer. Then plug the extension cord into the power head.

OPERATING THE TRIMMER (FIGURES J, K)

⚠WARNING: Disconnect the plug from the power source before making any adjustments.

- Connect power cord plug to an electric outlet, then connect power cord to the trimmer.
- Maintain a cutting angle of 5° to 10° as shown in figure J1. Do not exceed 10° (figure J2). Cut with the tip of the line.
- Maintain a minimum distance of 24 inches (609.6 mm) between the guard and your feet as shown in figure K. To achieve this distance adjust the overall height of the trimmer as shown in figure G.

CHOOSING TRIMMING OR EDGING MODE (FIGURES L, M)

⚠WARNING: Disconnect the plug from the power source before making any assembly, adjustments or changing accessories. Such preventive safety measures reduce the risk of starting the appliance accidentally.

- The appliance can be used in trimming mode as shown in figure L or in edging mode to trim overhanging grass along lawn edges and flower beds as shown in figure M.

TRIMMING MODE

⚠CAUTION: The wheeled edge guide should only be used when in the edging mode.

For trimming, the trimmer head should be in the position shown in figure L. If it is not:

- Disconnect the plug from the power source.
- Release the height adjust locking clamp (G1).
- Hold the trimmer with one hand on the auxiliary handle and one hand on the tube near the trimmer head. Then rotate the tube and head clockwise.
- Close the height adjust locking clamp.
- With the unit on, slowly swing the trimmer side to side as shown in Figure L.

NOTE: The tube and head will only rotate in one direction.

EDGING MODE

For edging, the trimmer head should be in the position shown in figure M. If it is not:

- Disconnect the plug from the power source.
- Release the height adjust locking clamp (G1).
- Hold the trimmer with one hand on the auxiliary handle and one hand on the tube near the trimmer head. Then rotate the tube and head counterclockwise.
- Close the height adjust locking clamp.

NOTE: The tube and head will only rotate in one direction.

NOTE: The Auto Feed System may not operate correctly if wheeled edge guide is not used.

EDGING

Optimum cutting results are achieved on edges deeper than 2 inches (50 mm)

- Do not use this appliance to create edges or trenches.
- Using the edging wheel, guide the appliance as shown in figure M.
- Position the edging wheel on the edge of the sidewalk or abrasive surface so the cutting line is over the grass or dirt area to be edged.

NOTE: You will experience faster than normal cutting line wear if the edging wheel is positioned too far from the edge with the cutting line positioned over the sidewalk or abrasive surface.

- To make a closer cut, slightly tilt the appliance.

CUTTING LINE / LINE FEEDING

⚠CAUTION: Only use the appropriate type of cutting line.

Use Black+Decker replacement spool Model No. SF-080.

NOTE: USE ONLY .080 inch (2.0 mm) DIAMETER ROUND NYLON MONO FILAMENT LINE. Do not use serrated or heavier gauge line, as they will overload the motor and cause overheating. Your trimmer uses .080 inch (2.0 mm) diameter, ROUND nylon line. During use, the tips of the nylon lines will become frayed and worn and the special self feeding spool will automatically feed and trim a fresh length of line. DO NOT BUMP unit on ground in attempt to feed line or for any other purposes. Cutting line will wear faster and require more feeding if the cutting or edging is done along sidewalks or other abrasive surfaces or heavier weeds are being cut.

CLEARING JAMS AND TANGLED LINE (FIGURES N, O, P)

⚠WARNING: Disconnect the plug from the power source before making any assembly, adjustments or changing accessories. Such preventive safety measures reduce the risk of starting the appliance accidentally. From time to time, especially when cutting thick or stalky weeds, the line feeding hub may become clogged with sap or other material and the line will become jammed as a result. To clear the jam, follow the steps listed below.

- Disconnect the plug from the power source.
- Press the release tabs on the line spool cap, as shown in figure N and remove the cap by pulling it straight off.
- Pull the nylon line spool out and clear any broken line or cutting debris from the spool area.
- Place spool and line into spool cap with line “parked” in slots provided as shown in figure O1.
- Insert the line end through the appropriate hole in the spool cap. Pull slack line through until it pulls out of the holding slots as shown in figure O2.
- Press the spool down GENTLY and rotate it until you feel it drop into place and then push to snap into place. (When in place, the spool will turn a few degrees left and right freely).
- Take care to keep the line from becoming trapped under the spool.
- Align the spool cap tabs with the slots on the spool housing (figure P).
- Snap the spool cap back on as shown in figure P by depressing lugs and pressing into spool housing.

NOTE: Make sure that cover is fully positioned, listen for two audible clicks to ensure both lugs are correctly located. Power the appliance on. In a few seconds or less you'll hear the nylon line being cut automatically to the proper length.

⚠WARNING: The use of any accessory not recommended by Black+Decker for use with this appliance could be hazardous.

REPLACING THE SPOOL (FIGURES N, O, P, Q)

⚠WARNING: Disconnect the plug from the power source before making any assembly, adjustments or changing accessories. Such preventive safety measures reduce the risk of starting the appliance accidentally.

⚠CAUTION: To avoid appliance damage, if the cutting line protrudes beyond the trimming blade, cut it off so that it just reaches the blade.

- Depress the tabs and remove the spool cap from the spool housing on the trimmer head figure N.
- Grasp empty spool with one hand and spool cap with other hand and pull spool out.
- Replace spool with Black+Decker model # SF-080.
- Remove any dirt and grass from the spool and spool cap.
- If lever (Q1) in base of spool cap becomes dislodged, replace in correct position before inserting a new spool.
- Unfasten the end of the cutting line and guide the line into the eyelet (O2).
- Press the spool GENTLY into the spool cap and rotate it until you feel it drop into place. Then push to snap into place. (When in place, the spool will turn a few degrees left and right freely).
- Take care to keep the line from becoming trapped under the spool.
- Align the spool cap tabs with the slots on the spool housing (figure P).
- Snap the spool cap back on as shown in figure P by depressing lugs and pressing into spool housing.

NOTE: The line should protrude approximately 4-13/16 inches (122mm) from the housing.

REWINDING SPOOL (FIGURES R, S)

⚠WARNING: Disconnect the plug from the power source before making any assembly, adjustments or changing accessories. Such preventive safety measures reduce the risk of starting the appliance accidentally.

NOTE: USE ONLY .080 inch (2.0 mm) DIAMETER ROUND NYLON MONO FILAMENT LINE. Do not use serrated or heavier gauge line, as they will overload the motor and cause overheating.

NOTE: Hand wound spools from bulk line are likely to become tangled more frequently than Black+Decker factory wound spools. For best results, factory wound spools are recommended.

To rewind spool, follow the steps below:

- Remove the empty spool from the appliance as described in “REPLACING THE SPOOL”.
- Make a fold at the end of the cutting line at about 3/4 inch (19mm)(R1).
- Insert the folded cutting line into the upper hole inside of the spool (R2) as shown in figure R3.
- Wind the cutting line onto the spool in the direction of the arrow on the spool. Make sure to wind the line on neatly and in layers. Do not crisscross figure S.
- When the wound cutting line reaches the recesses (R4), cut the line and dock it in the spool line slots (R5) .
- Fit the spool cap onto the appliance as described in “REPLACING THE SPOOL” (figures O, P).

TROUBLESHOOTING

Problem

- Unit will not start.

Possible Cause

- Cord not plugged in.
- Circuit fuse is blown.

Possible Solution

- Plug appliance into a working outlet.
- Replace circuit fuse. (If the product repeatedly causes the circuit fuse to blow, discontinue use immediately and have it serviced at a Black+Decker service center or authorized servicer.)
- Reset circuit breaker. (If the product repeatedly causes the circuit breaker to trip, discontinue use immediately and have it serviced at a Black+Decker service center or authorized servicer.)
- Have cord or switch replaced at Black +Decker Service Center or Authorized Servicer

- Cutting line is consumed quickly in edge mode.

- Edging too far from edge of sidewalks or abrasive surfaces. The cutting line is hitting the sidewalk or abrasive surface.

- Ensure edging wheel is on the edge of the surface and the cutting line is positioned in the grass or dirt area to be edged not the sidewalk or other abrasive surface.

MAINTENANCE

⚠WARNING: Disconnect the plug from the power source before performing any maintenance.

⚠CAUTION: To assure product SAFETY and RELIABILITY, repairs, maintenance and adjustment should be performed by authorized service centers or other qualified service organizations, always using identical replacement parts.

1. Keep the air intake slots clean to avoid overheating.
2. Your trimmer line can dry out over time. To keep your line in top condition, store spare pre-wound spools or bulk line in a plastic, sealable bag with a tablespoon of water.
3. Plastic parts may be cleaned by using a mild soap and a damp rag.
4. The line cutter on the edge of the guard can dull over time. It is recommended you periodically touch-up the sharpness of the blade with a file.

This device complies with part 15 of the FCC rules. Operation is subject to the following two conditions: (1) This device may not cause harmful interference, and (2) this device must accept any interference received, including interference that may cause undesired operation.

NOTE: This equipment has been tested and found to comply with the limits for a Class B digital device, pursuant to Part 15 of the FCC Rules. These limits are designed to provide reasonable

protection against harmful interference in a residential installation. This equipment generates, uses and can radiate radio frequency energy and, if not installed and used in accordance with the instructions, may cause harmful interference to radio communications. However, there is no guarantee that interference will not occur in a particular installation.

If this equipment does cause harmful interference to radio or television reception, which can be determined by turning the equipment off and on, the user is encouraged to try to correct the interference by one or more of the following measures:

- Reorient or relocate the receiving antenna.
- Increase the separation between the equipment and receiver.
- Connect the equipment into an outlet on a circuit different from that to which the receiver is connected.
- Consult the dealer or an experienced radio/TV technician for help.

Changes or modifications to this unit not expressly approved by the party responsible for compliance could void the user's authority to operate the equipment. This Class B digital apparatus complies with Canadian ICES-003.