

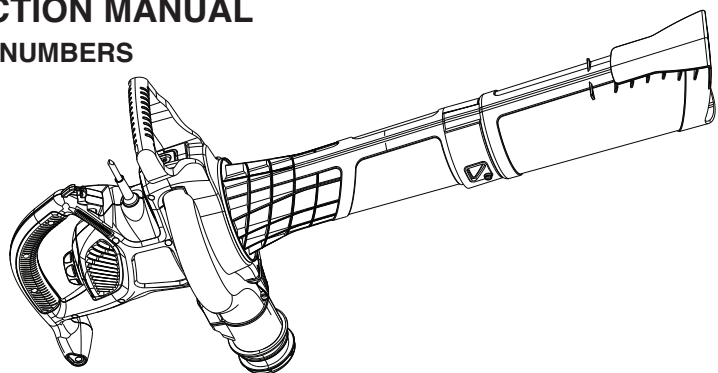
# BLACK+DECKER™

## BLOWER VACUUMS

### INSTRUCTION MANUAL

#### CATALOG NUMBERS

**BV5600**  
**BV6000**  
**BV6600**



Thank you for choosing BLACK+DECKER!

PLEASE READ BEFORE RETURNING THIS PRODUCT FOR ANY REASON.

SAVE THIS MANUAL FOR FUTURE REFERENCE.

### SAFETY GUIDELINES - DEFINITIONS

It is important for you to read and understand this manual. The information it contains relates to protecting **YOUR SAFETY** and **PREVENTING PROBLEMS**. The symbols below are used to help you recognize this information.

**⚠ DANGER:** Indicates an imminently hazardous situation which, if not avoided, will result in death or serious injury.

**⚠ WARNING:** Indicates a potentially hazardous situation which, if not avoided, could result in death or serious injury.

**⚠ CAUTION:** Indicates a potentially hazardous situation which, if not avoided, may result in minor or moderate injury.

**NOTICE:** Used without the safety alert symbol indicates potentially hazardous situation which, if not avoided, may result in property damage.

## IMPORTANT SAFETY WARNINGS & INSTRUCTIONS

### ⚠ WARNING: TO REDUCE RISK OF INJURY:

- Before any use, be sure everyone using this unit reads and understands all safety instructions and other information contained in this manual.
- Save these instructions and review frequently prior to use and in instructing others.
- Do not point unit discharge at self or bystanders.
- Keep long hair and loose clothing away from openings and moving parts.

**⚠ WARNING:** When using an electric tool, basic safety precautions should always be followed to reduce risk of fire, electric shock, and personal injury, including the following.

**⚠ WARNING:** Some dust created by this product contains chemicals known to the State of California to cause cancer, birth defects or other reproductive harm. Some examples of these chemicals are:

- compounds in fertilizers
- compounds in insecticides, herbicides and pesticides
- arsenic and chromium from chemically treated lumber

To reduce your exposure to these chemicals, wear approved safety equipment such as dust masks that are specially designed to filter out microscopic particles.

**READ ALL AND UNDERSTAND ALL INSTRUCTIONS BEFORE USING.**

## GENERAL SAFETY WARNINGS AND INSTRUCTIONS FOR ALL TOOLS

**⚠ WARNING:** Read all safety warnings and all instructions. Failure to follow the warnings and instructions may result in electric shock, fire and/or serious injury.

- **ALWAYS WEAR EYE PROTECTION** – Wear safety glasses or goggles at all times when this unit is in use. Also use face or dust mask. Safety glasses are available at extra cost at your local BLACK+DECKER Service Center or authorized service facility.
- **DO NOT** place outlet of blower/vac near eyes or ears when operating.
- **STORE IDLE UNITS.** When not in use, the unit should be stored in a dry, high or locked-up place - out of reach of children.
- **DON'T OVERREACH.** Keep proper footing and balance at all times.
- **MAINTAIN UNIT WITH CARE.** Keep unit clean for best and safest performance. Follow instructions for proper maintenance.
- **DO NOT** attempt to repair the blower/vac. To assure product safety and reliability, repairs, maintenance, and adjustments should be performed by BLACK+DECKER service centers or authorized service centers, always using BLACK+DECKER replacement parts.
- **DO NOT** operate blower/vac in a gaseous or explosive atmosphere. Motors in these units normally spark, and

- the sparks might ignite fumes.
- **AVOID DANGEROUS ENVIRONMENTAL CONDITIONS** – Do not use electric units in damp or wet locations. Don't use the unit in the rain.
- **STAY ALERT** - Watch what you are doing. Use common sense. Do not operate unit when you are tired.
- **USE THE RIGHT UNIT** – Do not use this unit for any job except that for which it is intended.
- **USE EXTRA CARE** when cleaning on stairs.
- **DO NOT** allow to be used as a toy. Close attention is necessary when used by or near children. Not recommended for use by children.
- **DO NOT** attempt to clear clogs from unit without first unplugging it.
- **USE ONLY** as described in this manual. Use only manufacturer's recommended attachments.
- **DO NOT** put any objects into openings. Do not use with any opening blocked; keep free of dust, lint, hair and everything that may reduce air flow.
- **KEEP** hair, loose clothing, fingers, and all parts of body away from openings and moving parts.
- **DO NOT** immerse any part of the unit in liquid.
- **KEEP CHILDREN, BYSTANDERS AND ANIMALS AWAY** from the work area a minimum of 30 feet (10 meters) when starting or operating the unit.

- **INSPECT THE AREA** before using the unit. Remove all debris and hard objects such as rocks, glass, wire, etc. that can ricochet, be thrown, or otherwise cause injury or damage during operation.

**⚠ WARNING:** To reduce the risk of electrical shock; do not expose to rain, do not use on wet surfaces. Store indoors.

**⚠ WARNING:** Cut Hazard. Turn off and unplug unit, then wait until fan stops or at least 10 seconds before removing the blower or vacuum tube assemblies.

## SAVE THESE INSTRUCTIONS.

### Servicing of Double Insulated Appliances

Your Blower/Vac is double-insulated to give you added safety. In a double insulated appliance, two systems of insulation are provided instead of grounding. No grounding means is provided on a double insulated appliance, nor should a means for grounding be added to the appliance. Servicing a double insulated appliance requires extreme care and knowledge of the system and should be done only by qualified service personnel. Replacement parts for a double insulated appliance must be identical to the parts they replace. A double insulated appliance is marked with the words double insulated or "double insulation". The symbol (square within a square) may also be marked on the appliance.

### ⚠ Safety Rules and Instructions: Extension Cords

Double insulated tools have 2-wire cords and can be used with 2-wire or 3-wire extension cords. Only round jacketed extension cords should be used, and we recommend that they be listed by Underwriters Laboratories (U.L.) (C.S.A. in Canada). If the extension will be used outside, the cord must be suitable for outdoor use. Any cord marked as outdoor can also be used for indoor work. An extension cord must have adequate wire size (AWG or American Wire Gauge) for safety, and to prevent loss of power and overheating. The smaller the gauge number of the wire, the greater the capacity of the cable, that is 16 gauge has more capacity than 18 gauge. When using more than one extension to make up the total length, be sure each individual extension contains at least the minimum wire size. Before using an extension cord, inspect it for loose or exposed wires, damaged insulation, and defective fittings. Make any needed repairs or replace the cord if necessary.

To determine the minimum wire size required, refer to the chart:

Volts	Minimum Gauge for Cord Sets			
	Total Length of Cord in Feet			
120V	0-25 (0-7.6m)	26-50 (7.6-15.2m)	51-100 (15.2-30.4m)	101-150 (30.4-45.7m)
240V	0-50 (0-15.2m)	51-100 (15.2-30.4m)	101-200 (30.4-60.9m)	101-300 (60.9-91.4m)
		Ampere Rating American Wire Gauge		
More Than	Not more Than			
0 - 6	18	16	16	14
6 - 10	18	16	14	12
10 - 12	16	16	14	12
12 - 16	14	12	Not Recommended	

### ⚠ Safety Rules and Instructions: Polarized Plug

To reduce the risk of electric shock, this equipment has a polarized plug (one blade is wider than the other). This equipment must be used with a suitable polarized 2 wire or 3 wire extension cord. Polarized connections will fit together only one way. Make sure that the receptacle end of the extension cord has large and small blade slot widths. If the plug does not fit fully into the extension cord, reverse the plug. If it still does not fit, obtain a suitable extension cord. If the extension cord does not fit fully into the outlet, contact a qualified electrician to install the proper outlet. Do not change the tool plug or extension cord in any way.

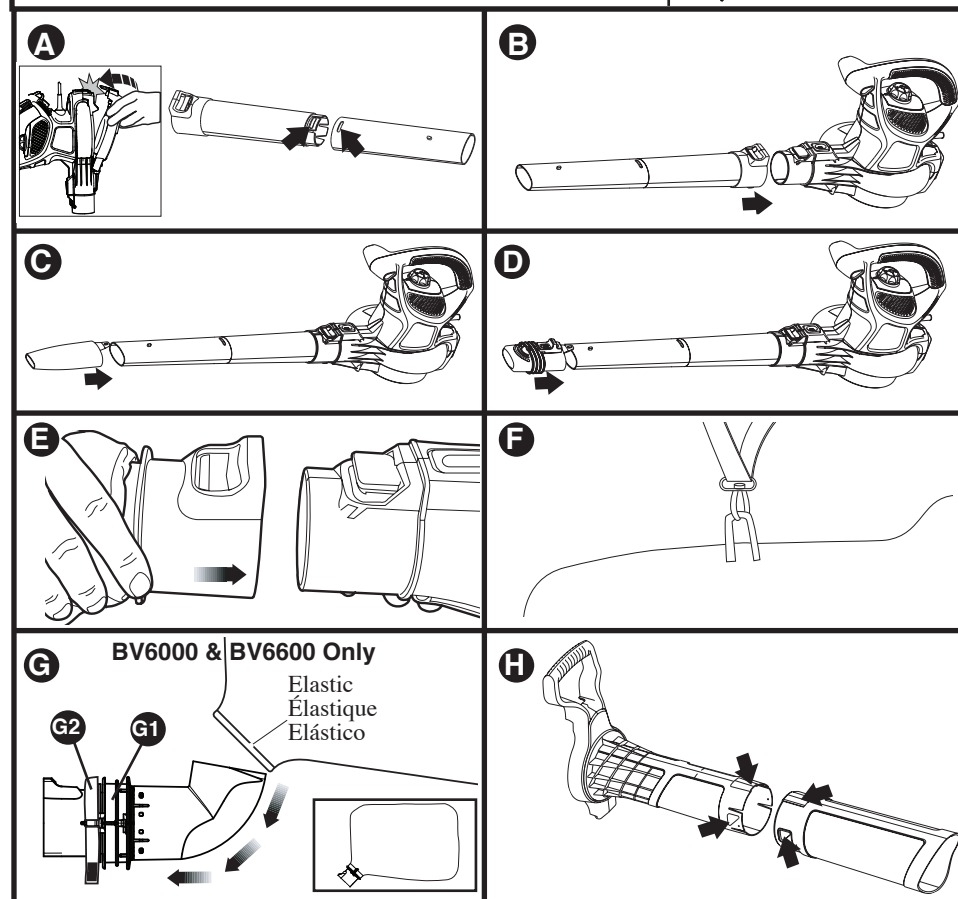
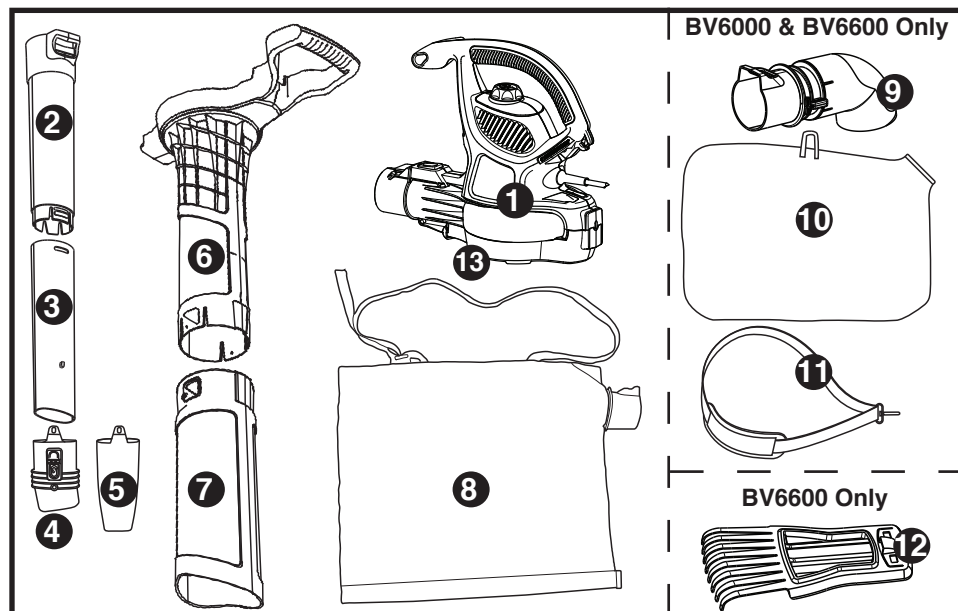
### Symbols

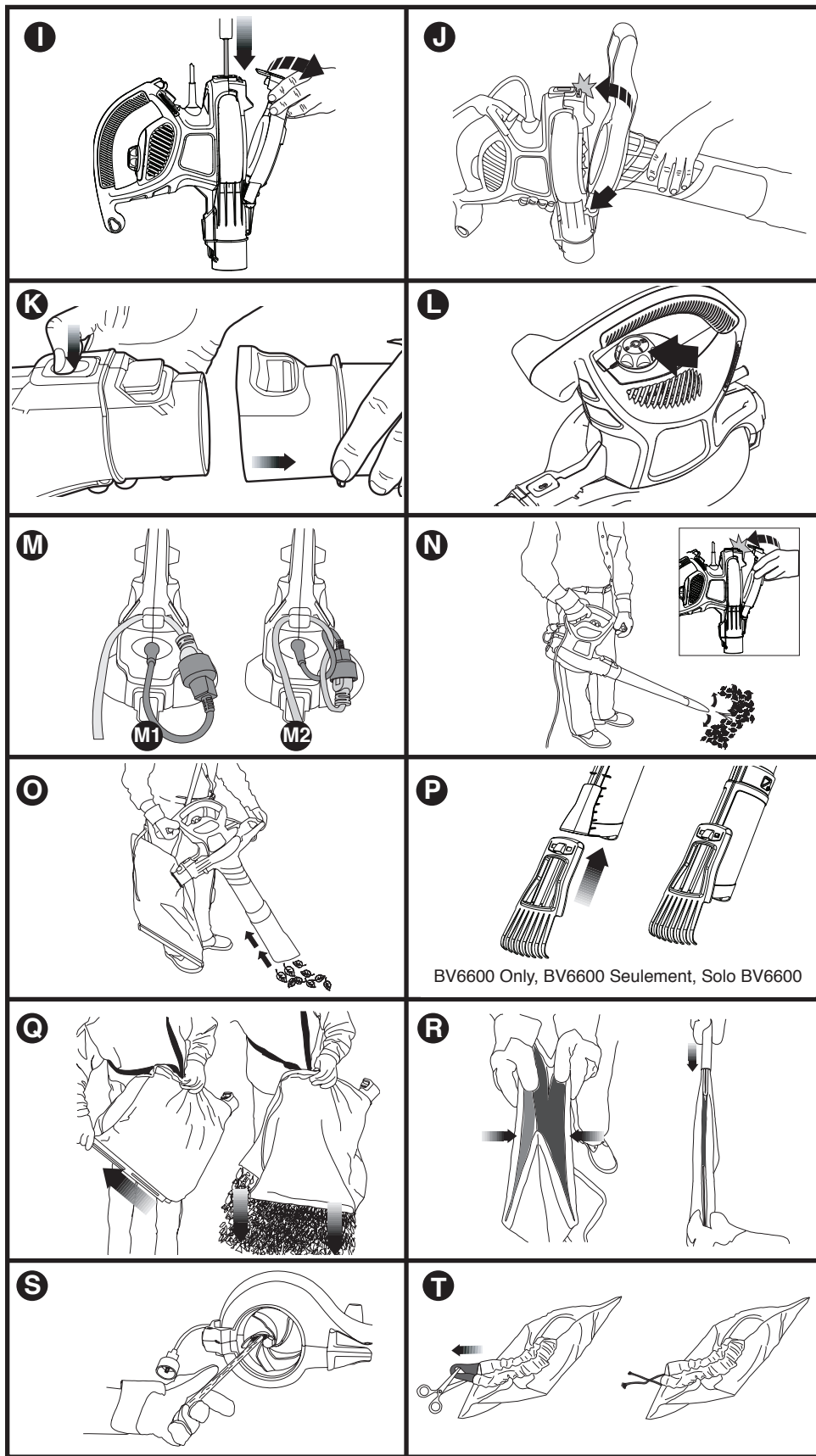
The label on your tool may include the following symbols. The symbols and their definitions are as follows:

- V.....volts
- A.....amperes
- Hz.....hertz
- W.....watts
- min.....minutes
- ~ or AC.....alternating current
- or DC...direct current
- n<sub>0</sub>.....no load speed
- Ⓛ.....Class I Construction (grounded)
- Ⓜ.....earthing terminal
- ⚠.....safety alert symbol
- Ⓜ.....Class II Construction (double insulated)
- .../min or rpm...revolutions or reciprocation per minute
- 📖.....Read instruction manual before use
- 👤.....Use proper respiratory protection
- 👁.....Use proper eye protection
- 👂.....Use proper hearing protection

## FUNCTIONAL DESCRIPTION

1. Power head
2. Upper blow tube
3. Lower blow tube
4. Leaf blaster attachment (BV5600)
5. Concentrator
6. Upper vac tube
7. Lower vac tube
8. Reusable collection bag
9. Diffuser (BV6000, BV6600)
10. Disposable bag (BV6000, BV6600)
11. Detachable strap (BV6000, BV6600)
12. Rake (BV6600)
13. Fan cover





## ASSEMBLY

**⚠ WARNING:** Before attempting any of the assembly steps below, ensure product is switched off and disconnected from the power supply.

### ASSEMBLY FOR BLOW MODE

**BLOW TUBE ASSEMBLY (FIGURES A-D)**

- Fit fan cover (13) as shown in **figure A** until audible click is heard.

**⚠ CAUTION:** CUT HAZARD. Ensure fan cover (13) is securely seated and latched into position.  
**NOTE:** Unit will not operate in blow mode without fan cover in place. Align the upper and lower tubes as shown in **figure A**.

- Push the lower tube firmly into the upper tube, until the tubes click into place.
- Blow tubes must be assembled to the power head before use.
- Never operate without both lower and upper tubes assembled.
- In the interest of safety, it is not intended for the tubes to be separated once assembled.
- Push the tube assembly onto the power head until it is in the fully locked in position and an audible click is heard. (**figure B**).

**⚠ CAUTION:** CUT HAZARD. Ensure the tube assembly is securely seated and latched into position.

- Use the air concentrator attachment to target air flow to a tighter area. Add the attachment to the assembly as shown in **figure C**. Push on until hole in tab engages raised post on tube.
- Use the leaf blaster attachment to rapidly move air back and forth to remove stubborn debris from grassy areas. Add the tube to the assembly as shown in **figure D**. Push on until hole in tab engages raised post on tube. To lock the leaf blaster attachment and reduce the back and forth motion, push forward on the locking tab.

### ASSEMBLY FOR VACUUM MODE REUSABLE BAG (FIGURE E)

- Attach the shoulder collection bag to the power head as shown in **figure E**.
  - If needed, attach detachable strap to bag as shown in **figure F**.
- NOTE:** BV6000 and BV6600 are supplied with a detachable strap that can be used

with both reusable and disposable bags.

### DISPOSABLE BAG (FIGURE G) - BV6000 & BV6600 ONLY

- NOTE:** Disposable bags are designed for single use only. Do not empty and reuse.  
**NOTE:** Store bags in a cool, dry location, do not expose to rain or wet environments.
- Attach disposable bag to diffuser as shown in **figure G**.
  - Slide opening of the bag around the diffuser so the elastic part of the bag sits inside the grooves of the collar (**G1**).
  - Wrap the diffuser strap (**G2**) around the opening of the bag and fasten the velcro to securely attach the bag to the diffuser.
  - Attach the diffuser to the power head as shown in **figure E**.
  - Attach detachable strap to bag as shown in **figure F**.

### VACUUM TUBE ASSEMBLY (FIGURES H-J)

- Vacuum tubes must be assembled together before use.
- Align the notches and the triangles on upper and lower tubes. (**figure H**)
- Push the lower tube firmly into the upper tube, until the triangles click into place. (Never operate apart).
- In the interest of safety, it is not intended for the tubes to be separated once assembled.
- Remove the fan cover (13) from the bottom of the power head by inserting a screwdriver/Allen key in the slot on the end of the fan cover (located on the back of the power head) to actuate the internal release, and remove the fan cover (**figure I**).
- Attach the vacuum tube assembly to the power head (**figure J**) by locating the assembly as indicated by arrow, then pivot about this point until the locking/release catch is fully engaged.

### REMOVING BLOW TUBE, VAC TUBE OR COLLECTION BAG (FIGURE I & K)

- To remove the blow tube, vac tube or shoulder collection bag, depress the release button on the power head and pull straight off (**figure I & K**).

## OPERATION

**USE AS A BLOWER:** ALWAYS WEAR SAFETY GLASSES. WEAR A FILTER MASK IF THE OPERATION IS DUSTY. USE OF RUBBER GLOVES AND SUBSTANTIAL FOOTWEAR IS RECOMMENDED

**WHEN WORKING OUTDOORS. FOR HOUSEHOLD USE ONLY.**

- ⚠ WARNING: CUT HAZARD.** When turning the tool off for tube installation or any other reason, wait 10 seconds for the fan to stop rotating before disassembly.
- Do not use in vacuum mode without the vacuum tubes and collection bag in place.
  - Always switch off and remove the plug from the electrical supply when:
    - Changing from blower to vacuum or back.
    - The power supply cord has become damaged or entangled.
    - You leave blower/vac unattended.
    - Clearing a blockage.
    - Checking, adjusting, cleaning or working on blower/vac.
  - Use blower/vac only in daylight or good artificial light.

### ON/OFF SWITCH (FIGURE L) BV5600 & BV6000

Your blower/vac is fitted with a two speed switch located on the top of the power head below the handle.

- To use in low speed, rotate the knob clockwise to Position I. To use in high speed, rotate the knob clockwise to Position II.
- To turn tool OFF, rotate the knob counterclockwise to the off position (0).

### CORD RETAINER (FIGURE M)

- A cord retainer is incorporated into the rear of the power head. It can be used in two different ways:
  - To use the cord retainer as shown in **figure M1**, hook the extension cord under the retainer. Then plug the cord from the power head into the extension cord.
  - To use the cord retainer as shown in **figure M2**, loop the extension cord over the power head cord and plug the two ends into each other. Then hook the extension cord under the retainer.

### BV6600

Your blower/vac is fitted with a variable speed switch located on the top of the power head below the handle.

- To turn the tool ON, rotate the knob clockwise. The further the knob is rotated, the higher the air speed.
- To turn tool OFF, rotate the knob counterclockwise to the off position (0).

### USE AS A BLOWER (FIGURE N)

- ⚠ WARNING:** Ensure product is switched off and disconnected from the power supply.
- Fit fan cover (13) as shown in **figure A** until audible click is heard.

### ⚠ CAUTION: CUT HAZARD.

- Ensure fan cover (13) is securely seated and latched into position.
- Attach the blow tube assembly to the power head as shown in **figure B**.
  - Connect the cord on the power head to the power supply (**figure M**).
  - Hold the blow tube approximately 7 inches (180mm) above the ground, turn the blower/vac on and using a sweeping motion from side to side, advance slowly keeping the accumulated debris/leaves in front of you as shown in **figure N**.
  - Once you have blown the debris/leaves into a pile, you can convert to vacuum mode to collect the debris.
  - Using the air concentrator will help remove matted debris and leaves.
  - Using the leaf blaster attachment will help move air back and forth to remove stubborn debris from grassy areas.

### USE AS A VACUUM:

#### VACUUM MODE (FIGURE O)

- ⚠ WARNING:** Ensure product is switched off and disconnected from the power supply.
- To fit the leaf collection bag assembly to product:
- Remove blow tube.
  - To assemble the disposable bag to the power head refer to the "Assembly" section.
  - Remove the fan cover (13) from the bottom of the power head by inserting a screwdriver/Allen key in the slot on the end of the fan cover (located on the back of the power head), and removing the fan cover.
  - Attach the vacuum tube assembly to the power head (**figure J**) by locating the assembly as indicated by arrow, then pivot about this point until the locking/release catch is fully engaged and an audible click is heard.

### ⚠ CAUTION: CUT HAZARD.

- Ensure the vacuum tube assembly is securely seated and latched into position.
- Connect the cord on the power head to the power supply (**figure M**).
  - Position the tube slightly above the debris/leaves. Turn the blower/vac on, then using a sweeping motion the debris/leaves will be sucked up the tube, mulched and deposited into the collection bag (**figure O**).

As the bag fills the power of the suction will decrease, turn the blower/vac off and unplug from power supply.

### EMPTYING REUSABLE BAG (FIGURES Q-R)

**⚠ CAUTION: NEVER REMOVE THE COLLECTION BAG WITHOUT FIRST TURNING OFF AND**

**UNPLUGGING THE VACUUM.**

### BV6600

- Empty the reusable leaf collection bag by sliding the retaining bar off the bottom of the bag as shown in **figure Q**.
- NOTE:** If the suction decreases and the bag is not full, the vacuum tube is probably clogged with debris. Turn off and unplug the blower/vac and clear the tube before continuing.
- To reattach the retaining bar, close the bottom of the shoulder bag by folding the bi-folds flat as shown in **figure R**. Slide the retaining bar over the closed bag.

### BV5600 & BV6000:

- As bag fills, suction power will decrease. Switch off product and unplug from power supply. Unzip reusable bag to empty and re-zip before continuing to operate.
- DISPOSING OF DISPOSABLE BAG BV6000 & BV6600 (FIGURE T)**

**⚠ WARNING:** Do Not Burn. Do Not Re-use.

**NOTE:** Ensure elastic is removed before disposing of bag.

- To remove the disposable bag, undo the diffuser strap and slide the bag off of the diffuser.
- Pull elastic through the hole in the neck of the bag, cut the elastic, and remove it from the bag. Tie the rope tightly to ensure the bag is sealed before disposing of it (**figure T**).
- Place another disposable bag on the diffuser before using the blower/vac again.

### NOTES:

- Dispose off bag according to local regulations.
- Store in a cool, dry location, do not expose to rain or wet environments.
- Dispose of within 6 months of first use.

### Disposable Bag Components:

- NOTE:** Disposable bag is compostable.
- Fabric 100% Polyactic Acid
  - Thread 100% Cotton
  - Tie 3mm Hemp Rope

### RAKE (FIGURE P)

BV6600 is supplied with a rake to pull debris/leaves into piles for easier collection when using vacuum mode.

- Attach the rake accessory to the lower vac tube as shown in **figure P**.
- With the blower/vac off, use a simple raking motion to collect debris/leaves into a pile.
- Turn on unit to vacuum up the pile of debris/leaves.

## MAINTENANCE

### CLEANING AND STORAGE TURN OFF AND UNPLUG TOOL! (Unplug extension cord at power source.)

Use only mild soap and a damp cloth to clean the tool. Never let any liquid get inside the tool; never immerse any part of the tool into a liquid. Clean out any clippings which may have accumulated in the Blower/Vac. When used properly with dry leaves the fan chamber of your Blower/Vac should remain clean. If damp earth and debris are ingested some of the particles may build up on the inside of the fan chamber. If this happens the performance of the unit will decrease. This area can be cleaned out using a wooden stick as shown in **figure S** after disconnecting from the power source. Your Blower/Vac should be stored in a dry place.

**⚠ WARNING: SHOCK HAZARD. DO NOT POUR OR SPRAY WATER ON THE TOOL IN AN ATTEMPT TO CLEAN.**

Do not store the tool on or adjacent to fertilizers or chemicals. Such storage can cause rapid corrosion of the metal parts.

**IMPORTANT:** To assure product SAFETY and RELIABILITY, repairs, maintenance and adjustment (other than those listed in this manual) should be performed by authorized service centers or other qualified service personnel, always using identical replacement parts.

## ACCESSORIES

**⚠ WARNING:** The use of any accessory not recommended for use with this tool could be hazardous. Recommended accessories for use with your tool are available from your local dealer or authorized service center.

## TROUBLESHOOTING

### Problem

•Unit will not start.

### Possible Cause

- Fan cover or vac tube not installed.
- Cord not plugged in.
- Circuit fuse is blown.

### Possible Solution

- Install fan cover for blow mode or vac tube for vac mode.
- Plug tool into a working outlet.
- Replace circuit fuse. (If the product repeatedly causes the circuit fuse to blow, discontinue use immediately and have it serviced at a BLACK+DECKER service center or authorized servicer.)
- Reset circuit breaker. (If the product repeatedly causes the circuit breaker to trip, discontinue use immediately and have it serviced at a BLACK+DECKER service center or authorized servicer.)
- Have cord or switch replaced at BLACK+DECKER Service Center or Authorized Servicer.
- Unplug power cord. Remove vac tube. Refer to “Cleaning and Storage Section - Maintenance”.

• Circuit breaker is tripped.

• Cord or switch is damaged.

•Unit jammed or clogged.

• Debris blocking inlet/outlet or fan.