

# BINKS® 54-4458 BINKS 4 OZ. SLG GRAVITY FEED CUP ASSEMBLY

The Binks 4 ounce Gravity Feed Cup Assembly is designed to be used with Binks Cub SLG HVLP spray guns. Created from light-weight anodized aluminum, your 4 ounce cup will last for years with proper use. This Part Sheet describes use and cleaning of the cup.

### HOW TO USE THE CUP

To attach the 4 ounce cup to your Binks gun, simply screw the cup into the inlet port on your Cub SLG HVLP gun. See illustration.

**⚠ CAUTION**

Take care not to overtighten the cup so as not to damage the cup outlet. Also, do not attempt to remove the cup nut or cup outlet. If damage occurs to these parts or to the integrity of their fitting on the cup, the entire cup assembly must be replaced.

1. Fill the cup with fluid.
2. Attach the lid to the cup, creating a tight seal all the way around the cup's perimeter.
3. Close the lid cap by pressing down firmly until you hear a snap.

**⚠ WARNING**

Regarding solvent safety: Do not use open containers for storage or disposal of solvents, cloth or paper used for surface preparation or cleanup. Solvents contain volatile chemicals that are a cause of pollution and a health and fire hazard. Always wear appropriate clothing, including gloves, eye protection, and a respirator when cleaning the cup.

**NOTE**

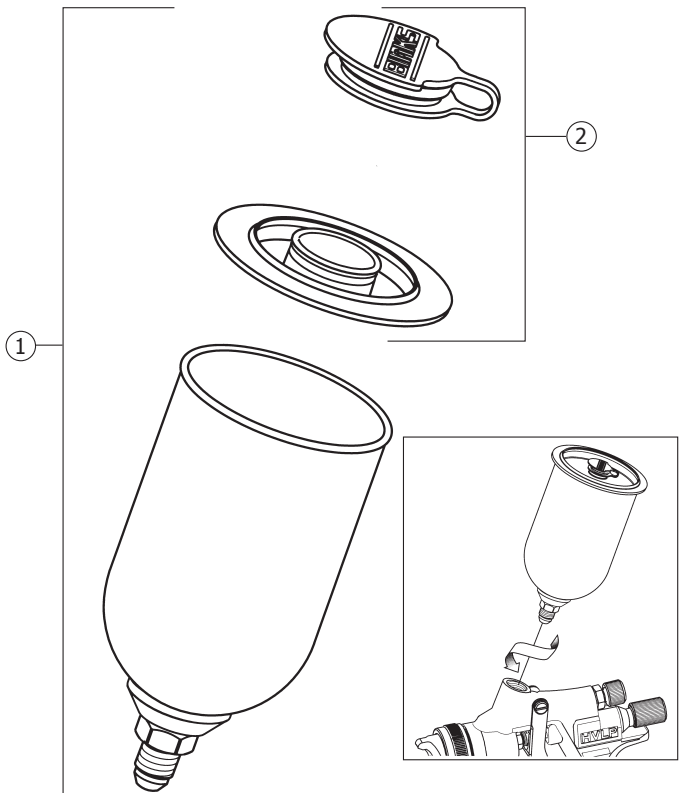
Before removing the cup, you may first wish to clean your Binks gun by flushing solvent from the cup through the gun. Refer to the instructions that came with your gun for detailed instructions on flushing solvent through the gun.

### HOW TO CLEAN THE CUP

1. Remove lid.
2. Unscrew cup.
3. Rinse cup with solvent.

**NOTE**

Never immerse cup or lid in solvent for long periods of time.



### PARTS LIST

When ordering, please specify Part No.

ITEM NO.	PART NO.	DESCRIPTION	QTY.
1	54-4458	4 OUNCE ALUMINUM GRAVITY FEED CUP ASSEMBLY.....	1
2	54-4459	4 OUNCE CUP LID ASSEMBLY	

■ Replacement lids are available in the Lid Assembly Quantity Pack only (54-4539), (3 lids and caps). Gravity cup is NOT sold separately.

#### OPTIONAL CUP SIZES:

- 81-381• 8 OUNCE GRAVITY FEED CUP ASSEMBLY
- SRI-510 4 OUNCE ACETAL GRAVITY CUP ASSEMBLY

• Available from Binks distributors only.

**CA PROP 65 PROP 65 WARNING**  
 WARNING: This product contains chemicals known to the State of California to cause cancer and birth defects or other reproductive harm.