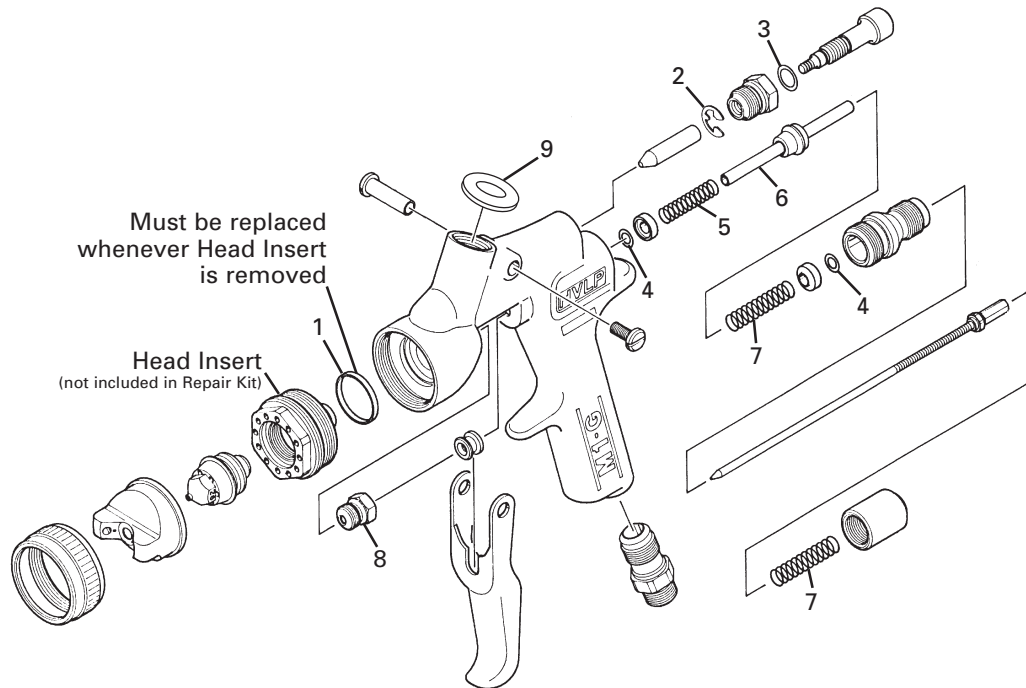




54-4367-1 REPAIR KIT M1-G HVLP GRAVITY FEED GUN

SIBI-2-18-2-A

Replaces SIBI-2-18-2



Gun Repair Kit (54-4367-1) Contains:

Ref. No.	Description	Qty.
1	Seal	1
2	Retaining Ring	1
3	O-Ring	1
4	O-Ring	2
5	Spring, Yellow	1
6	Spindle	1
7	Spring, Blue	2
8	Seal Cartridge	1
9	Cup Gasket	1

Learn more about paint spray guns and accessories we have.