

⚠ DANGER

- Do not put fuels, flammables, explosives or hazardous materials inside these products.
- Gasoline, solvents, gun powder or other munitions, dynamite, propane, acetylene or other such products can explode if stored inside these products.
- Use these products ONLY for storing and transporting electric or hand tools and equipment, and other similar materials.
- Failure to follow these warnings or modification or other uses of these products could result in death, serious injury or property damage.

DO NOT PAINT OVER OR REMOVE THIS DECAL



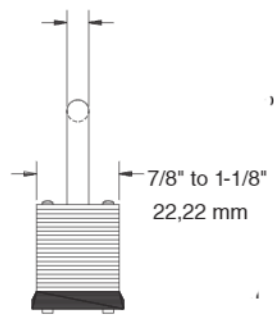
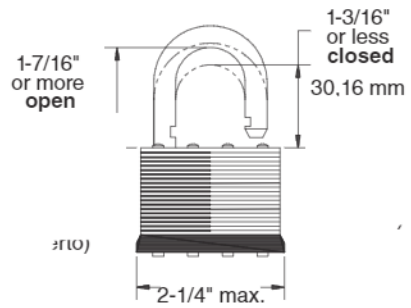
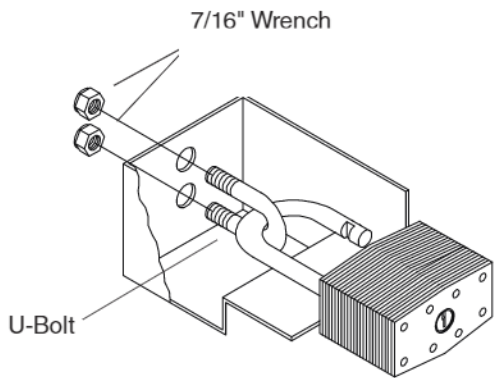
⚠ WARNING

Keep hands clear when closing lid or door.
Failure to do so could result in severe injury.

PADLOCK INSTALLATION INSTRUCTIONS

PADLOCK MUST MEET THESE REQUIREMENTS

Shackle
3/8" dia.
to 11/32" dia.



-NOTICE -
Any modification or unintended use of this product shall immediately void all manufacturers warranties. Manufacturer disclaims all liability for injuries to persons or property resulting from any modification to, or unintended use of this product.

Rev B 4/15 ECN 5612 Part No. 14-0012