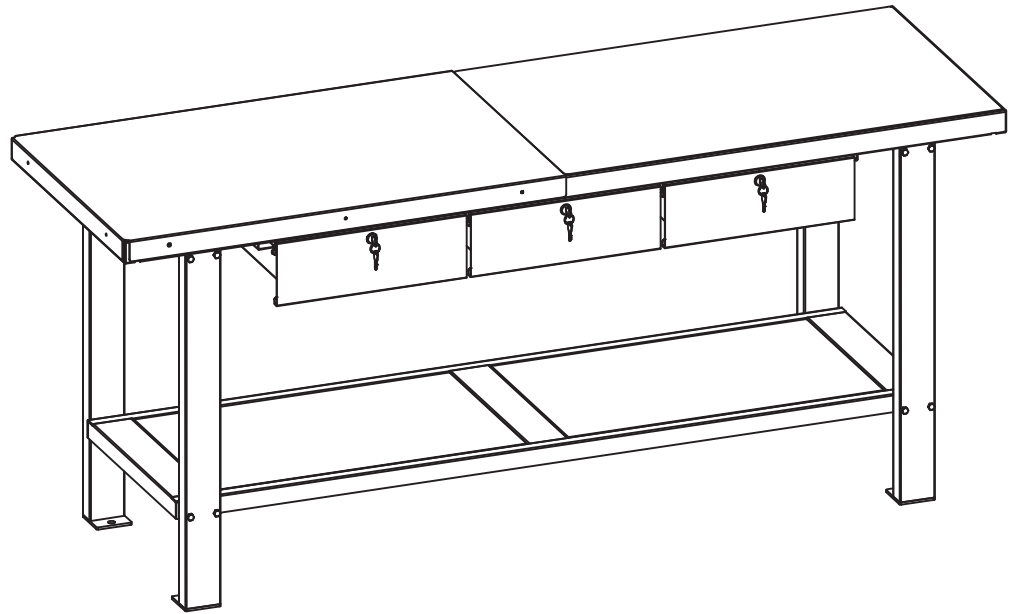
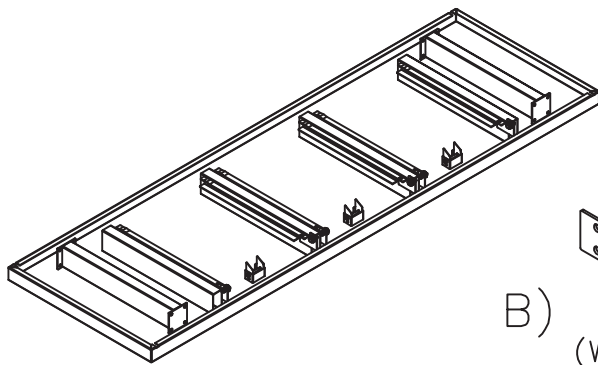
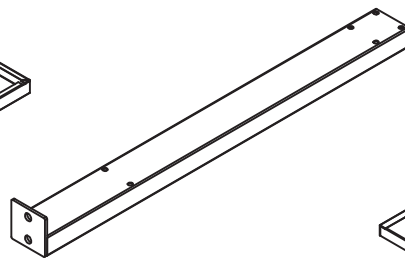
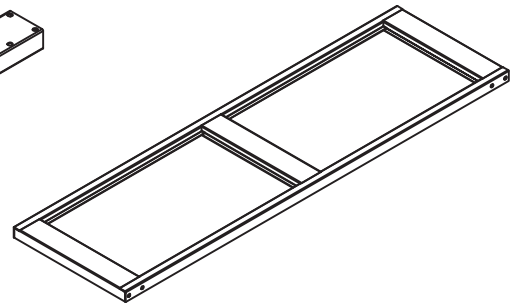
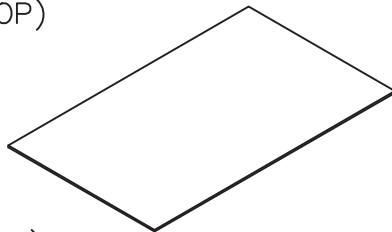
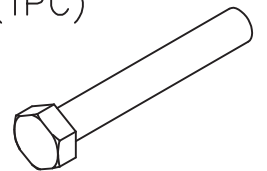
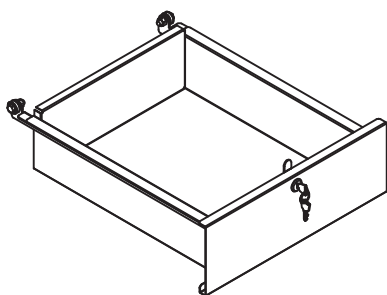
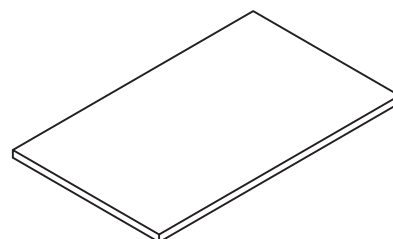


C56M

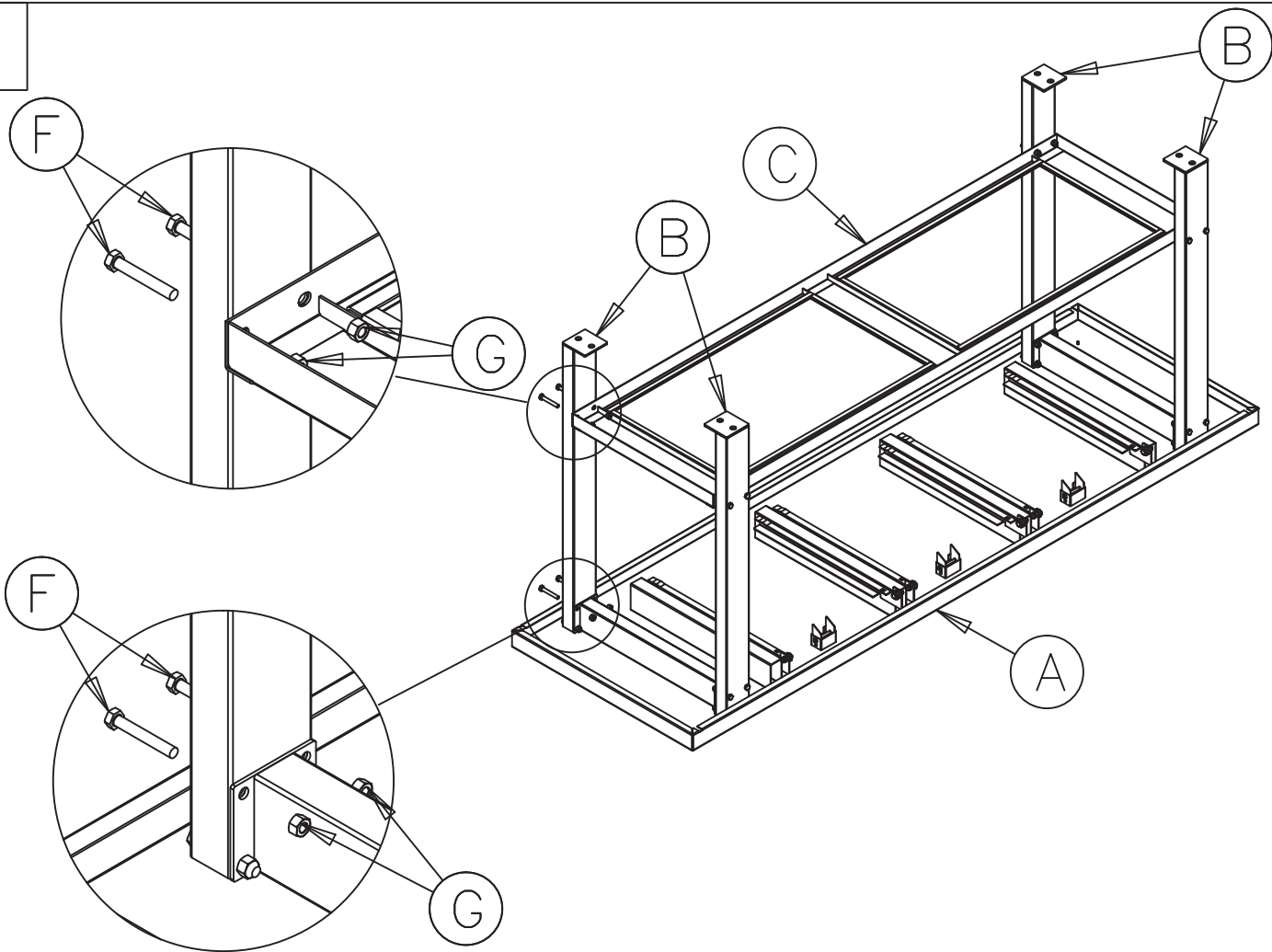
WORK BENCH, ASSEMBLY INSTRUCTIONS



(PARTS LIST)

A)
(WORK BENCH TOP)
(1PC)B)
(WORK BENCH LEG)
(4PCS)C)
(STEEL SHELF)
(1PC)H)
(RUBBER MAT)
(1PC)F)
(BOLT M8X55)
(24+1PCS)D)
(DRAWER)
(3PCS)E)
(WOODEN SHELF)
(2PCS)G)
(NUT M8)
(24+1PCS)

1



2

