



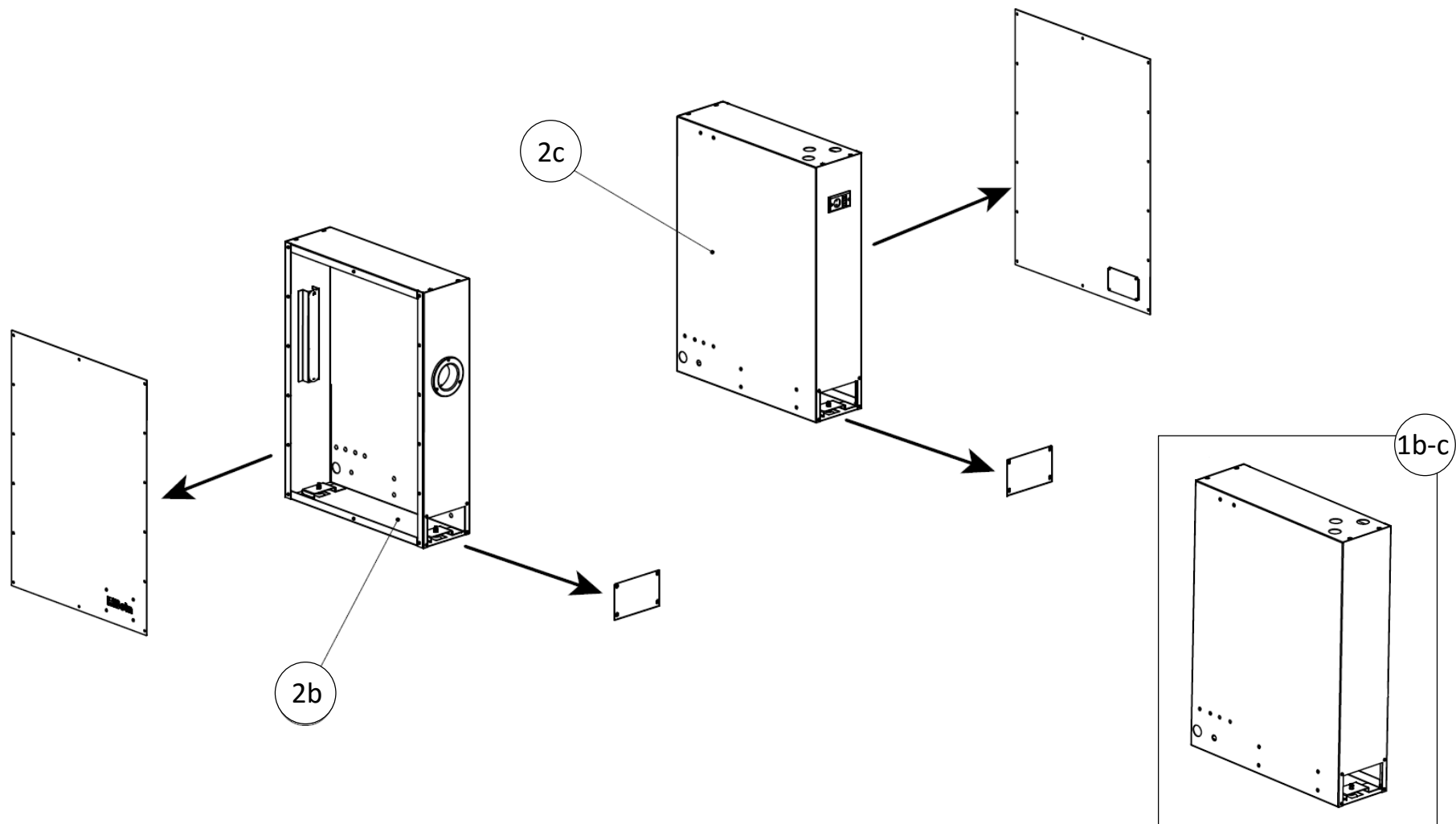
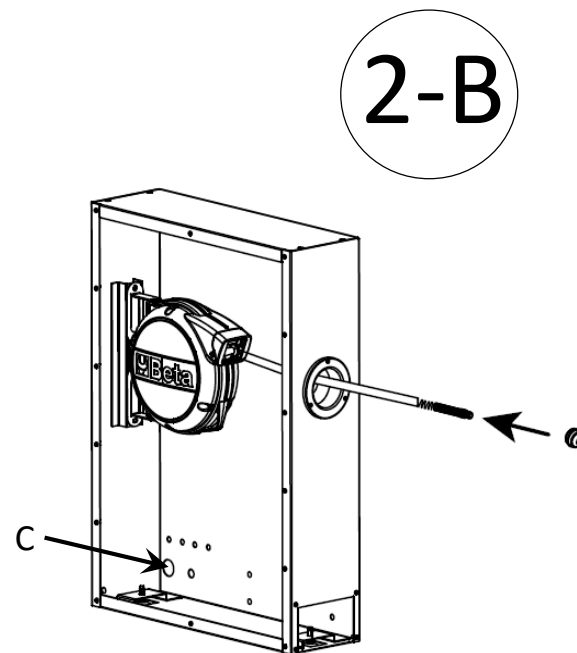
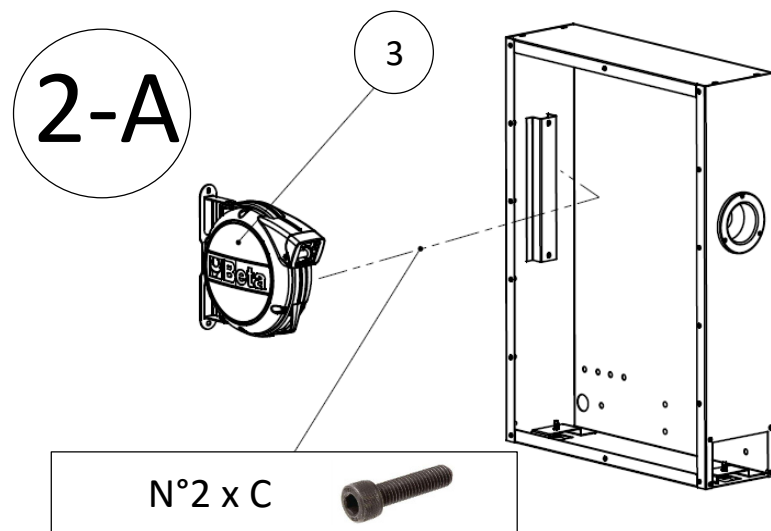


Pos	Code	Description	Pcs .
1	055000101	2m workbench	4
	055000102	a) 2m worktop	1
	055000104	b) Plain right leg	1
	055000105	c) Plain left leg	1
	055000103	d) Rear support crossbeam	1
2	055000151	2m pro workbench	4
	055000102	a) 2m worktop	1
	055000154	b) Right leg with built-in roller	1
	055000155	c) Left leg with power sockets	1
	055000103	d) Rear support crossbeam	1
3	019010111	Hose reel	1
4	*	Mobile roller cab	N.d
5	*	Fixed module	N.d
6	015990150	Bench vice	N.d

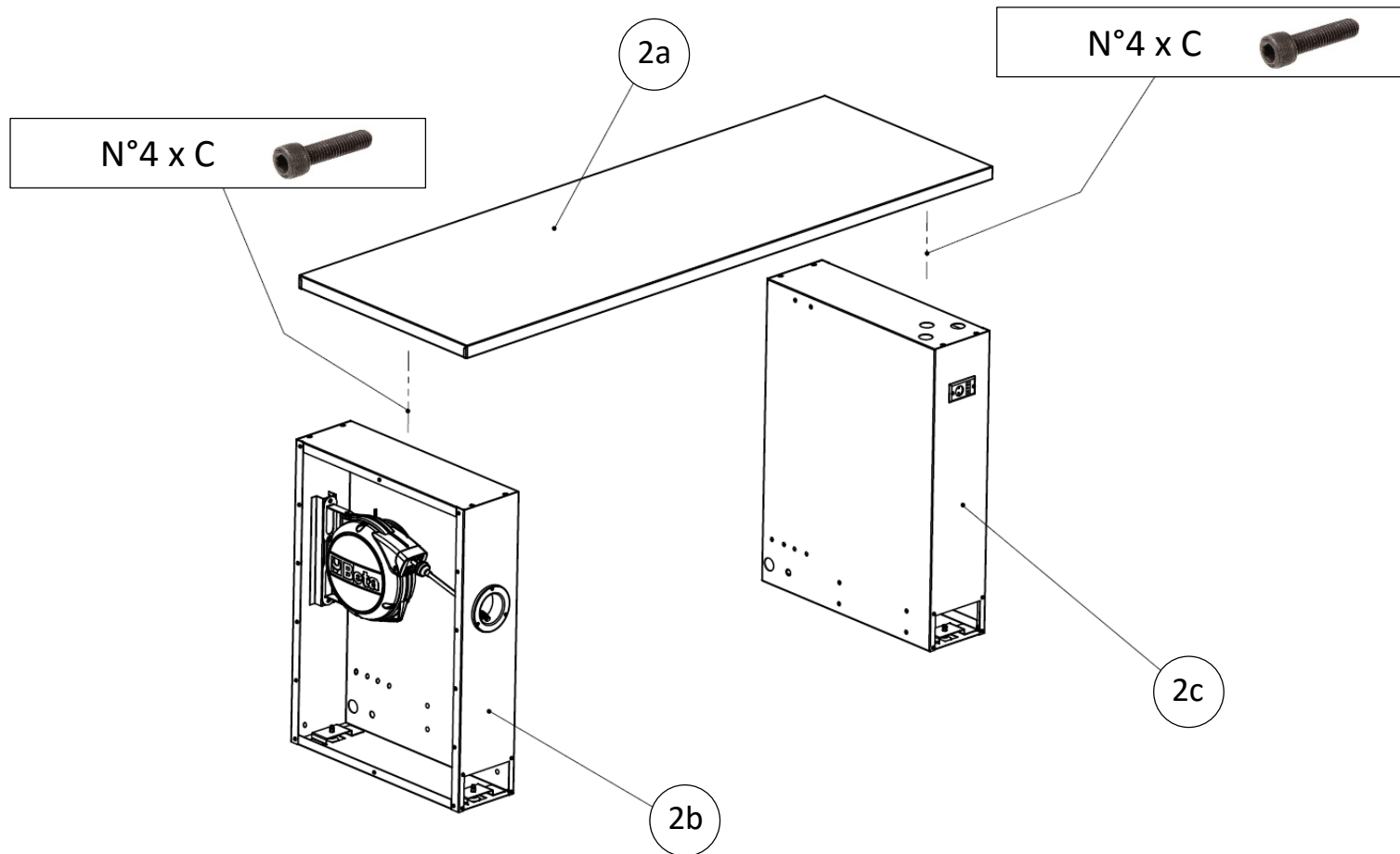
A		B		C		D	
M8 X 16 TCEI (18 pcs.)		M12 X 60 (3 pcs.)		Washer Wide Band (6 pcs.)		Nuts M12 (6 pcs.)	

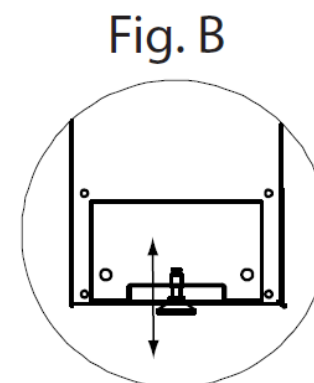
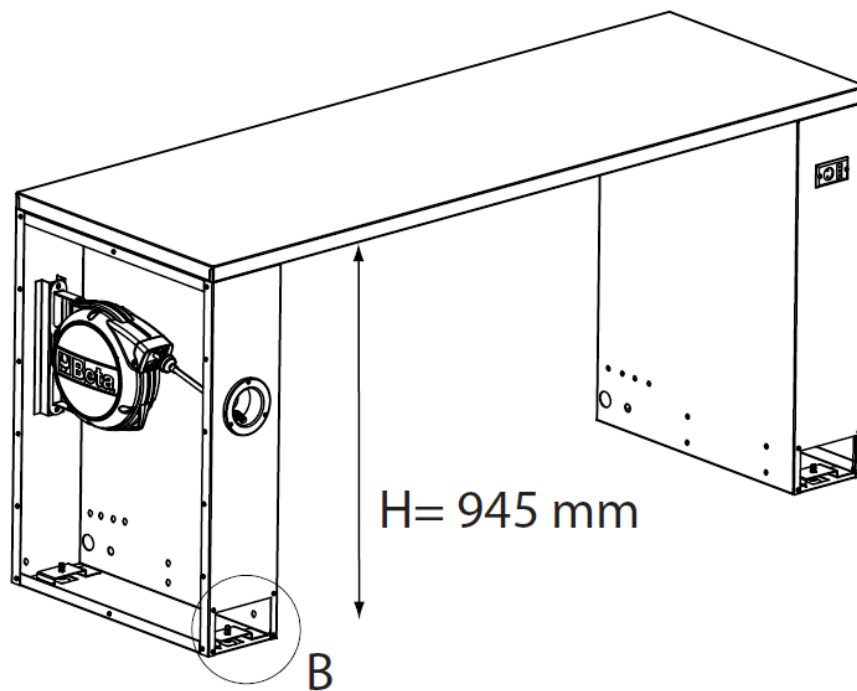


For each leg remove the side cover and the front window

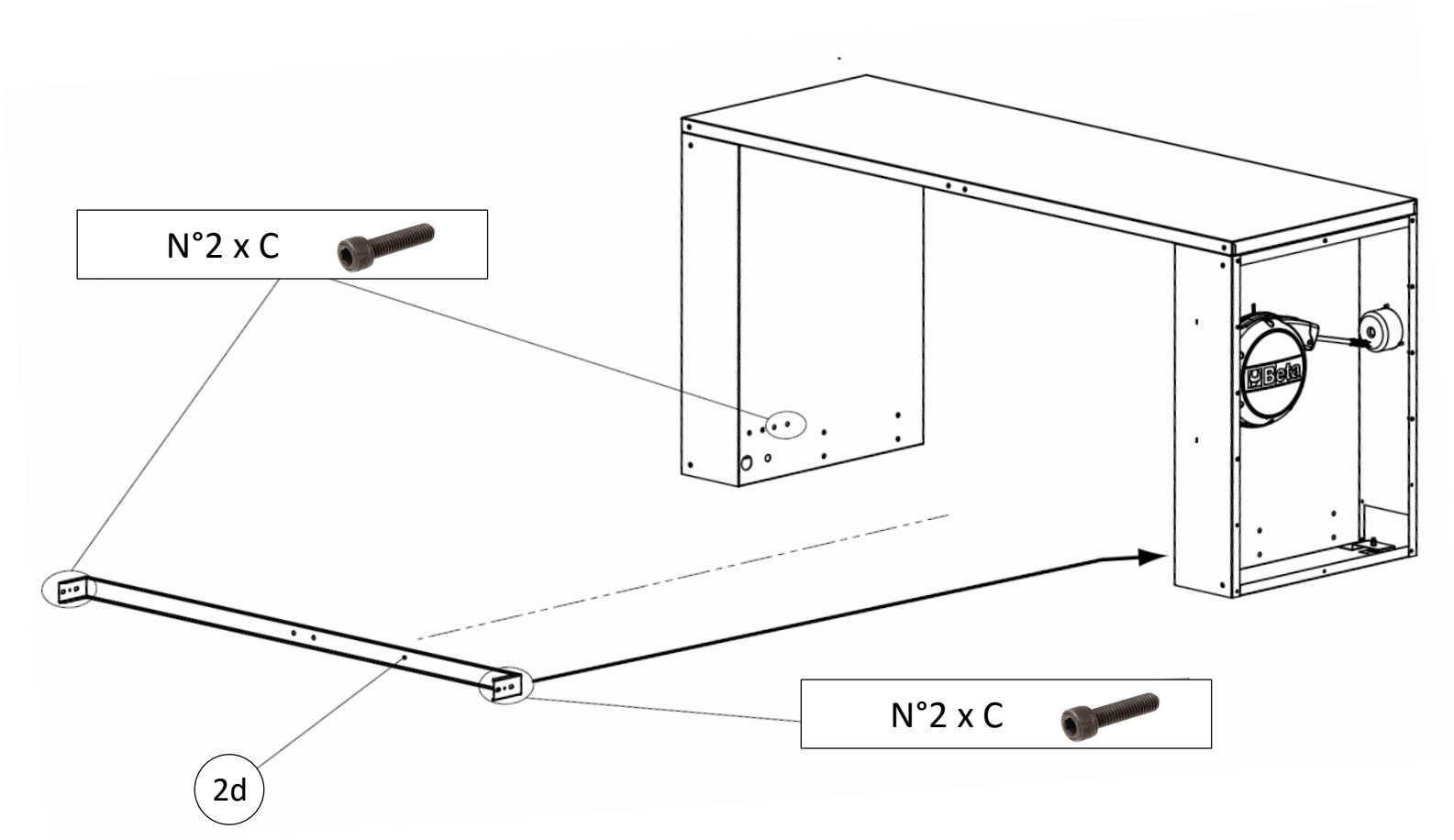


Insert the rollable end of the air hose in the front socket; pass the other one through the hole C

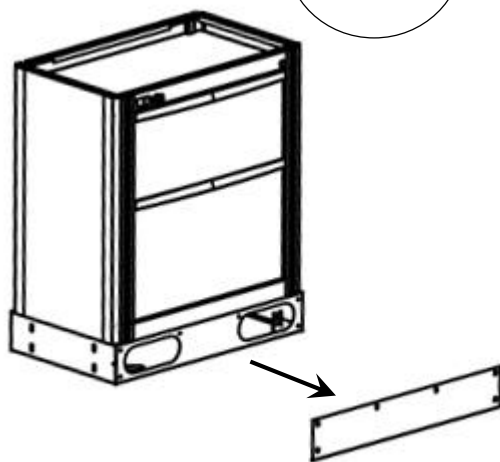




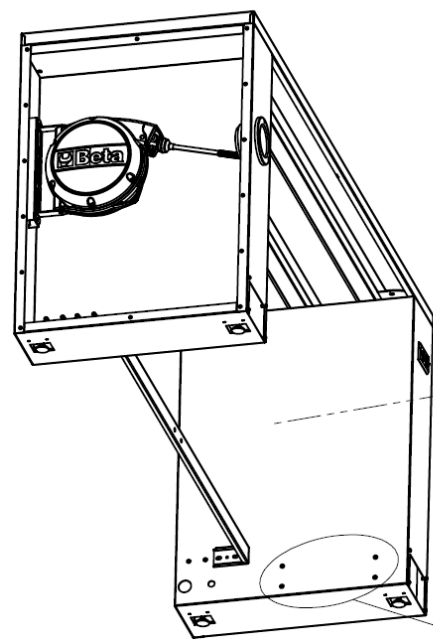
Adjust the 4 adjustable feet (Fig. B) to level the structure at the minimum height of 945 mm from the floor



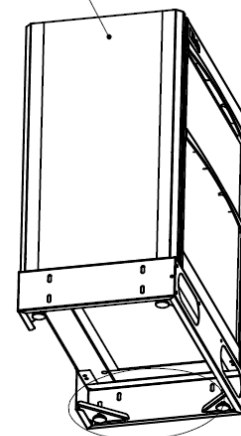
6-A



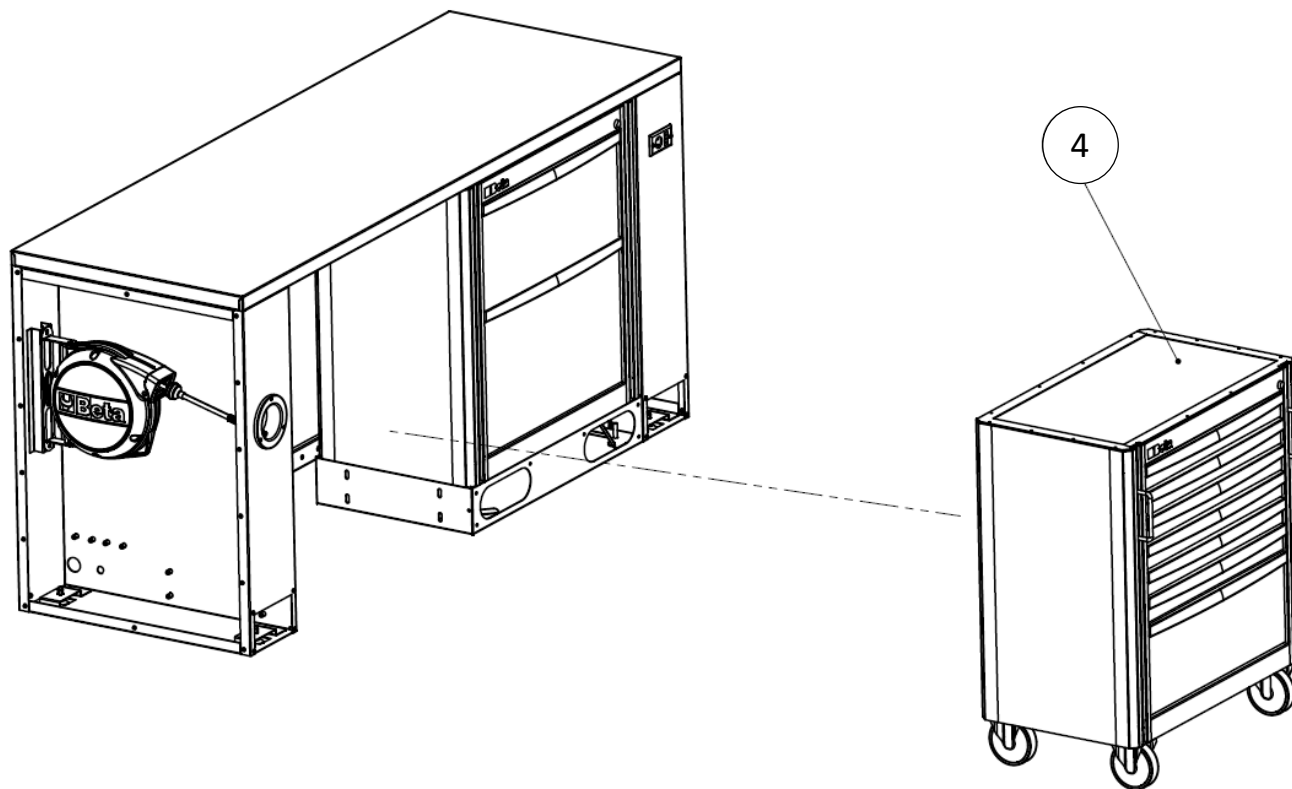
6-B

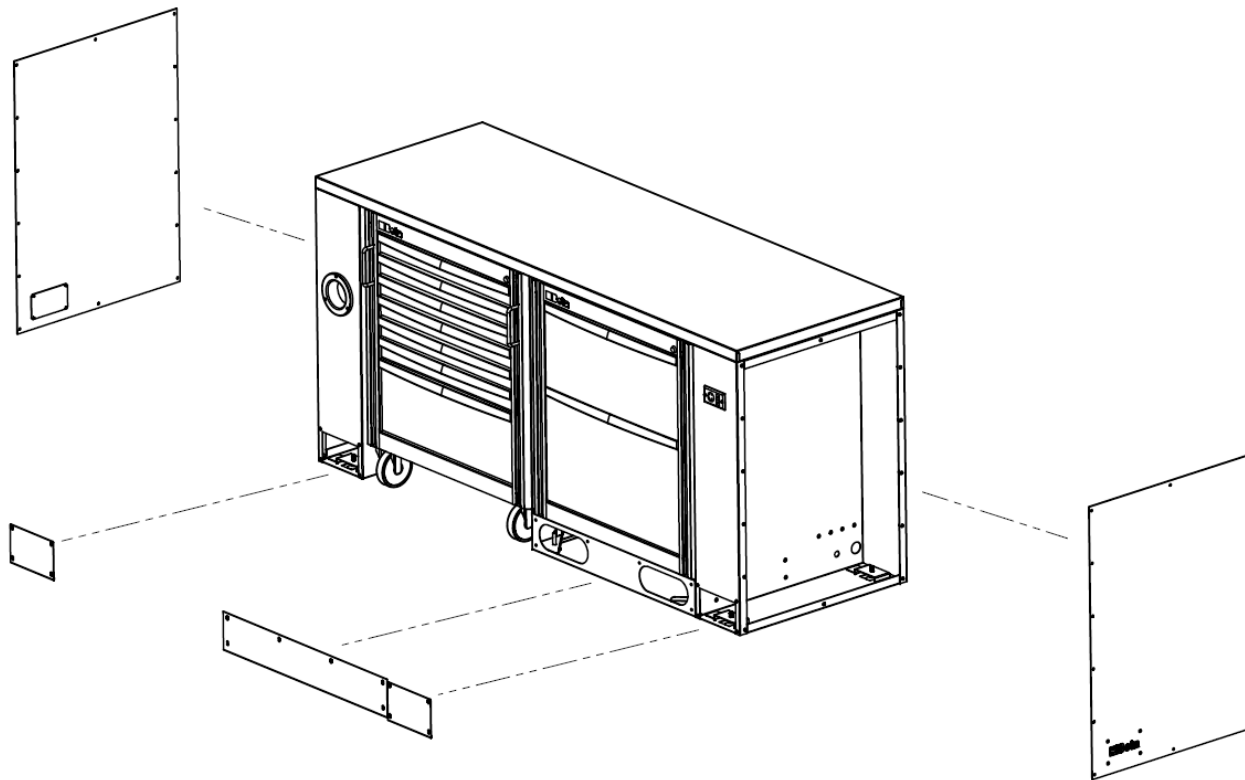


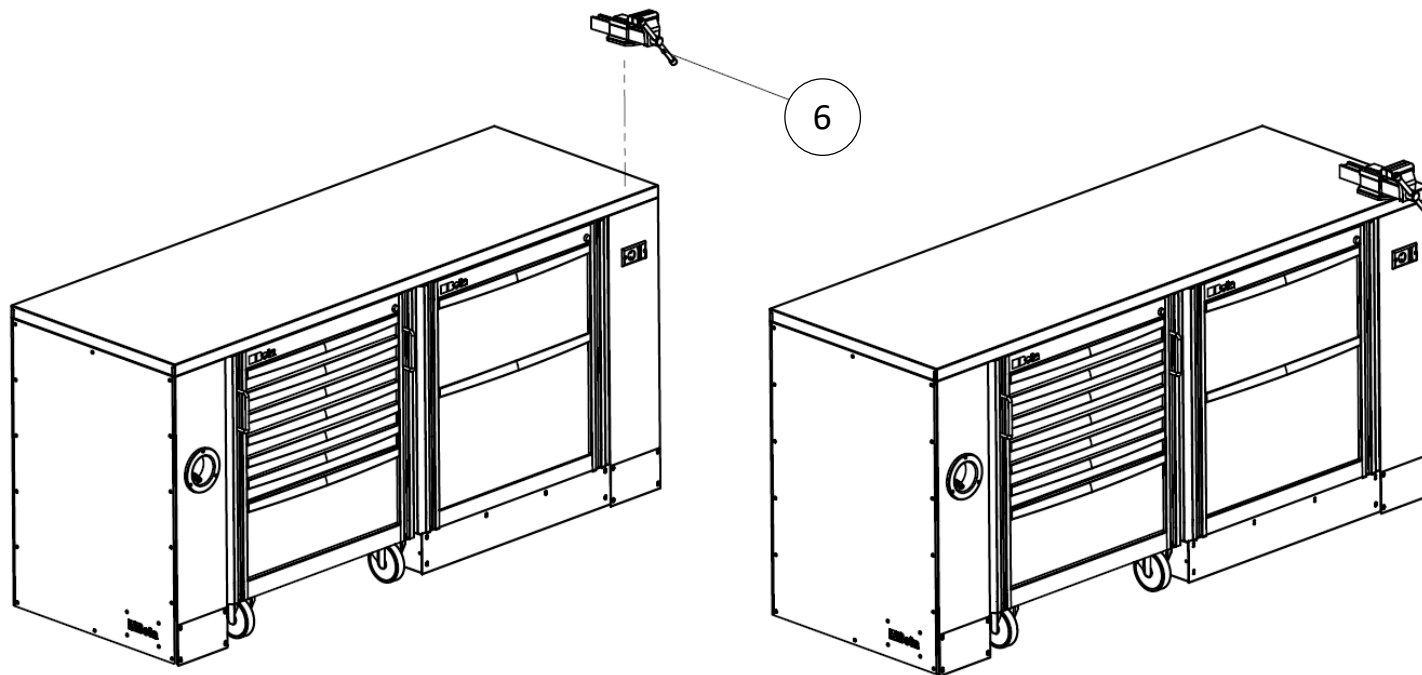
5



Remove the front cover of the fixed module off (6-A) . Screw it the module to the workbench leg (6-B)



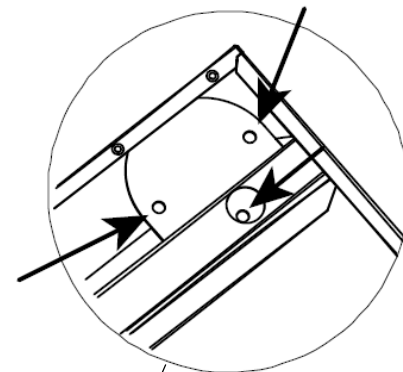
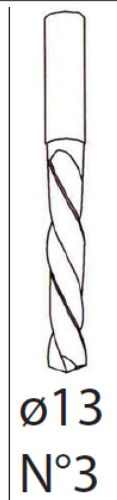
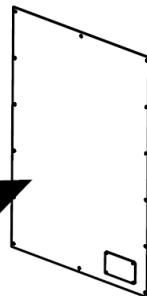
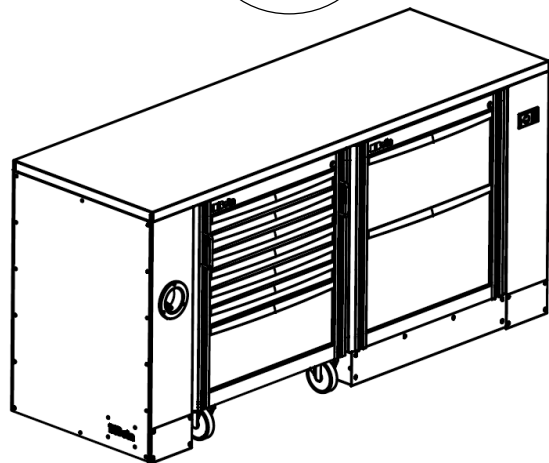




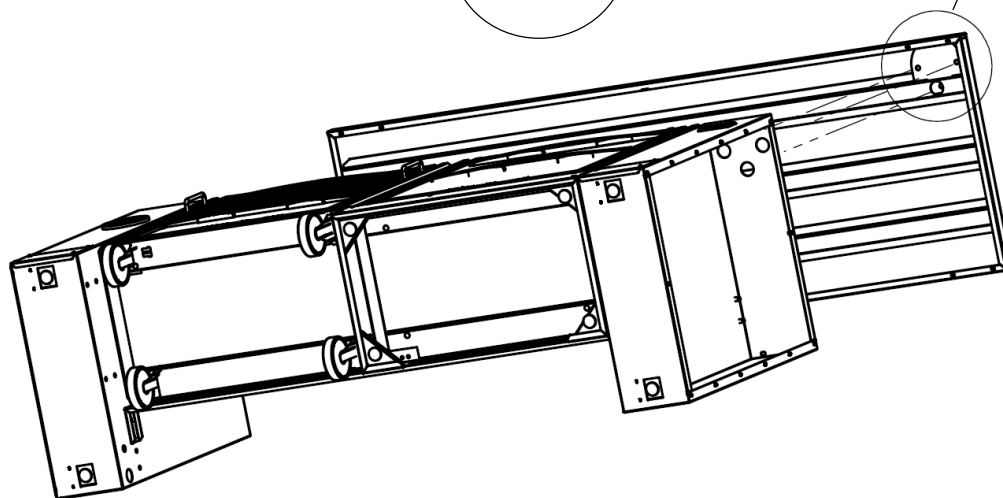
BEFORE

AFTER

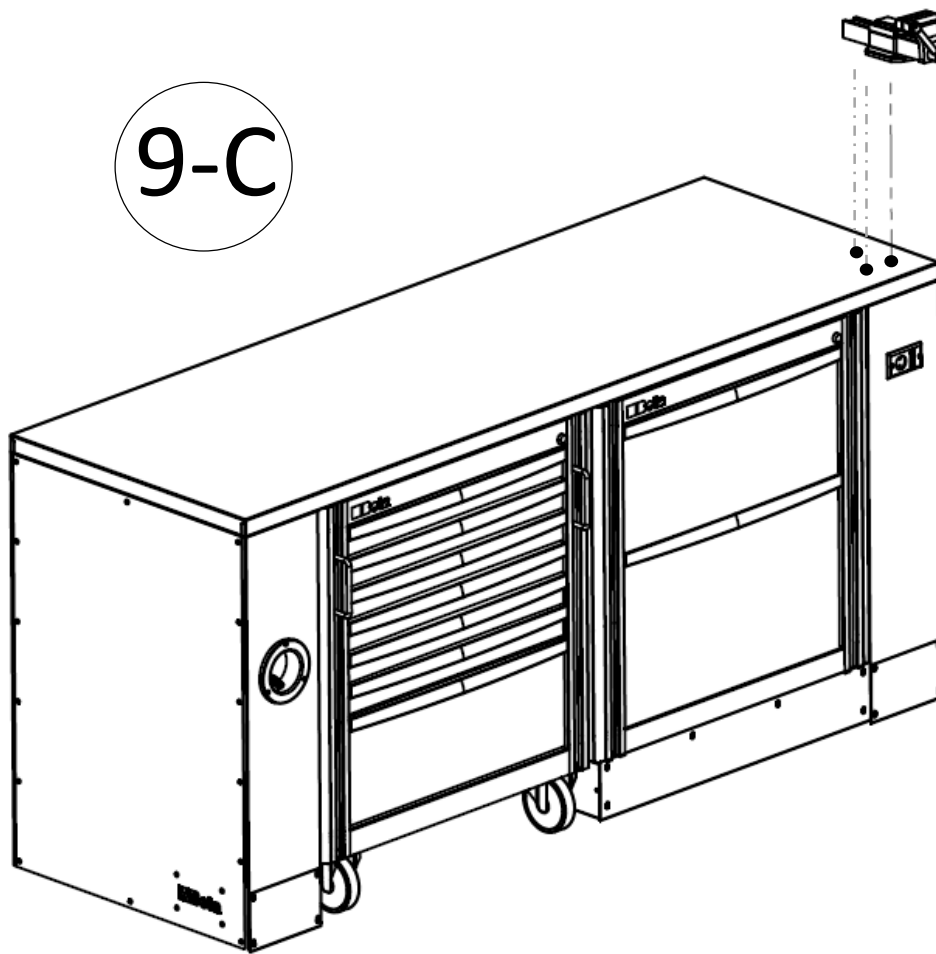
9-A





9-B



9-C



N°3 x B	
N°6 x C	
N°6 x D	