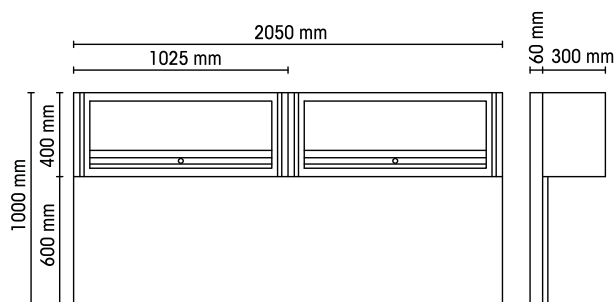


Tool wall system with 2 suspended cabinets, for workshop equipment combination

- 2 suspended cabinets, 1024x400x300 mm, fitted with gas springs, making it easier to open and close doors.
- Wall panel, 2050x620 mm; can accommodate perforated tool panels C55/2PF (to be ordered separately)
- Supplied with framework
- Matches 2-m-long workbench

 80 kg


		art.
	055000301	C55 2PM