

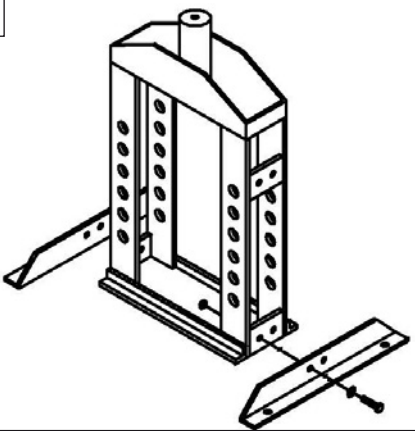


3027/10
3027/20
3027/30
3027/50

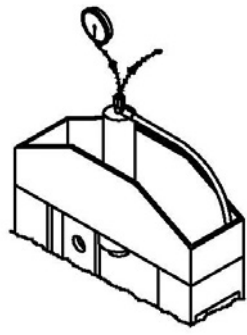


INSTRUCTIONS FOR USE

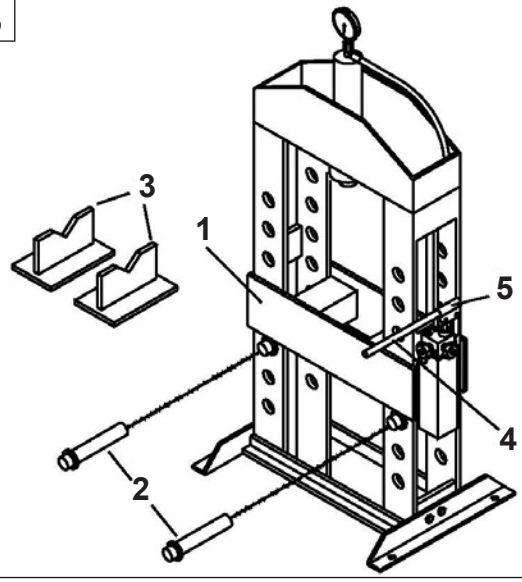
1



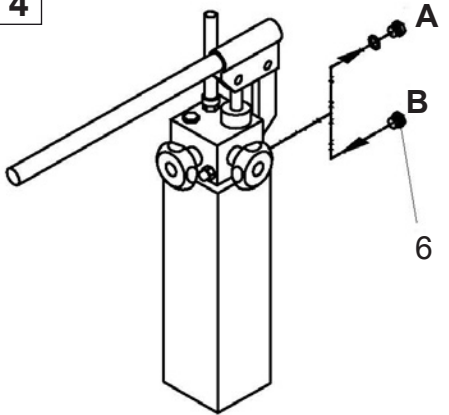
2



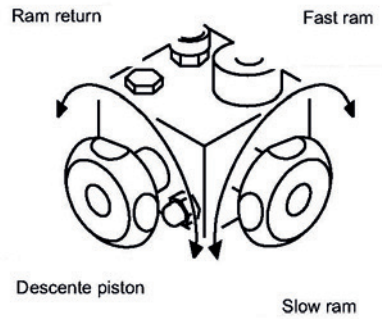
3

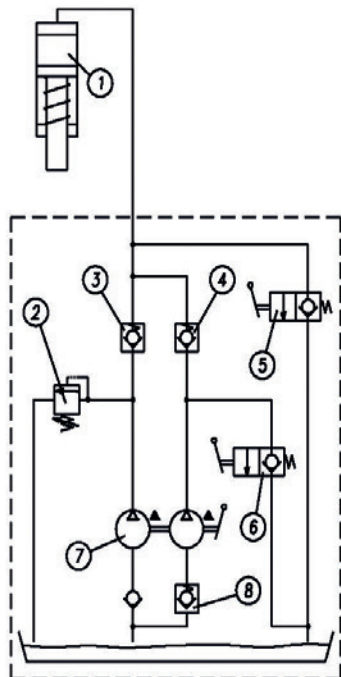


4



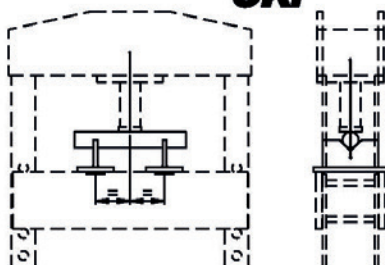
5





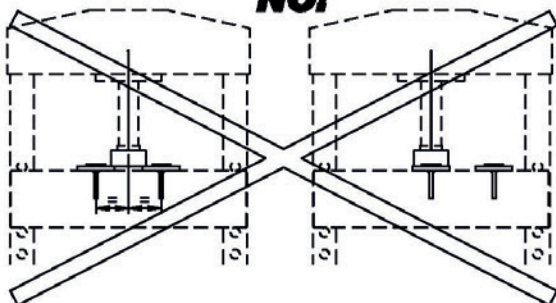
Description	
1	Cylinder
2	High pressure safety valve
3	Check valve, delivery side
4	Check valve, delivery side
5	Release adjusting valve
6	Speed adjusting valve
7	Manual pump
8	Check valve, inlet side

OKI



⚠ WARNING
CORRECT USE OF THE PRISMS

NOI



INSTRUCTIONS FOR USE

MAINTENANCE MANUAL for WORKSHOP HYDRAULIC PRESSES

LIABILITY OF PRESS OWNER AND/OR USER

This manual is an integral part of the press and must always accompany it, even in the event of sale. The press owner and/or user must know the operating instructions and recommendations before using the press. If the operator does not fully understand the language of this manual, the instructions have to be read and explained in his or her native language making sure the meaning is understood. **The manufacturer shall not be held liable for any damage to persons or objects due to an improper or non-permitted use of the press.**

LIFTING AND HANDLING

The presses have to be handled and positioned using fork-lift trucks or workshop cranes that support the weight.

STORAGE

The packing has to be kept in a covered and sheltered place at a temperature between -10°C and +40°C.

SAFETY

Do not use the press for purposes other than those for which it was designed.

Do not work alongside pieces while the ram is moving or when it is under pressure.

The safety valve is calibrated and sealed by the manufacturer: **DO NOT ATTEMPT TO TAMPER WITH IT AND CHANGE THE SETTING.**

FAILURE to OBSERVE these RECOMMENDATIONS may cause even serious damage to the press and/or to the persons working with it.

THE MANUFACTURER SHALL NOT BE HELD LIABLE FOR DAMAGE TO PERSONS OR THINGS CAUSED BY IMPROPER USE OF THE PRESS OR OF ITS COMPONENTS.

ERECTION (• operations for all types of presses - n operations only for certain types of presses)

Take the press out of its pluriball wrapping, checking that the machine has not been damaged during transport and that there are all the pieces indicated in the packing list. The packing material has to be disposed of in compliance with the regulations in force in the country where the press is being erected or recycled or reused.

- Fit the feet to the body of the press by screwing them on with the nuts and bolts supplied (Fig. 1).
Only for press 3027/10: secure the press to a flat workbench with a suitable loading capacity by means of through bolts and nuts.
- For all other models position the press on a flat and fully levelled surface. Inside the feet there are two holes for fixing to the ground by using expansion plugs of a large cross-section.
- Remove the cap on the top of the ram, seal the thread of the pressure gauge with Teflon and screw the pressure gauge onto the ram, tightening it with a spanner until it is fully locked (Fig. 2).
- Spread a thin film of oil on the press workbench support pins.
Only for press 3027/30 e 3027/50: unscrew the handle of the winch; the handle is supplied upside-down for increased packaging convenience; screw it properly, and tighten it with a wrench. Slightly grease the pins of the winch.

OPERATING INSTRUCTIONS

- Before operating the press, replace the oil plug (ref.A, fig.4) on the cylinder with the holed one (ref.B, fig.4) supplied by the manufacturer.
- Position the bed of the press (ref. 1, Fig. 3) at the desired height, lifting it first on one side and inserting one of the pins (2) into the hole in the press body directly beneath, then repeating this step for the other side as well.
- Position the pins (2) at the desired point.
Only for press 3027/30 e 3027/50: operate the winch to lift the bed.

INSTRUCTIONS FOR USE



WARNING

**NEVER OPERATE THE WINCH WITH FINGERS CLOSE TO THE GEAR WHEEL.
IT IS ABSOLUTELY FORBIDDEN TO OPERATE WITH THE BED HANGING BY THE ROPES
OF THE WINCH: ALL WORK OPERATIONS ARE TO BE MADE WITH THE BED RESTING
ON THE PINS AND THE WINCH ENTIRELY FREE.**

- Position the prisms (ref. 3, Fig. 3) on the bed (1).
 - Insert the lever of the pump (4) into its relative seat (5) on the pump.
 - Fig. 5 shows the uses relative to the positions of the two dials on the pump.
 - Operate the lever to lower the ram, carry out the work then bring the ram back to rest with the relative dial (Fig. 5).
- The pump operating lever is thereby free to be able to be extracted or moved if it gets in the way of work on the press.

MAINTENANCE

- Oil the moving parts of the press every six months and check operation of the pressure gauge.
- The hydraulic unit (cylinder/pump) is a sealed system that in normal conditions requires only sixmonthly lubrication of the moving parts. In the event of the hydraulic unit leaking oil and being dismantled in order to replace the seals, it will be necessary to add oil through the filler hole on the pump (ref. 6, Fig. 4) until the pump has been filled up to the level of the hole itself. This operation has to be done with **the ram at rest and therefore fully retracted**. The oil in the hydraulic units should anyhow be replaced every two years independently of the general conditions of the unit.

Use hydraulic oil with viscosity from 22° to 25°.

Required quantity of oil:

3027/10	: 1,2 l.
3027/20	: 1,2 l.
3027/30	: 2,4 l.
3027/50	: 2,4 l.

A greater amount of oil could cause trouble



WARNING

NEVER use brake oil.

SPECIAL INFORMATION

- The waste oil taken from the press has to be disposed of in compliance with the laws in force in the country where the machine is installed.
- If the press is to be destroyed, all the metal parts can be recycled; the rubber hoses and the press fluids have to be disposed of in compliance with the laws in force in the country where the machine is installed.



EU DECLARATION OF CONFORMITY:

BETA UTENSILI S.p.A. hereby declares that **hydraulic press 3027/10 - 3027/20 - 3027/30 - 3027/50** complies with "Machine Directive" 2006/42/EC

MASSIMO CICERI
(Member of the board)