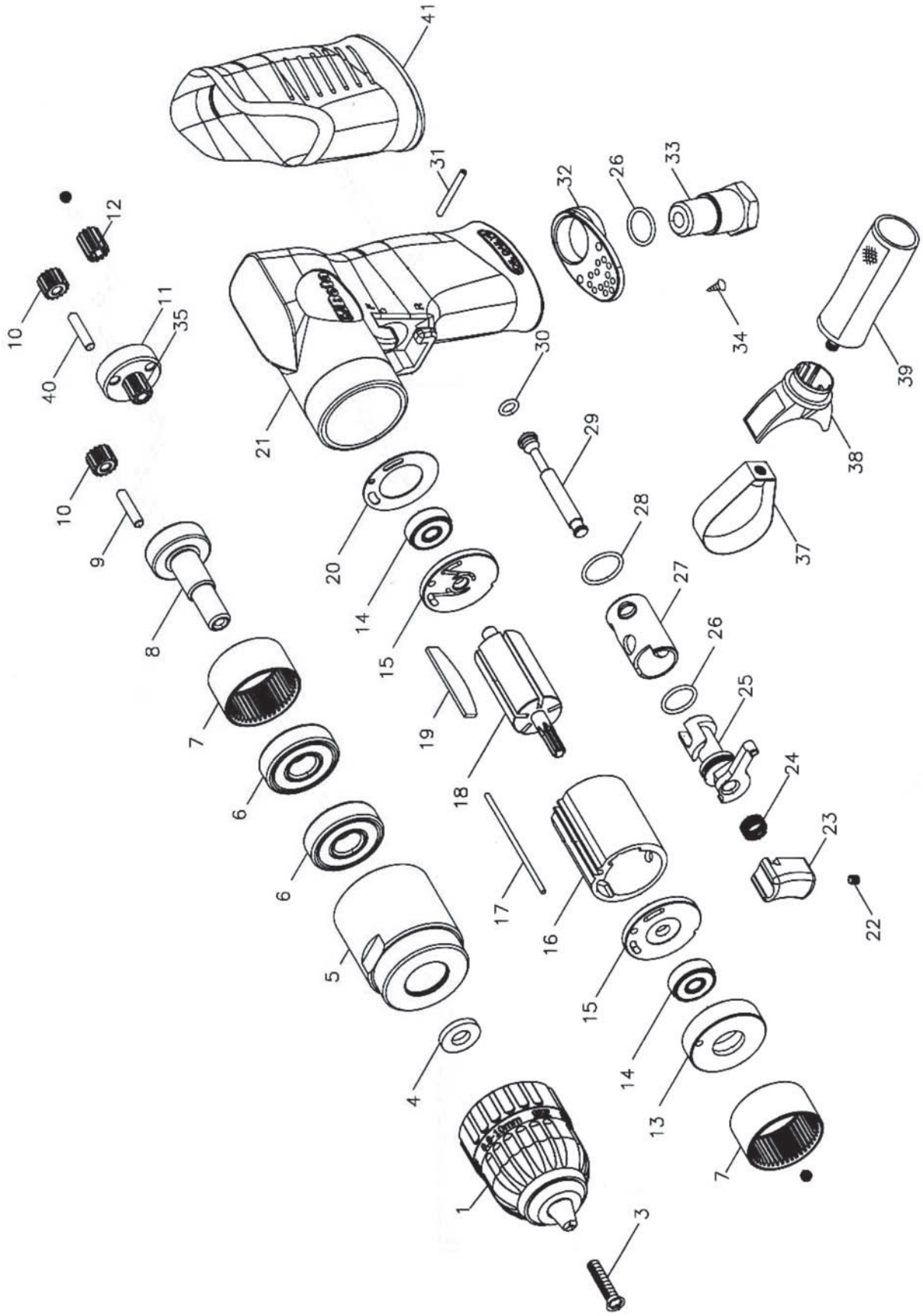
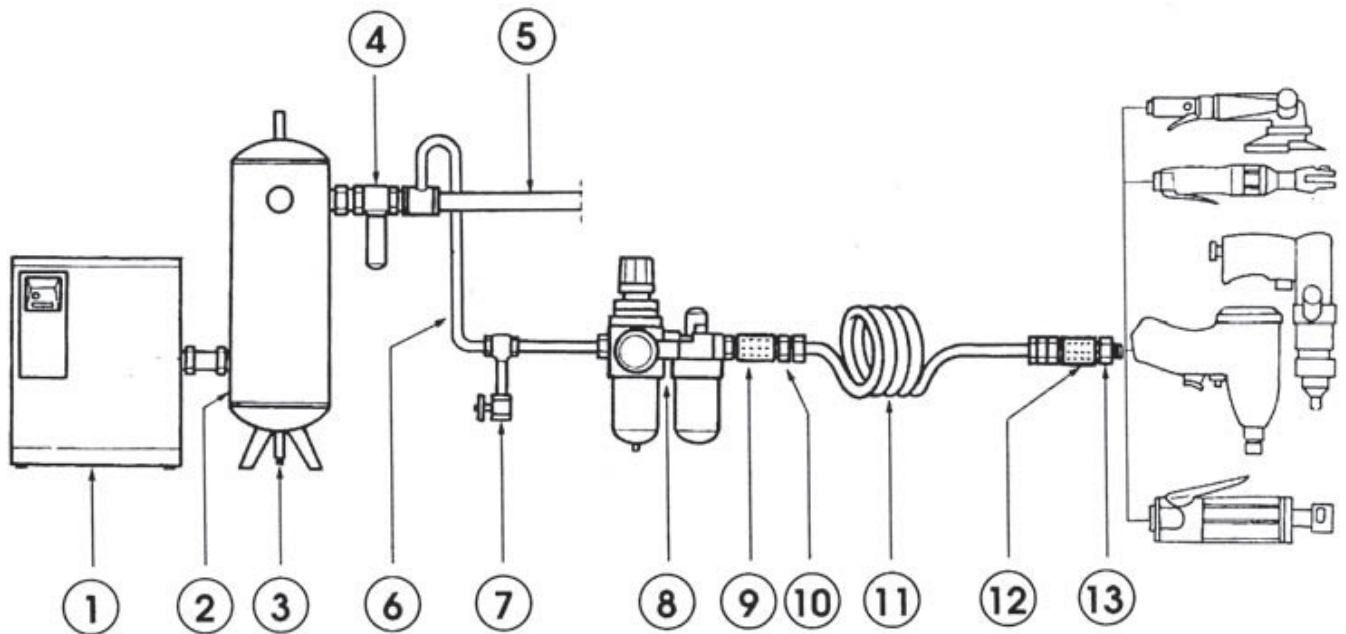




1932RS13

INSTRUCTIONS





- 1 AIR COMPRESSOR
- 2 AIR TANK
- 3 AUTOMATIC CONDENSATE DRAIN
- 4 MAIN FILTER
- 5 MAIN PIPEWORK
- 6 SUPPLY LINE
- 7 CONDENSATE DRAIN
- 8 FILTER-REGULATOR-LUBRICATOR 1/4"
- 9 COUPLER 1/4"
- 10 COUPLING 1/4"
- 11 HOSE 10 mm
- 12 COUPLER 1/4"
- 13 COUPLING 1/4"

13 mm REVERSIBLE AIR DRILL item 1932RS13

<i>Part. No.</i>	<i>Code</i>	<i>Description</i>	<i>Part. No.</i>	<i>Code</i>	<i>Description</i>
01	1932 233	<i>Chuck</i>	22	1932 219	<i>Dowel</i>
03	1932 202	<i>Screw</i>	23	1932 220	<i>Trigger</i>
04	1932 203	<i>Washer</i>	24	1932 221	<i>Spring</i>
05	1932 234	<i>Ring Nut</i>	25	1932 222	<i>Reverse Valve</i>
06	1932 205	<i>Ball Bearing (2 pcs.)</i>	26	1932 223	<i>O-Ring (2 pz.)</i>
07	1932 206	<i>Rim</i>	27	1932 224	<i>Valve Guide</i>
08	1932 235	<i>Gear Cage</i>	28	1932 225	<i>O-Ring</i>
09	1932 244	<i>Gear Pin (6 pcs.)</i>	29	1932 226	<i>Valve Stem</i>
10	1932 236	<i>Gear (6 pz.)</i>	30	1932 227	<i>O-Ring</i>
11	1932 237	<i>Gear Cage</i>	31	1932 228	<i>Pin</i>
12	1932 238	<i>Rotor Gear</i>	32	1932 229	<i>Exhaust Deflector</i>
13	1932 210	<i>Front End Plate</i>	33	1932 230	<i>Air Inlet</i>
14	1932 211	<i>Ball Bearing (2 pcs.)</i>	34	1932 231	<i>Screw (2 pz.)</i>
15	1932 212	<i>Rear End Plate</i>	35	1932 239	<i>Gear</i>
16	1932 213	<i>Cylinder</i>	37	1932 240	<i>Handle Ring</i>
17	1932 216	<i>Pin</i>	38	1932 241	<i>Handle Clamp</i>
18	1932 214	<i>Rotor</i>	39	1932 242	<i>Handle</i>
19	1932 215	<i>Vanes Set (5 pcs.)</i>	40	1932 243	<i>Gear Pin (3 pcs.)</i>
20	1932 217	<i>Gasket</i>	41	1932 232	<i>Rubber Handle</i>
21	1932 218	<i>Housing</i>			

REVERSIBLE AIR DRILL, 13 mm SELF-CLOSING CHUCK item 1932RS13

INSTRUCTION MANUAL FOR AIR DRILLS

Tool distributed by:
BETA UTENSILI SPA

TO BE ABSOLUTELY DELIVERED TO THE USER

**To reduce the risk of any, damage to people, before using or repairing the tool, doing any maintenance jobs or replacing any accessories,
READ ALL THE SECTIONS OF THE INSTRUCTION MANUAL CAREFULLY.**

SAFETY INSTRUCTIONS FOR AIR DRILLS

It is our aim to supply air tools which allow you to work efficiently and SAFELY.

It is however understood that YOU are the most important 'safety device' for any tool, as taking meticulous care is the best way of preventing injury.

Although we cannot enumerate all types of risks here, we tried to lay stress on some of the most significant ones.

Let us remind you that this tool must be used only by skilled workers and that the machine must never be forced; do not overload the tool.

RISKS DUE TO CONNECTION TO COMPRESSED AIR

Compressed air may harm people severely.

Do not direct air towards you or any other people.

The air coming out of the hoses may harm people severely; periodically check whether the hoses and/or fittings are loose and/or have been damaged.

Whipping hoses may cause severe damage.

Before handling the tool, close the main plant, release residual pressure and disconnect the tool only when it is not working.

Pressure must not exceed 6.2 bar, as measured at the air inlet while the tool is working, or the value shown on the tool plate.

RISKS OF VARIOUS KINDS

Stay at a safety distance from the rotating parts of the tool.

Do not wear any accessory round your neck, such as chains or necklaces. Do not wear any bracelets or loose clothes.

Avoid contact of accessories and tools with your hair.

Avoid contact with any accessories in motion, while the tool is being used or after it has been used.

Always wear work gloves to reduce the risk of cutting and burning yourself.

RISKS DUE TO SPLINTERS AND FRAGMENTS

Warning: small splinters and fragments may also harm your eyes and result in blindness.

Always wear eye protection while using the tool, doing any maintenance jobs and replacing any accessories or spare parts. This measure must also be taken by anyone who works nearby.

Do not use the tool improperly, as it might work too quickly, thus causing the accessories to be ejected.

RISKS RELATED TO WORKING CONDITIONS

Mind too long hoses left at the work station; stumbling and falling is likely to result in severe injury.

High noise levels may result in permanent loss of hearing; **wear ear protection, as recommended by the employer and/or the regulations.**

Stay in a safe, well-balanced position.

Repetitive movements and awkward positions combined with vibrations may cause your hands and arms to be harmed; special precautions should be taken.

Do not breathe dust and waste; partially protect yourself with a filtering mask.

Both the workers and the maintainers must be physically fit for the size, weight and power of this tool.

This tool was not designed to be used in areas exposed to the risk of explosion and is not so insulated as to come into contact with power sources.

OTHER SAFETY REQUIREMENTS

This tool and its parts and accessories must not be modified and/or tampered with.

The building material of this tool may be subject to wear.

Working with compressed air tools may result in high vibrations; therefore, take any precautions needed.

Prevent your hands from being trapped between the tool and any object.

FOR FURTHER INFORMATION ABOUT SAFETY REFER TO THE FOLLOWING:

The documents, information and instructions supplied with this tool;

The employer, trade associations and/or trade unions;

The EEC Council and/or local authorities

"Safety Requirements for Hand Held Non-Electric Tools", available at: European Committee for Standardization, Rue de Stassart 36, 1050 Brussels, Belgium.

REQUIREMENTS FOR PROPER AIR CONNECTION

Feed the tool with clean air, free from water or condensate, at a pressure of 6.0 bar, as measured at the air inlet, while the tool is working.

An excessively high pressure results in a shorter life for the mechanical parts and may cause people to be severely harmed.

Connect the tool to the feeding plant, using accessories of the same size as that shown in the enclosed drawing.

Do not fix any quick couplers directly into the air inlet.

Consult the instructions to connect the accessories properly.

Consult the specifications in this manual.

LUBRICATION

For optimal use, connect the tool to a filter-lubricator unit provided with an air-oil microfog mixer (items 1919F), set at two drops per minute, pouring special oil ISO 32 (item 1919L) in. The above-mentioned accessories will translate into a high-performing tool and wear-resistant mechanical parts.

If the line is not supplied with any lubricator, pour oil ISO 32 or SAE #10 into the tool at least once a day.

Check on a monthly basis whether the gear unit is properly lubricated. Use – if need be – high-speed bearing grease.

Do not use kerosene or diesel oil.

MAINTENANCE

We recommend using the enclosed exploded view as a manual to disassemble and assemble the tool as well as to identify any spare parts.

Keep the tool away from dust, humidity and intense cold.

WARRANTY

This tool is manufactured and tested with the greatest care, in accordance with current safety regulations, and is covered by a 24-month warranty.

We will repair any breakdowns caused by material or manufacturing defects by fixing the defective pieces or replacing them at our discretion. Should assistance be asked for during the warranty period, the expiry date of this warranty will remain unchanged.

This warranty will not cover any defects due to wear, misuse,

or breakdowns caused by blows and/or falls. In addition, this warranty will no longer be valid if any changes are made, or if the tool is tampered with or sent to the customer service in pieces.

This warranty explicitly excludes any damage to people and/or things, whether direct or consequential.

**DECLARATION OF CONFORMITY TO THE "MACHINE"
DIRECTIVE**



we
BETA UTENSILI SPA

hereby certify, assuming full responsibility, that the product:

**REVERSIBLE AIR DRILL, 13 mm SELF-CLOSING CHUCK
item 1932RS13**

complies with the following standards, according to the requirements set by the "Machine Directive":
2006/42/CE.

Place and date of issue
SOVICO (MB) ITALY
January 2010

Name and title of the person in charge

ROBERTO CICERI
(President)

SPECIFICATIONS

CHUCK CAPACITY	1,5÷13 mm
SPINDLE THREAD	1/2" 20 UNC
FREE SPEED	750 RPM
POWER	0,55 KW
AIR INLET	1/4" taper GAS
WORKING PRESSURE	6,0 Bars
MAXIMUM WORKING PRESSURE	6,2 Bars
MINIMUM INTERNAL HOSE SIZE	10 mm
MAXIMUM AIR CONSUMPTION	210 l/min
WEIGHT	1,4 Kg
OVERALL LENGTH	223 mm
SOUND PRESSURE	87,0 dB (A) (pr EN 50144)
SOUND POWER	99,0 dB (A) (pr EN 50144)
VIBRATION LEVEL	3,29 m/sec ² (ISO 8662-7)