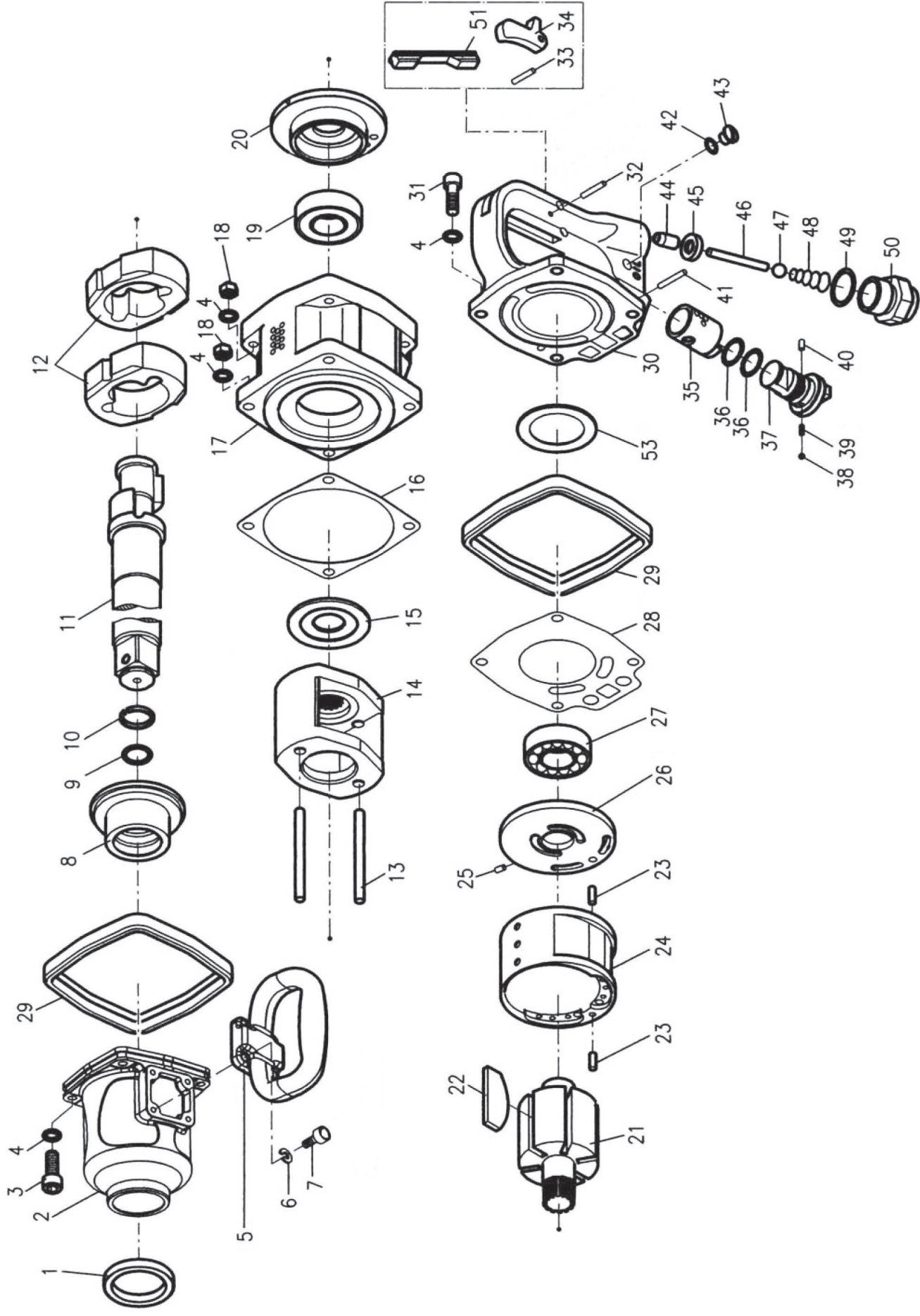
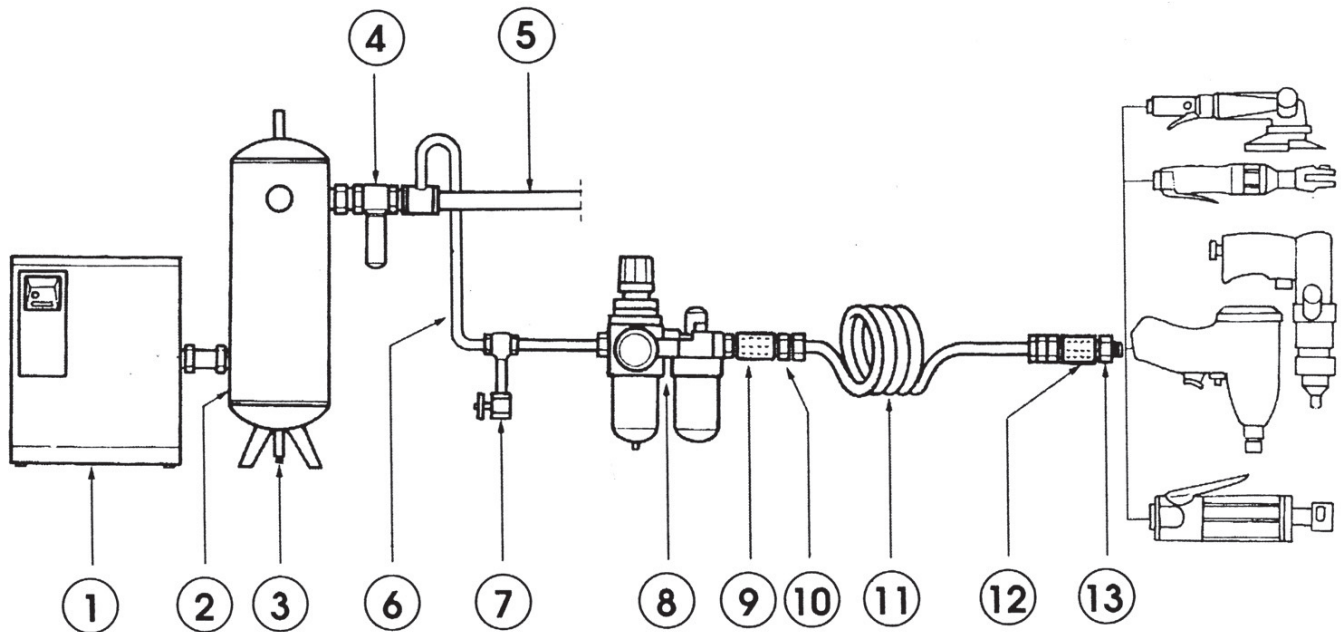




**1930LA**

**GB USER MANUAL**





- 1 AIR COMPRESSOR
- 2 AIR TANK
- 3 AUTOMATIC CONDENSATE DRAIN MAIN
- 4 FILTER
- 5 MAIN PIPEWORK
- 6 SUPPLY LINE
- 7 CONDENSATE DRAIN
- 8 FILTER-REGULATOR-LUBRICATOR 1/2"
- 9 COUPLER 1/2"
- 10 COUPLING 1/2"
- 11 HOSE 13 mm
- 12 COUPLER 1/2"
- 13 COUPLING 1/2"

**1" REVERSIBLE IMPACT WRENCH item  
1930LA**

<i>Part. No.</i>	<i>Code</i>	<i>Description</i>	<i>Part. No.</i>	<i>Code</i>	<i>Description</i>
01	1930 403	OIL SEAL	27	1930 313	BALL BEARING
02	1930 201	FRONT HOUSING	28	1930 220	GASKET
03	1930 202	ALLEN SCREW (4 PCS.)	29	1930 401	HOUSING PROTECTION (2 PCS.)
04	1930 203	SPRING WASHER (16 PCS.)	30	1930 221	REAR HANDLE
05	1930 363	HANDLE	31	1930 222	ALLEN SCREW (4 PCS.)
06	1930 361	WASHER (4 PCS.)	32	1930 387	SPRING
07	1930 362	SCREW (4 PCS.)	33	1930 223	PIN
08	1930 405	BUSHING	34	1930 224	TRIGGER
09	1930 204	O-RING	35	1930 225	REVERSE VALVE BUSHING
10	1930 305	RETAINER RING	36	1930 226	O-RING (2 PZ.)
11	1930 205	ANVIL	37	1930 227	REVERSE VALVE
12	1930 206	HAMMER (2 PCS.)	38	1930 228	STEEL BALL
13	1930 207	HAMMER PIN (2 PCS.)	39	1930 229	SPRING
14	1930 208	HAMMER CAGE	40	1930 378	SPRING PIN
15	1930 209	SPACER	41	1930 230	SPRING PIN
16	1930 210	GASKET	42	1930 231	O-RING
17	1930 211	HOUSING	43	1930 232	OILER SCREW
18	1930 212	NUT (10 PZ.)	44	1930 233	VALVE SEAT
19	1930 213	BALL BEARING	45	1930 393	BUSHING
20	1930 214	FRONT END PLATE	46	1930 234	STEM VALVE
21	1930 215	ROTOR	47	1930 394	STEEL BALL
22	1930 373	VANES SET (6 PCS.)	48	1930 395	SPRING
23	1930 216	ELASTIC PIN (2 PCS.)	49	1930 235	O-RING
24	1930 217	CYLINDER	50	1930 236	AIR INLET
25	1930 218	ELASTIC PIN	51	1930 237	RUBBER PROTECTION
26	1930 219	REAR END PLATE	53	1930 238	GASKET

## 1" REVERSIBLE IMPACT WRENCH item 1930LA

### INSTRUCTION MANUAL FOR IMPACT WRENCHES AND RATCHETS

#### TO BE ABSOLUTELY DELIVERED TO THE USER

To reduce the risk of any, damage to people, before using or repairing the tool, doing any maintenance jobs or replacing any accessories,  
**READ ALL THE SECTIONS OF THE INSTRUCTION MANUAL CAREFULLY.**

#### SAFETY ISTRUCTIONS FOR IMPACT WRENCHES

It is our aim to supply air tools which allow you to work efficiently and SAFELY.

It is however understood that YOU are the most important 'safety device' for any tool, as taking meticulous care is the best way of preventing injury.

Although we cannot enumerate all types of risks here, we tried to lay stress on some of the most significant ones.

Let us remind you that this tool must be used only by skilled workers and that the machine must never be forced; do not overload the tool.

#### RISKS DUE TO CONNECTION TO COMPRESSED AIR

Compressed air may harm people severely.

Do not direct air towards you or any other people.

The air coming out of the hoses may harm people severely; periodically check whether the hoses and/or fittings are loose and/or have been damaged.

Whipping hoses may cause severe damage.

Before handling the tool, close the main plant, release residual pressure and disconnect the tool only when it is not working.

Pressure must not exceed 6.2 bar, as measured at the air inlet while the tool is working, or the value shown on the tool plate.

#### RISKS OF VARIOUS KINDS

Stay at a safety distance from the rotating parts of the tool.

Do not wear any accessory round your neck, such as chains or necklaces. Do not wear any bracelets or loose clothes.

Avoid contact of accessories and tools with your hair.

Avoid contact with any accessories in motion, while the tool is being used or after it has been used.

**Always wear work gloves to reduce the risk of cutting and burning yourself.**

#### RISKS DUE TO SPLINTERS AND FRAGMENTS

Warning: small splinters and fragments may also harm your eyes and result in blindness.

**Always wear eye protection while using the tool, doing any maintenance jobs and replacing any accessories or spare parts. This measure must also be taken by anyone who works nearby.**

Use only impact sockets in good condition, fixing them with an O-ring and a locking pin where the spindle makes this possible. Do not use any hand sockets.

No joints and extensions should be used, as they affect the efficiency of the wrench and result in an increased risk of breakdowns. Therefore, we recommend using long impact sockets only when needed.

Do not use the tool improperly, as it might work too quickly, thus causing the accessories to be ejected.

#### RISKS RELATED TO WORKING CONDITIONS

Mind too long hoses left at the work station; stumbling and falling is likely to result in severe injury.

High noise levels may result in permanent loss of hearing; **wear ear protection, as recommended by the employer and/or the regulations.**

Stay in a safe, well-balanced position.

Repetitive movements and awkward positions combined with vibrations may cause your hands and arms to be harmed; special precautions should be taken.

**Do not breathe dust and waste; partially protect yourself with a filtering mask.**

Both the workers and the maintainers must be physically fit for the size, weight and power of this tool.

This tool was not designed to be used in areas exposed to the risk of explosion and is not so insulated as to come into contact with power sources.

#### OTHER SAFETY REQUIREMENTS

This tool and its parts and accessories must not be modified and/or tampered with.

The building material of this tool may be subject to wear.

Working with compressed air tools may result in high vibrations; therefore, take any precautions needed.

Prevent your hands from being trapped between the tool and any object.

#### FOR FURTHER INFORMATION ABOUT SAFETY REFER TO THE FOLLOWING:

The documents, information and instructions supplied with this tool;

The employer, trade associations and/or trade unions;

The EEC Council and/or local authorities

"Safety Requirements for Hand Held Non-Electric Tools", available at: European Committee for Standardization, Rue de Stassart 36, 1050 Brussels, Belgium.

#### REQUIREMENTS FOR PROPER AIR CONNECTION

Feed the tool with clean air, free from water or condensate, at a pressure of 6.0 bar, as measured at the air inlet, while the tool is working.

An excessively high pressure results in a shorter life for the mechanical parts and may cause people to be severely harmed.

Connect the tool to the feeding plant, using accessories of the same size as that shown in the enclosed drawing.

Do not fix any quick couplers directly into the air inlet.

Consult the instructions to connect the accessories properly.

Consult the specifications in this manual.

#### LUBRICATION

For optimal use, connect the tool to a filter-lubricator unit provided with an air-oil microfog mixer (items 1919F...), set at two drops per minute, pouring special oil ISO 32 (item 1919L) in. The above-mentioned accessories will translate into a high-performing tool and wear-resistant mechanical parts.

If the line is not supplied with any lubricator, pour oil ISO 32 or SAE #10 into the tool at least once a day.

Check on a monthly basis whether the clutch or the hammer device is properly lubricated. Use – if need be – SAE #30 for the clutches and bearing grease on the hammer devices.

**Do not use kerosene or diesel oil.**

#### MAINTENANCE

If the tool should not start back after it has not been used for quite long, disconnect it and turn the square drive by hand, thus preventing adhesion.

Disassemble and inspect the power unit and tool assembling every 3 months if the wrench is used every day, replacing any worn parts.

We recommend using the enclosed exploded view as a manual to disassemble and assemble the tool as well as to identify any

spare parts.  
Keep the tool away from dust, humidity and intense cold.

#### WARRANTY

This tool is manufactured and tested with the greatest care, in accordance with current safety regulations, and is covered by a 24-month warranty.

We will repair any breakdowns caused by material or manufacturing defects by fixing the defective pieces or replacing them at our discretion. Should assistance be asked for during the warranty period, the expiry date of this warranty will remain unchanged.

This warranty will not cover any defects due to wear, misuse, or breakdowns caused by blows and/or falls. In addition, this warranty will no longer be valid if any changes are made, or if the tool is tampered with or sent to the customer service in pieces.

This warranty explicitly excludes any damage to people and/or things, whether direct or consequential.

#### DECLARATION OF CONFORMITY TO THE "MACHINE" DIRECTIVE



hereby certify, assuming full responsibility, that the product:

#### 1" REVERSIBLE IMPACT WRENCH item 1930LA

complies with the following standards, according to the requirements set by the "Machine Directive":  
2006/42/CE

Place and date of issue  
SOVICO (MB) ITALY  
January 2010

Name and title of the person in charge

ROBERTO CICERI  
(President)

#### SPECIFICATIONS

SQUARE DRIVE	1"
BOLT CAPACITY (8.8)	M36 - 55 mm
BOLT CAPACITY (12.9)	M30 - 46 mm
FREE SPEED	4000 RPM
MAXIMUM TORQUE	2445 Nm
AIR INLET	1/2" taper GAS
WORKING PRESSURE	6,0 Bars
MAXIMUM WORKING PRESSURE	6,2 Bars
MINIMUM INTERNAL HOSE SIZE	13 mm
MAXIMUM AIR CONSUMPTION	460 l/min
WEIGHT	10,6 Kg
OVERALL LENGTH	536 mm
DEVICE	double hammer
SOUND PRESSURE	95,6 dB (A)
SOUND POWER	97,1 dB (A)
VIBRATION LEVEL	3,6 m/sec <sup>2</sup> (ISO 8662-7)