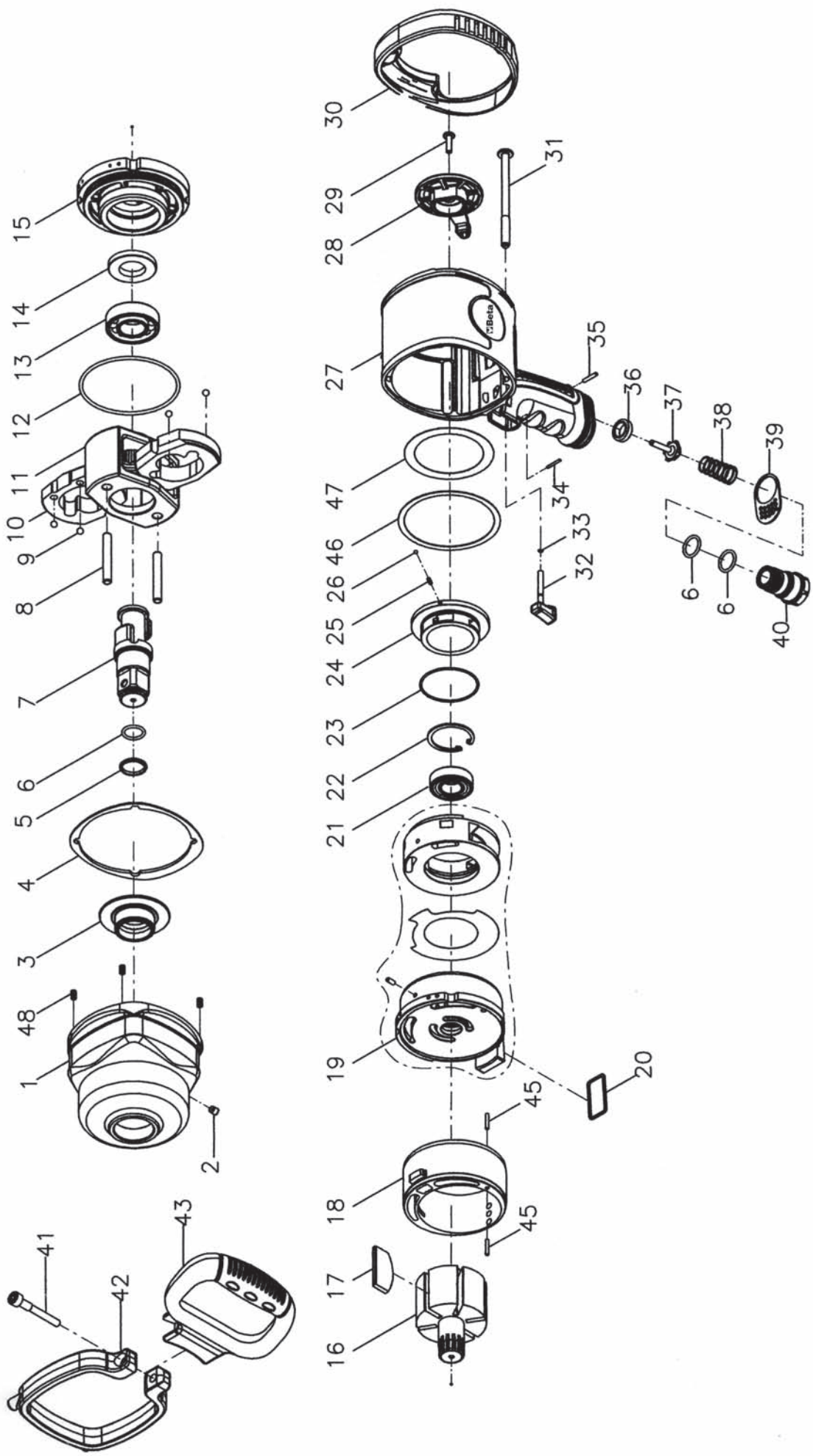
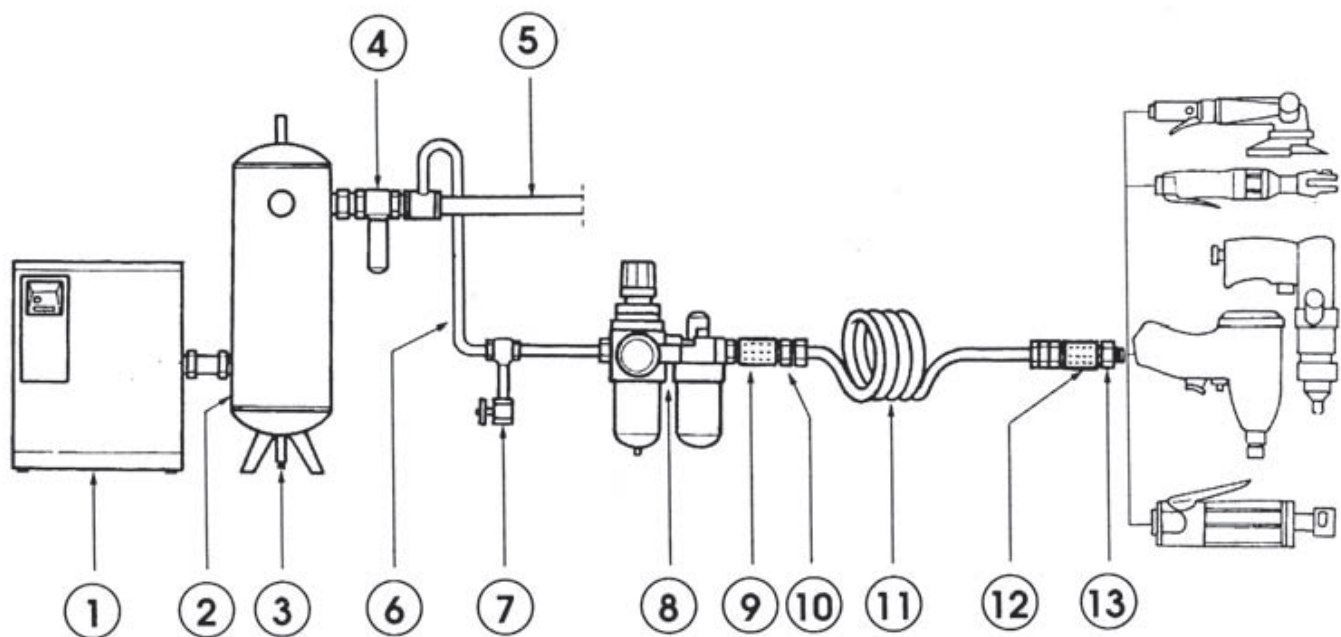




1930CD

GB USER MANUAL





- 1 AIR COMPRESSOR
- 2 AIR TANK
- 3 AUTOMATIC CONDENSATE DRAIN MAIN
- 4 FILTER
- 5 MAIN PIPEWORK
- 6 SUPPLY LINE
- 7 CONDENSATE DRAIN
- 8 FILTER-REGULATOR-LUBRICATOR 1/2"
- 9 COUPLER 1/2"
- 10 COUPLING 1/2"
- 11 HOSE 13 mm
- 12 COUPLER 1/2"
- 13 COUPLING 1/2"

1" REVERSIBLE IMPACT WRENCH item 1930CD

<i>Part. No.</i>	<i>Code</i>	<i>Description</i>	<i>Part. No.</i>	<i>Code</i>	<i>Description</i>
01	1930 0301	<i>Front Housing</i>	25	1930 0325	<i>Spring</i>
02	1930 0302	<i>Greaser</i>	26	1930 0326	<i>Steel Ball</i>
03	1930 0303	<i>Bushing</i>	27	1930 0327	<i>Housing</i>
04	1930 0304	<i>Gasket</i>	28	1930 0328	<i>Reverse Lever</i>
05	1930 0305	<i>Retainer Ring</i>	29	1930 0329	<i>Screw</i>
06	1930 0306	<i>O-Ring</i>	30	1930 0330	<i>Collar</i>
07	1930 0307	<i>Anvil</i>	31	1930 0331	<i>Screw (4 pcs)</i>
08	1930 0308	<i>Hammer Pin (2 pcs)</i>	32	1930 0332	<i>Trigger</i>
09	1930 0309	<i>Steell Ball (4 pcs)</i>	33	1930 0333	<i>O-Ring</i>
10	1930 0310	<i>Hammer (2 pcs)</i>	34	1930 0334	<i>Spring Pin</i>
11	1930 0311	<i>Hammer Cage</i>	35	1930 0335	<i>Spring Pin</i>
12	1930 0312	<i>O-Ring</i>	36	1930 0336	<i>Bushing</i>
13	1930 0313	<i>Ball Bearing</i>	37	1930 0337	<i>Valve Stem</i>
14	1930 0314	<i>Oil Seal</i>	38	1930 0338	<i>Spring</i>
15	1930 0315	<i>Front End Plate</i>	39	1930 0339	<i>Exhaust Deflector</i>
16	1930 0316	<i>Rotor</i>	40	1930 0340	<i>Air Inlet (1/2")</i>
17	1930 0317	<i>Vanes set (6 pcs)</i>	41	1930 0341	<i>Cap Screw</i>
18	1930 0318	<i>Cylinder</i>	42	1930 0342	<i>Handle Ring</i>
19	1930 0319	<i>Rear End Plate Set</i>	43	1930 0343	<i>Handle</i>
20	1930 0320	<i>Square Ring</i>	45	1930 0345	<i>Spring Pin (2 pcs)</i>
21	1930 0321	<i>Ball Bearing</i>	46	1930 0346	<i>Gasket</i>
22	1930 0322	<i>Snap Ring</i>	47	1930 0347	<i>Washer</i>
23	1930 0323	<i>O-Ring</i>	48	1930 0348	<i>Insert Recoil (4 pcs)</i>
24	1930 0324	<i>Reverse Valve</i>			

1" REVERSIBLE IMPACT WRENCH item 1930CD

INSTRUCTION MANUAL FOR IMPACT WRENCHES AND RATCHETS

TO BE ABSOLUTELY DELIVERED TO THE USER

To reduce the risk of any, damage to people, before using or repairing the tool, doing any maintenance jobs or replacing any accessories,
READ ALL THE SECTIONS OF THE INSTRUCTION MANUAL CAREFULLY.

SAFETY INSTRUCTIONS FOR IMPACT WRENCHES

It is our aim to supply air tools which allow you to work efficiently and SAFELY.

It is however understood that YOU are the most important 'safety device' for any tool, as taking meticulous care is the best way of preventing injury.

Although we cannot enumerate all types of risks here, we tried to lay stress on some of the most significant ones.

Let us remind you that this tool must be used only by skilled workers and that the machine must never be forced; do not overload the tool.

RISKS DUE TO CONNECTION TO COMPRESSED AIR

Compressed air may harm people severely.

Do not direct air towards you or any other people.

The air coming out of the hoses may harm people severely; periodically check whether the hoses and/or fittings are loose and/or have been damaged.

Whipping hoses may cause severe damage.

Before handling the tool, close the main plant, release residual pressure and disconnect the tool only when it is not working.

Pressure must not exceed 6.2 bar, as measured at the air inlet while the tool is working, or the value shown on the tool plate.

RISKS OF VARIOUS KINDS

Stay at a safety distance from the rotating parts of the tool.

Do not wear any accessory round your neck, such as chains or necklaces. Do not wear any bracelets or loose clothes.

Avoid contact of accessories and tools with your hair.

Avoid contact with any accessories in motion, while the tool is being used or after it has been used.

Always wear work gloves to reduce the risk of cutting and burning yourself.

RISKS DUE TO SPLINTERS AND FRAGMENTS

Warning: small splinters and fragments may also harm your eyes and result in blindness.

Always wear eye protection while using the tool, doing any maintenance jobs and replacing any accessories or spare parts. This measure must also be taken by anyone who works nearby.

Use only impact sockets in good condition, fixing them with an O-ring and a locking pin where the spindle makes this possible. Do not use any hand sockets.

No joints and extensions should be used, as they affect the efficiency of the wrench and result in an increased risk of breakdowns. Therefore, we recommend using long impact sockets only when needed.

Do not use the tool improperly, as it might work too quickly, thus causing the accessories to be ejected.

RISKS RELATED TO WORKING CONDITIONS

Mind too long hoses left at the work station; stumbling and falling is likely to result in severe injury.

High noise levels may result in permanent loss of hearing; **wear ear protection, as recommended by the employer and/or the regulations.**

Stay in a safe, well-balanced position.

Repetitive movements and awkward positions combined with vibrations may cause your hands and arms to be harmed; special precautions should be taken.

Do not breathe dust and waste; partially protect yourself with a filtering mask.

Both the workers and the maintainers must be physically fit for the size, weight and power of this tool.

This tool was not designed to be used in areas exposed to the risk of explosion and is not so insulated as to come into contact with power sources.

OTHER SAFETY REQUIREMENTS

This tool and its parts and accessories must not be modified and/or tampered with.

The building material of this tool may be subject to wear.

Working with compressed air tools may result in high vibrations; therefore, take any precautions needed.

Prevent your hands from being trapped between the tool and any object.

FOR FURTHER INFORMATION ABOUT SAFETY REFER TO THE FOLLOWING:

The documents, information and instructions supplied with this tool;

The employer, trade associations and/or trade unions;

The EEC Council and/or local authorities

"Safety Requirements for Hand Held Non-Electric Tools", available at: European Committee for Standardization, Rue de Stassart 36, 1050 Brussels, Belgium.

REQUIREMENTS FOR PROPER AIR CONNECTION

Feed the tool with clean air, free from water or condensate, at a pressure of 6.0 bar, as measured at the air inlet, while the tool is working.

An excessively high pressure results in a shorter life for the mechanical parts and may cause people to be severely harmed.

Connect the tool to the feeding plant, using accessories of the same size as that shown in the enclosed drawing.

Do not fix any quick couplers directly into the air inlet.

Consult the instructions to connect the accessories properly.

Consult the specifications in this manual.

LUBRICATION

For optimal use, connect the tool to a filter-lubricator unit provided with an air-oil microfog mixer (items 1919F 1/2"), set at two drops per minute, pouring special oil ISO 32 (item 1919L) in. The above-mentioned accessories will translate into a high-performing tool and wear-resistant mechanical parts.

If the line is not supplied with any lubricator, pour oil ISO 32 or SAE #10 into the tool at least once a day.

Check on a monthly basis whether the clutch or the hammer device is properly lubricated. Use – if need be – SAE #30 for the clutches and bearing grease on the hammer devices.

Do not use kerosene or diesel oil.

MAINTENANCE

If the tool should not start back after it has not been used for quite long, disconnect it and turn the square drive by hand, thus preventing adhesion.

Disassemble and inspect the power unit and tool assembling every 3 months if the wrench is used every day, replacing any worn parts.

We recommend using the enclosed exploded view as a manual to disassemble and assemble the tool as well as to identify any

spare parts.
Keep the tool away from dust, humidity and intense cold.

WARRANTY

This tool is manufactured and tested with the greatest care, in accordance with current safety regulations, and is covered by a 24-month warranty.

We will repair any breakdowns caused by material or manufacturing defects by fixing the defective pieces or replacing them at our discretion. Should assistance be asked for during the warranty period, the expiry date of this warranty will remain unchanged.

This warranty will not cover any defects due to wear, misuse, or breakdowns caused by blows and/or falls. In addition, this warranty will no longer be valid if any changes are made, or if the tool is tampered with or sent to the customer service in pieces.

This warranty explicitly excludes any damage to people and/or things, whether direct or consequential.

DECLARATION OF CONFORMITY TO THE "MACHINE" DIRECTIVE



hereby certify, assuming full responsibility, that the product:

1" REVERSIBLE IMPACT WRENCH item 1930CD

complies with the following standards, according to the requirements set by the "Machine Directive":
2006/42/CE

Place and date of issue
SOVICO (MB) ITALY
January 2010

Name and title of the person in charge

ROBERTO CICERI
(President)

SPECIFICATIONS

SQUARE DRIVE	1"
BOLT CAPACITY (8.8)	M36 55 mm
BOLT CAPACITY (12.9)	M30 46 mm
FREE SPEED	4000 RPM
MAXIMUM TORQUE	2445 Nm
AIR INLET	1/2" taper GAS
WORKING PRESSURE	6,0 Bars
MAXIMUM WORKING PRESSURE	6,2 Bars
MINIMUM INTERNAL HOSE SIZE	13 mm
MAXIMUM AIR CONSUMPTION	410 l/min
WEIGHT	7,1 Kg
OVERALL LENGTH	250 mm
DEVICE	double hammer
SOUND PRESSURE	95,6 dB (A) (pr EN 50144)
SOUND POWER	97,1 dB (A) (pr EN 50144)
VIBRATION LEVEL	3,6 m/sec ² (ISO 8662-7)