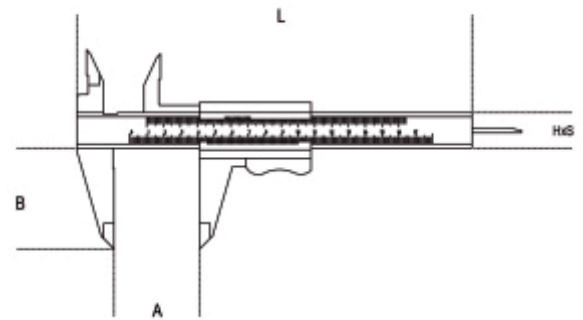


1650

Sliding gauge made from hardened stainless steel in leather sheath

UNI EN ISO 13385-1DIN

- Reading to 0.05 mm
- Spring locking



art.	A max mm	L mm	B mm	G mm	HxS mm	g
016500001	150	235	40	0,05-1/128	16x3	170
016500002	200	290	49	0,05-1/128		230