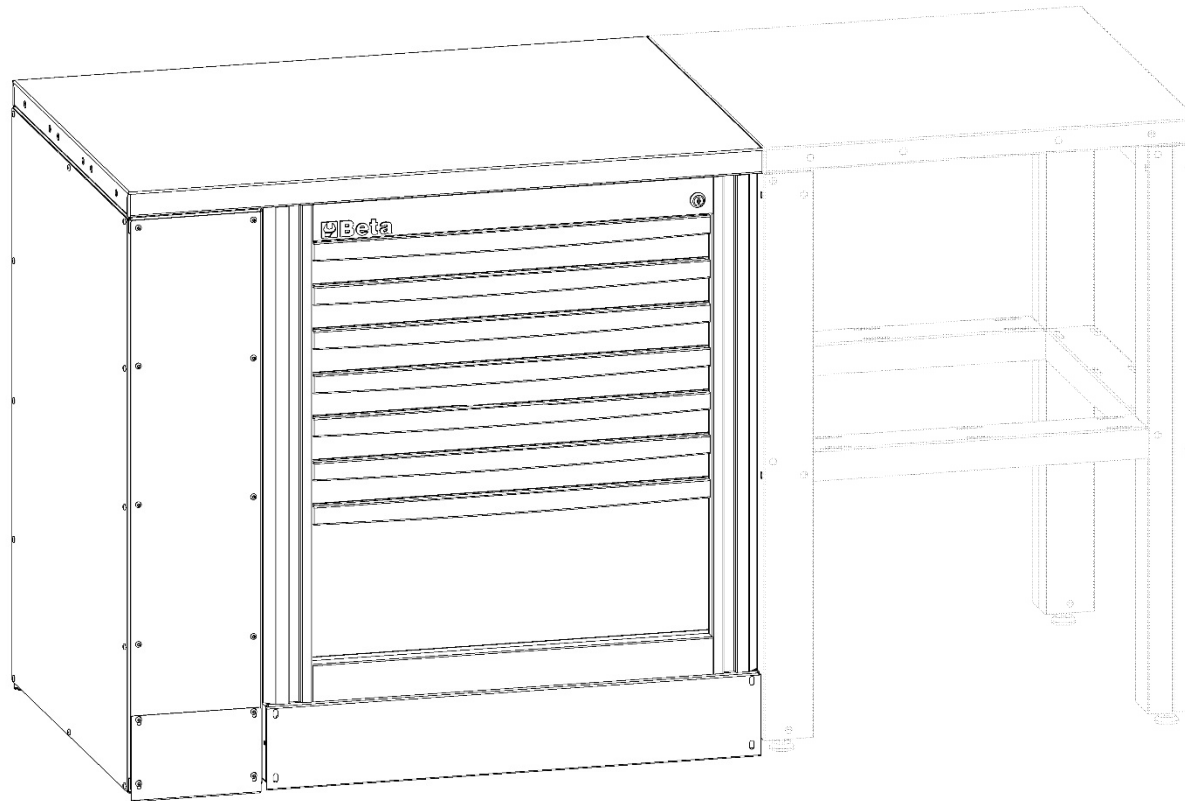
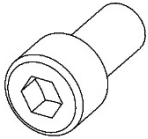
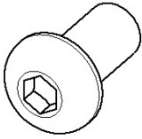
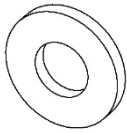
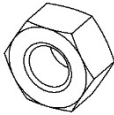


C55B/1
055000090



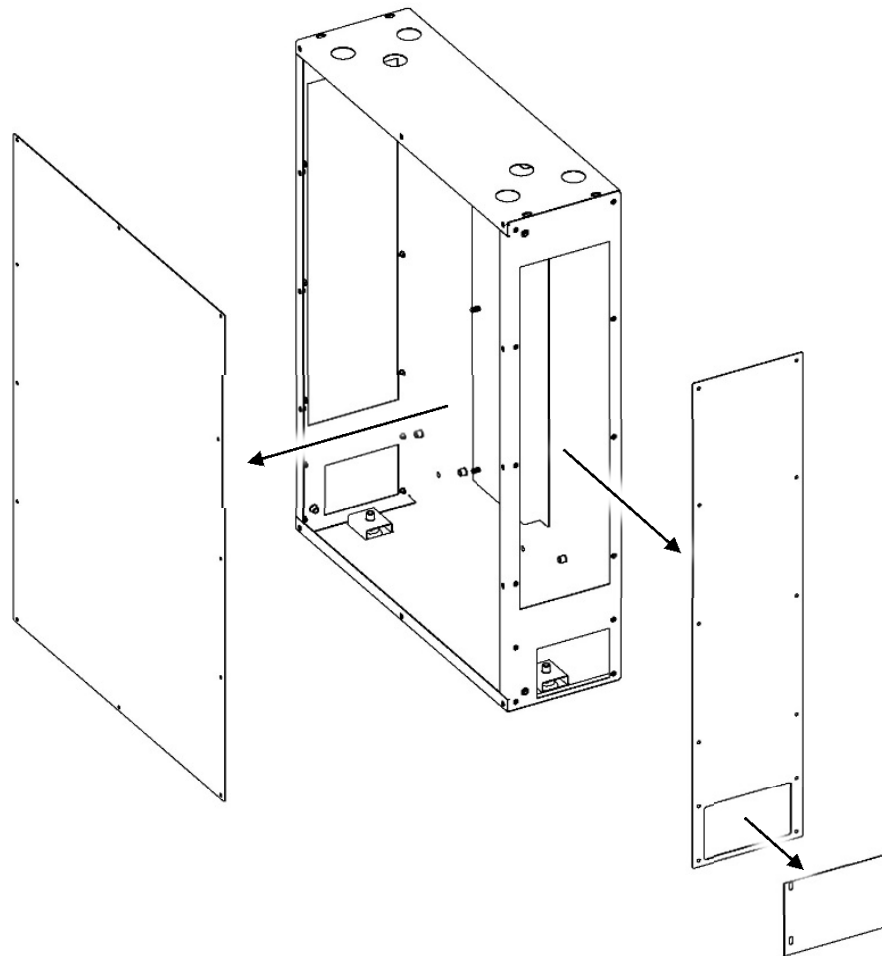
Code	Description	Pcs.
055000132	1m Worktop	1
055000095	Rear support crossbeam	1
055000096	Plain leg	1
055000203	Fixed module with 7 drawers	1

<p>A</p> 	<p>B</p> 	<p>C</p> 	<p>D</p> 
<p>M8 x 16 screw</p>	<p>M8 x 15 screw</p>	<p>washer D.8</p>	<p>M8 nut</p>

Commercial parts that you can find in the compositions, to fix the elements.

Plain leg

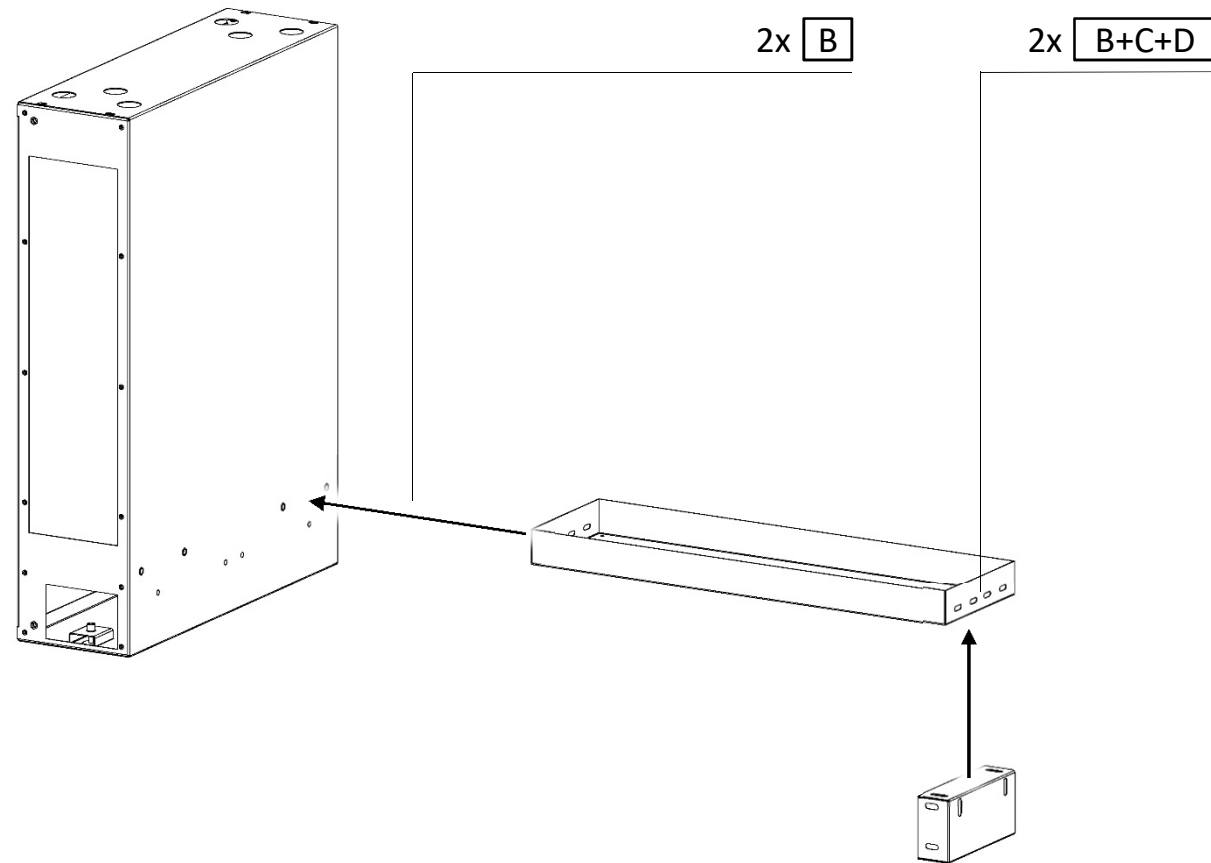
055000096



Remove the side cover, the front panel and the front window of the plain leg.

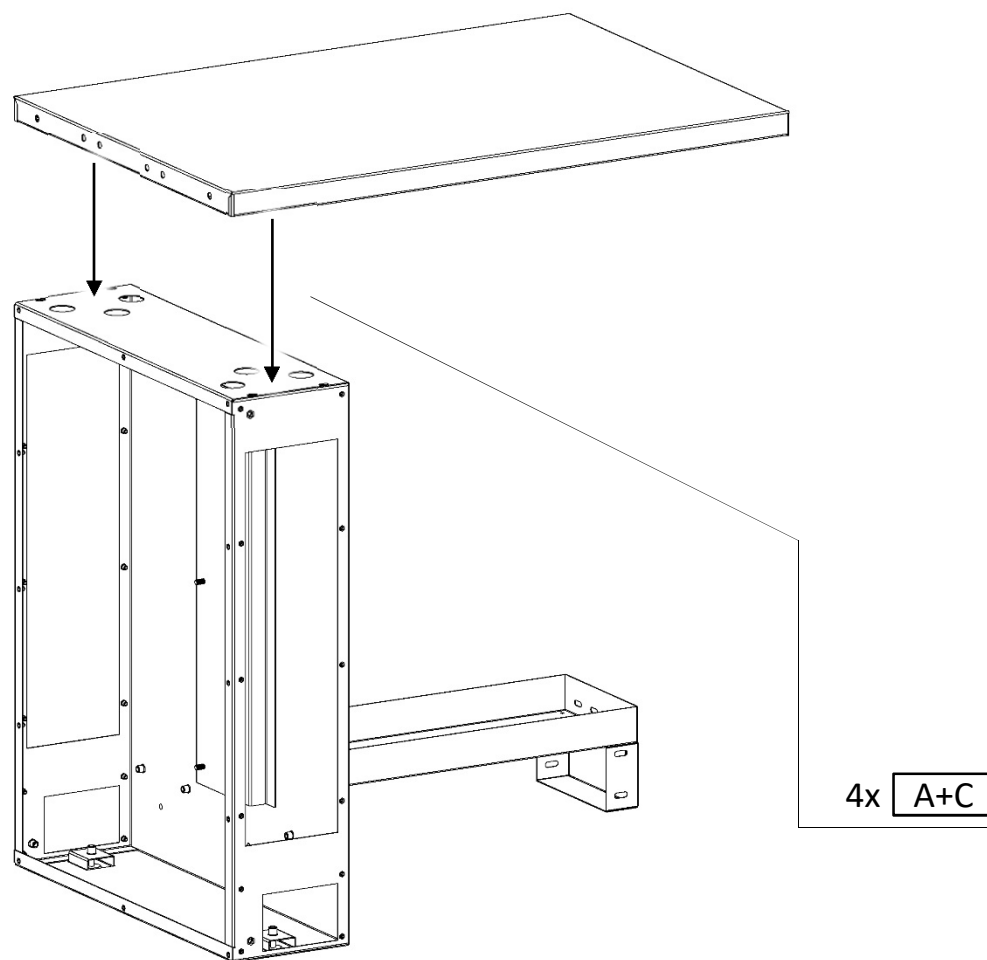
Rear support crossbeam

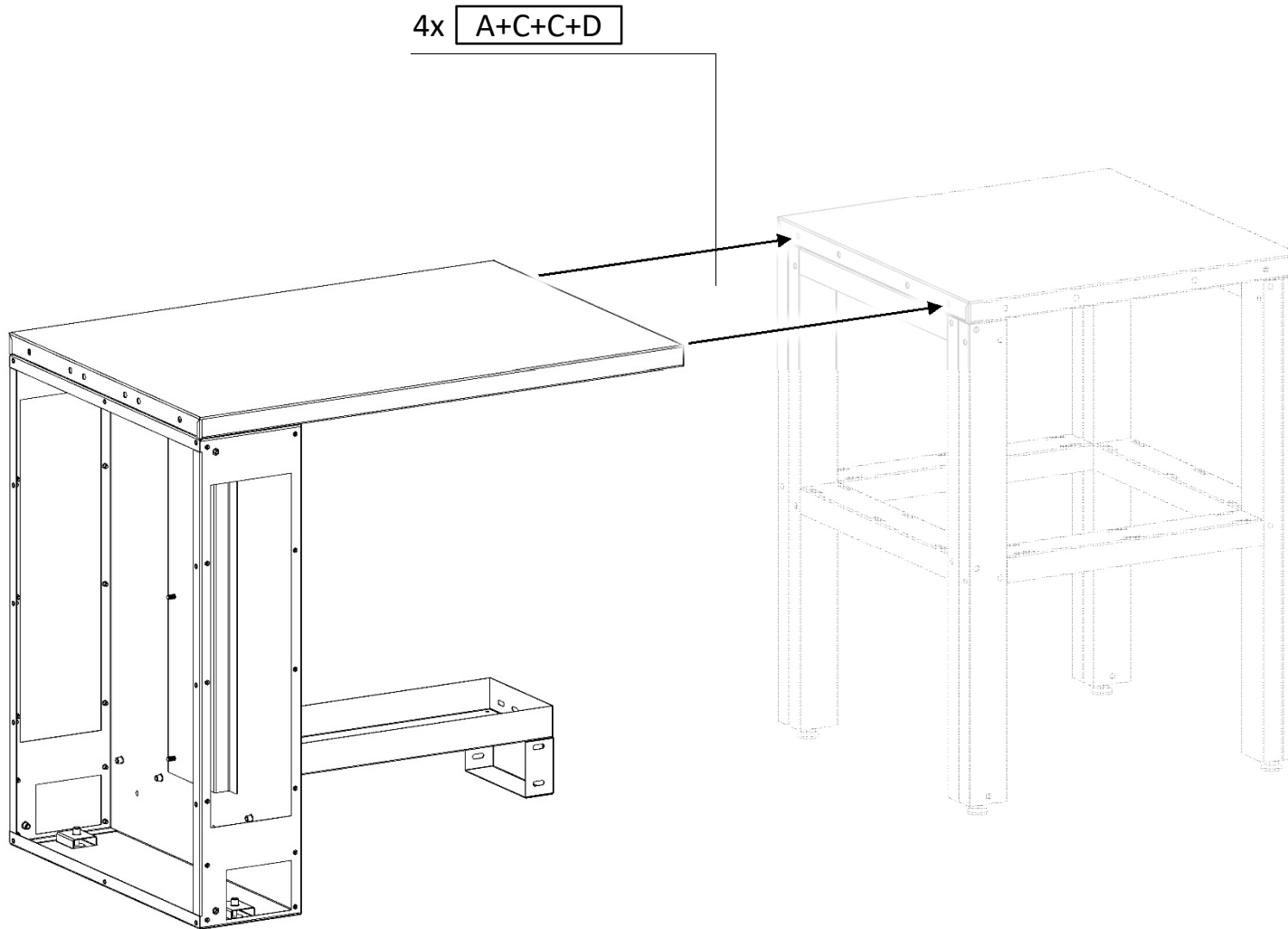
055000095

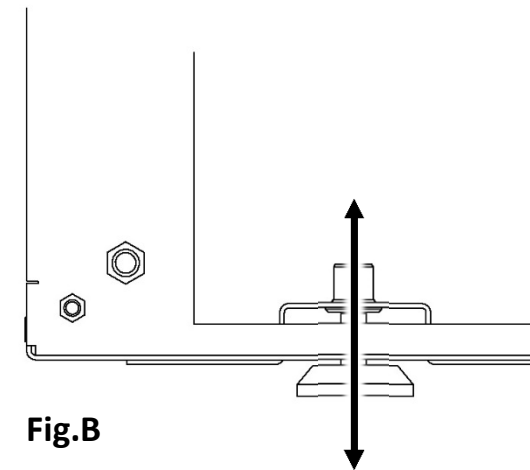
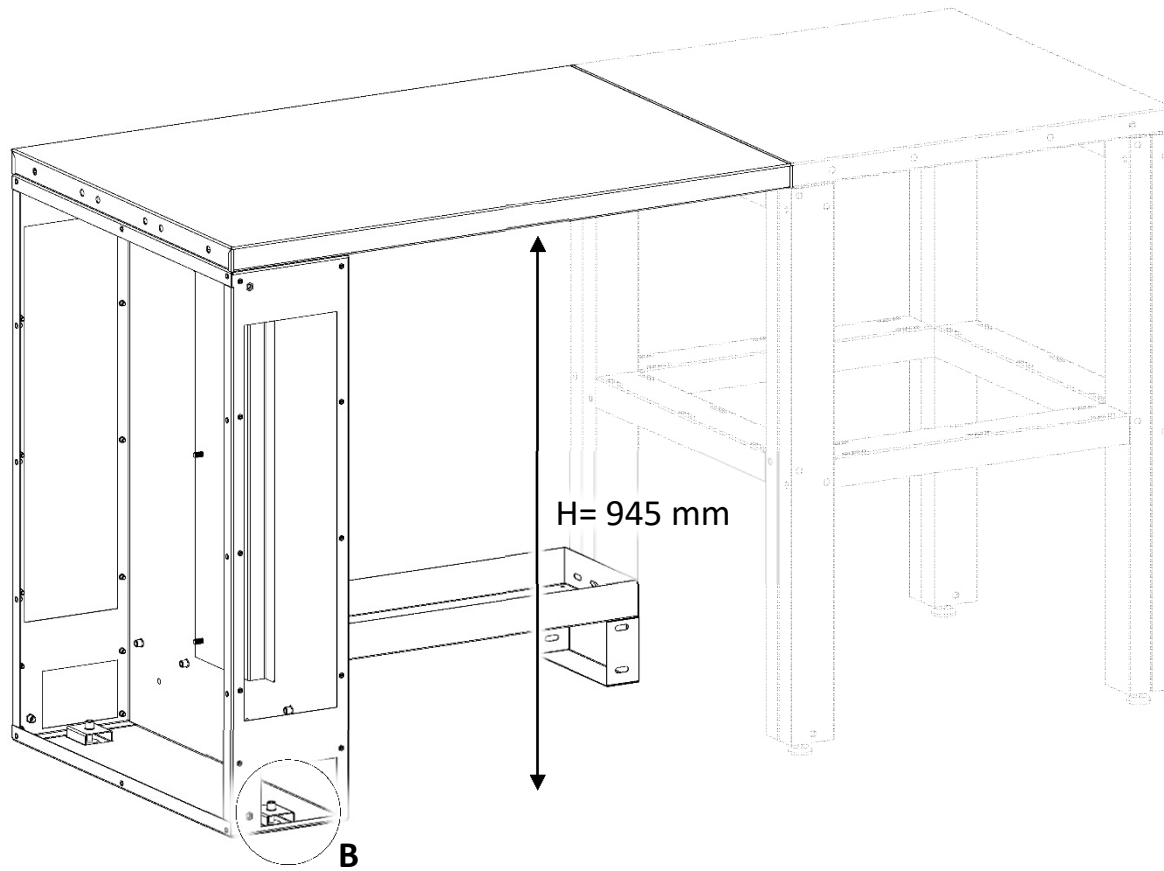


1m Worktop

055000132



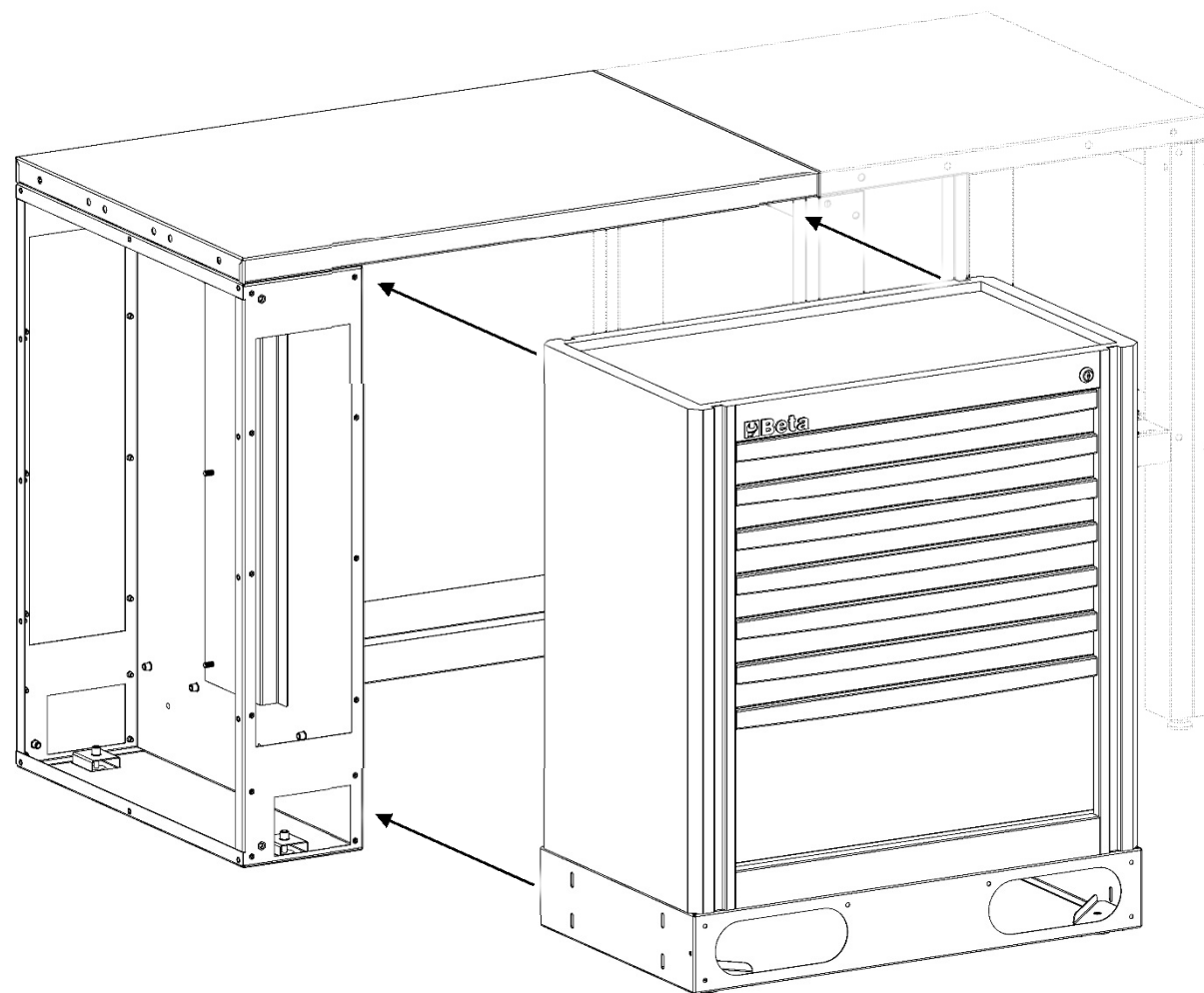




Adjust the 4 adjustable feet (Fig. B) to level the structure at the minimum height of 945 mm from the floor

Fixed module with 7 drawers

055000203



Fixed module with 7 drawers

055000203

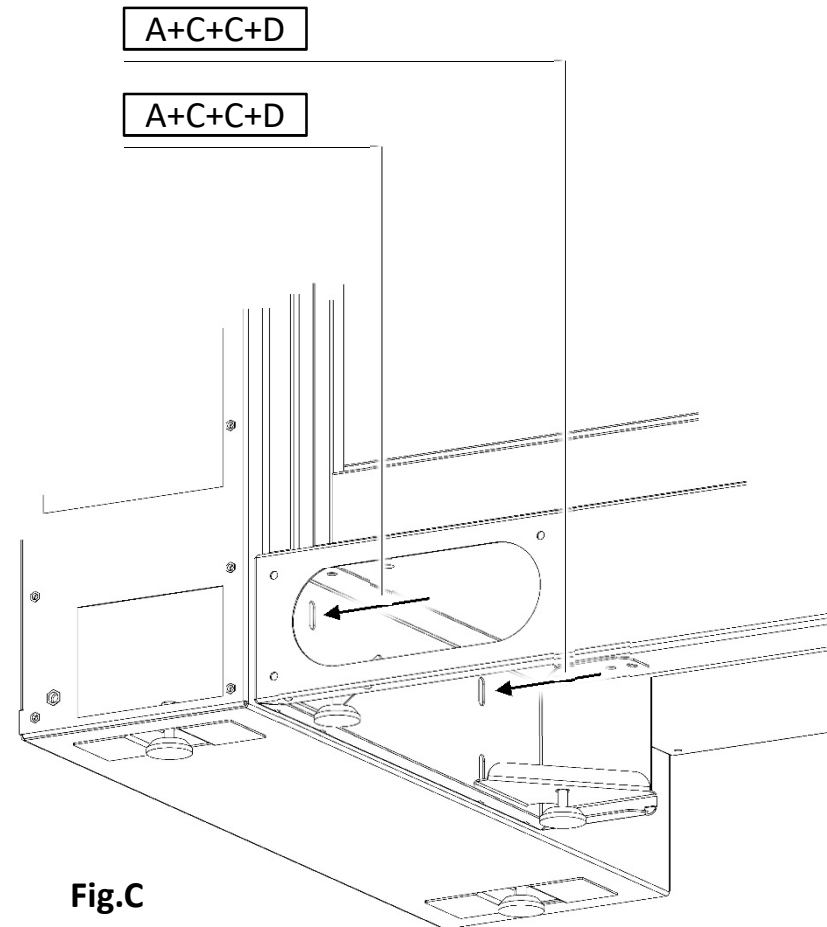
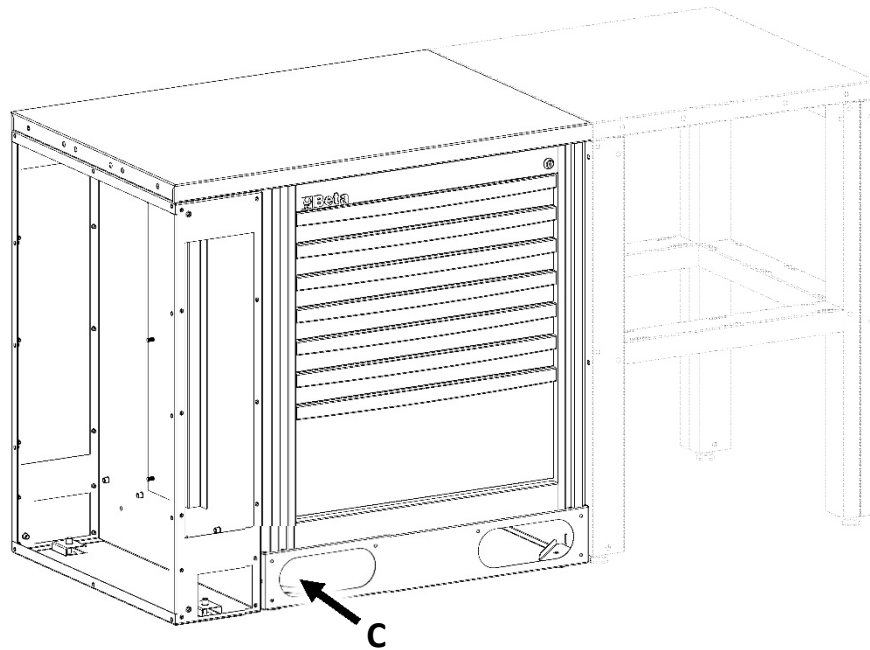


Fig.C

