



## Operating Instructions for Model 8900 Series Retractable Reel

Multiple Patents Pending

Electrical Rating - All models use 125 Volts 60 Hz

**CAUTION - TO REDUCE THE RISK OF ELECTRIC SHOCK AND FIRE - PULL PLUG WHEN SERVICING, CONNECTING/DISCONNECTING FROM THE CORD REEL OR WHEN RE-LAMPING**

### CAUTION

DO NOT use this cord reel in explosive atmospheres, near flammable liquids, or where explosion proof lamps are required.

DO NOT use in the proximity of vehicles or equipment when there is a risk of flammable liquids coming into contact with the hand lamp.

DO NOT immerse in water.

DO NOT use in areas where water can accumulate or in rain or mist.

**CAUTION:** Risk of Electric Shock – For Light Duty Dry Location Use Only.

**GENERAL USE CORD REEL ONLY. NOT FOR HARD USE. FOR INDOOR DRY LOCATION USE ONLY**

**WARNING: NOT FOR USE ABOVE HAZARDOUS LOCATIONS**

**CAUTION: DO NOT USE IN HAZARDOUS LOCATIONS AS REQUIRED BY THE CANADIAN ELECTRICAL CODE, PART I**

### IMPORTANT SAFETY INSTRUCTIONS

This product has a 3 prong polarized plug on the power cord. Do not attempt to bypass this safety feature by removing the round plug and defeat his safety feature. This plug will fit into a grounded outlet only one way. If the plug does not fit fully into the outlet, contact a qualified electrician. Never use with a two wire extension cord.

**CAUTION: PULL OUT CORD TO FULL LENGTH WHEN USING RECEPTACLE**

**CAUTION: DO NOT ALLOW THE CORD TO RETRACT BY ITSELF AS DAMAGE OR INJURY MAY OCCUR FROM EXCESSIVE REWIND SPEED**

**CAUTION: DRYWALL WILL NOT HOLD THE WEIGHT OF THE REEL ASSEMBLY**

**CAUTION: READ AND UNDERSTAND MOUNTING INSTRUCTIONS BEFORE ATTEMPTING INSTALLATION AND USE OF THIS PRODUCT**

Thank you for purchasing this Bayco cord reel. Please read these instructions before using.

### OPERATION

To operate, plug into a 120 Volt 60 HZ grounded outlet. For units with 3 or 4 outlets the LED in the receptacle block lights when power is applied.

### FEATURES

- The cord on the reel has a polarized 3 prong plug
- Mounts on ceiling or wall
- Adjustable cord-stop.

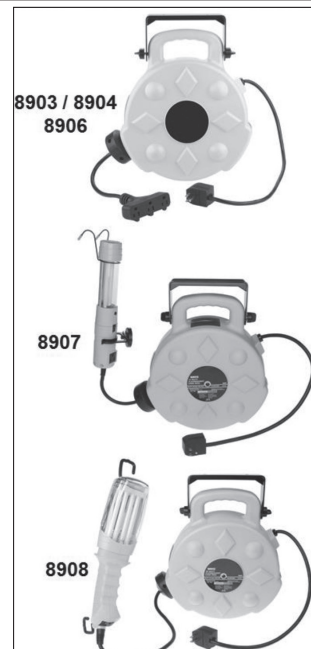
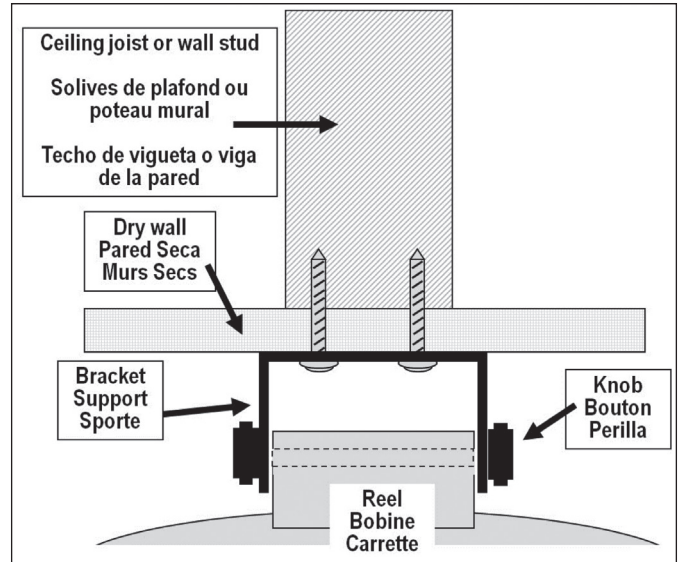
Model	Receptacle Amperage	Wire Gage	Cord Length	
8903	13	14/3 SJTW	50 ft	3 outlets
8904 8904-40	15	12/3 SJTW	50 ft 40 ft	4 outlets
8906	15	12/3 SJEOW	50 ft	4 outlets
8907	12	14/3 SJTW	50 ft	13 W Fluorescent
8908	12	14/3 SJTW	50 ft	26 W Fluorescent

### MOUNTING INSTRUCTIONS

#### CEILING OR WALL INSTALLATION

1. Select a location within 2 feet of an electrical outlet. The outlet for a garage door opener is desirable.

2. Remove the knobs holding the mounting bracket to the reel. Locate a ceiling joist and using the mounting bracket as a template, mark the holes so they are centered on the ceiling joist.
3. Drywall will not hold the weight of the reel assembly, so locate a ceiling joist or wall stud and using the mounting bracket as a template, mark the holes so they are centered on the ceiling joist or stud.
4. Attach the mounting bracket to the stud using the 2 wood screws provided.
5. Align the holes on the side of the reel with the holes in the side of the mounting bracket and insert the knobs. Tighten knobs securely.
6. Adjust the cord stop to hold the receptacle at the desired length when the cord is retracted.



### SAFETY / CARE

- Caution: do not allow the cord to retract by it self as damage or injury may occur from excessive rewind speed.
- Adjust the cord stop to hold the receptacle at the desired length when the cord is retracted.
- Before cleaning the reel always unplug from the power source.
- Clean the outside of the cord reel only. Use a soft cloth with mild detergent. Do not use petroleum based to clean the cord reel. Never immerse the cord reel or receptacles or work lights in water. Dry thoroughly before attempting to reattach to power source.