



INS-1005-12

1000 Watt Halogen Work Light Important safety instructions

**WARNING: Read all instructions carefully
SAVE THESE INSTRUCTIONS
CAUTION: RISK OF ELECTRICAL SHOCK**

- Do not use with extension cord near water or where water may accumulate.
- Keep plugs and receptacles dry.
- For use only on GFCI protected circuits.
- Risk of burns, do not operate without guard. (See assembly instructions.)
- **Lighted lamp is hot.** Keep away from combustibles. Unplug to change bulb. Do not touch bulb

WARNING RISK OF FIRE, ELECTRIC SHOCK, EXPOSURE TO EXCESSIVE UV RADIATION OR INJURY TO PERSONS

- Unit operates on 120V AC 60 Hz only
- Unplug and allow cooling before replacing bulb.
- Bulb gets **HOT** quickly
- Do not touch hot lens guard or enclosure.
- Do not remain in light if skin feels warm.
- Do not look directly at lighted lamp.
- Keep lamp away from materials that may burn.
- Use only with a 500 Watt or smaller type T bulb.
- Do not touch the bulb at any time; use a soft cloth or gloves. Oil from skin may damage bulb.
- Do not operate the lamp with missing or damaged guard, lamp containment barrier or UV light filter.



SAVE THESE INSTRUCTIONS

WARNING: When using outdoor use work lights, basic safety precautions should always be followed to reduce the risk of fire, electrical shock, and personal injury, including the following:

- Use only three-wire outdoor extension cords that have three-prong grounding plug and receptacles that accept the appliance's plug.
- Ground Fault Circuit Interrupter (GFCI) protection should be provided on the circuit(s) or outlet(s) to be used for the wet location work light. Receptacles are available having built-in GFCI protection and are able to be used for this measure of safety.

- Use only an extension cord for outdoor use, such as an extension cord of cord type SW, SW-A, SOW, SOW -A, STW, STW-A, STOW, STOW-A, SIW, SIW-A, SIOW, SIOW-A, SJTW, SJTW-A, or SJTOW, SJTOW-A.

BULB INSTALLATION AND REPLACEMENT DO NOT TOUCH BULB WITH BARE HANDS

1. Turn the light off and unplug from the power source.
2. Allow the fixture to fully cool before proceeding.
3. Always wear gloves or use a clean cloth to handle bulb. The natural oil from skin will leave a residue that will cause the light to burn out immediately.
4. To remove the lens cover, remove the retaining screw on the front of the lens cover. The lens cover will then swing open exposing the bulb.
5. To remove the bulb, grip one end of the bulb and gently push towards the other end and pull outward to release the bulb.
6. Using a clean cloth or wearing gloves to hold the bulb, gently insert one end of the bulb into the receptacle and press firmly into place. Place the other end of the bulb into the opposite receptacle and gently press into place. Make sure bulb is seated properly.
7. Close the lens cover and replace the retaining screw.
8. Do not test light without lens cover properly attached.

**WARNING: Read all instructions carefully
SAVE THESE INSTRUCTIONS
CAUTION: RISK OF ELECTRICAL SHOCK**

WARRANTY

PRODUCTS COVERED UNDER THIS LIMITED WARRANTY:

This product is warranted to the original purchaser for 1 year and only covers failures due to defects in materials or workmanship. If this product is used for rental purposes, the warranty term is reduced to 90 days from the date of purchase.

NOT COVERED

The warranty does not cover normal wear and tear or cosmetic damage. The Limited Warranty also does not cover damages which occurred in shipment or failures which are caused by accidents, misuse, abuse, faulty installation and lightning damage. Consequential damages, incidental damages or incidental expenses, including damage to property. Some states do not allow the exclusion or limitation of incidental or consequential damages, so the above limitation or exclusion may not apply to you. This warranty gives you specific legal rights, which may vary from state to state. This warranty does not apply to certain Bayco professional products that carry a specific warranty unique to those products.

WARRANTY CLAIMS - USA

Contact Bayco for USA warranty claims. Call and Bayco Customer Service will provide a Return Goods Authorization (RGA) to facilitate rapid warranty action. After receiving the RGA, send the product (shipping prepaid) to BAYCO. Include a dated proof of purchase and a brief description of the defect with your name, address and phone number. Your product will either be repaired or replaced at the option of Bayco and returned as soon as practical, but no later than 45 days after being received by Bayco.

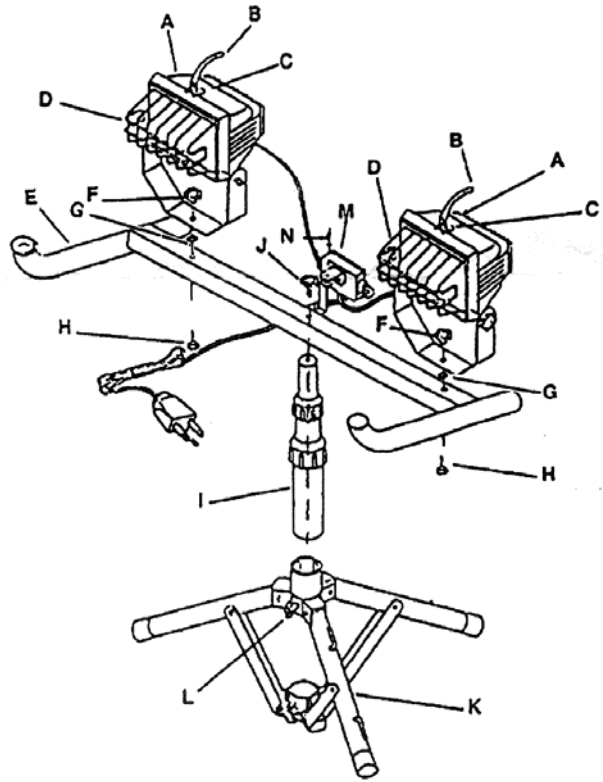
WARRANTY CLAIMS - CANADA

Return the product to the place where purchased with a dated proof of purchase and a brief description of the defect with your name, address and phone number. Your product will either be replaced or purchase price refunded.

REQUEST FOR WARRANTY ACTION

If you have any questions about this warranty or any other Bayco product inquiries contact BAYCO.

A	1000 watt halogen light assembly	2
B	Light handle	2
C	Light handle thumb screw	2
D	Grill guard	2
E	Light bar	1
F	Light bar knob/bolt	2
G	Light bar washer	1
H	Light bar bolt	2
I	Support pole	1
J	Support pole knob/bolt	1
K	Tripod stand	1
L	Tripod stand knob/bolt	1
M	Connection box	1
N	Connection box screw	1



Model 1005 Assembly Instructions for Double 500 Watt Halogen Tripod Light

1. Attach light handle (B) to 500 watt halogen light assembly using light handle thumb screw (C)
2. Attach 500 watt halogen light assemblies (A) to light bar (E) using light bar knob/bolt (F) light bar washer (G) and light bar bolt (H)
3. Fasten connection box (M) to light bar (E) using connection box screw (N)
4. Slide support pole (I) into the base of tripod stand (K) and tighten tripod stand knob / bolts (L).
5. Position light bar (E) on top of support pole (I) and attach with support pole knob / bolt (J)
6. Snap grill guard (D) over the lens on the 500 watt halogen light assembly (A)

To convert the tripod into a portable light:

- Remove support pole knob / bolt (J)
- Lift assembly at light fixture handle (B) to separate the unit from support pole (I)

**CAUTION-RISK OF BURNS DO NOT OPERATE WITHOUT GRILL GUARD
INSTALLATION INSTRUCTION OF GRILL GUARD**

Step 1:
Unscrew the lens cover in order to have enough space to insert the grill guard into the four corners around lens cover.

Step 2:
The grill guard must be inserted between the lens cover and glass lens

Step 3:
Screw the lens cover back on to light housing and tighten it gently
The light is ready for use.

