



Innovation Made Better™

Model SL-1002 500 Watt Halogen Work Light Important Safety Instructions



WARNING

READ ALL INSTRUCTIONS CAREFULLY

SAVE THESE INSTRUCTIONS

CAUTION: RISK OF ELECTRICAL SHOCK

- Do not use with extension cord near water or where water may accumulate.
- Keep plugs and receptacles dry.
- For use only on GFCI protected circuits.
- Risk of burns, do not operate without guard. (See assembly instructions.)
- Lighted lamp is hot. Keep away from combustibles. Unplug to change bulb. Do not touch bulb

WARNING RISK OF FIRE, ELECTRIC SHOCK, EXPOSURE TO EXCESSIVE UV RADIATION OR INJURY TO PERSONS

- Unit operates on 120V AC 60 Hz only
- Unplug and allow cooling before replacing bulb.
- Bulb gets HOT quickly
- Do not touch hot lens guard or enclosure.
- Do not remain in light if skin feels warm.
- Do not look directly at lighted lamp.
- Keep lamp away from materials that may burn.
- Use only with a 500 Watt or smaller type T bulb.
- Do not touch the bulb at any time; use a soft cloth or gloves. Oil from skin may damage bulb.
- Do not operate the lamp with missing or damaged guard, lamp containment barrier or UV light filter.

WARNING: When using outdoor use work lights, basic safety precautions should always be followed to reduce the risk of fire, electrical shock, and personal injury, including the following:

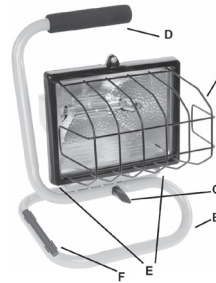
- Use only three-wire outdoor extension cords that have three-prong grounding plug and receptacles that accept the appliance's plug.
- Ground Fault Circuit Interrupter (GFCI) protection should be provided on the circuit(s) or outlet(s) to be used for the wet location work light. Receptacles are available having built-in GFCI protection and are able to be used for this measure of safety.
- Use only an extension cord for outdoor use, such as an extension cord of cord type SW, SW-A, SOW, SOW -A, STW, STW-A, STOW, STOW-A, SIW, SIW-A, SIOW, SIOW-A, SJTW, SJTW-A, or SJTOW, SJTOW-A.

BULB INSTALLATION AND REPLACEMENT

DO NOT TOUCH BULB WITH BARE HANDS

1. Turn the light off and unplug from the power source.
2. Allow the fixture to fully cool before proceeding.
3. Always wear gloves or use a clean cloth to handle bulb. The natural oil from skin will leave a residue that will cause the light to burn out immediately.
4. To remove the lens cover, remove the retaining screw on the front of the lens cover. The lens cover will then swing open exposing the bulb.
5. To remove the bulb, grip one end of the bulb and gently push towards the other end and pull outward to release the bulb.
6. Using a clean cloth or wearing gloves to hold the bulb, gently insert one end of the bulb into the receptacle and press firmly into place. Place the other end of the bulb into the opposite receptacle and gently press into place. Make sure bulb is seated properly.
7. Close the lens cover and replace the retaining screw.
8. Do not test light without lens cover properly attached.

ASSEMBLY INSTRUCTIONS

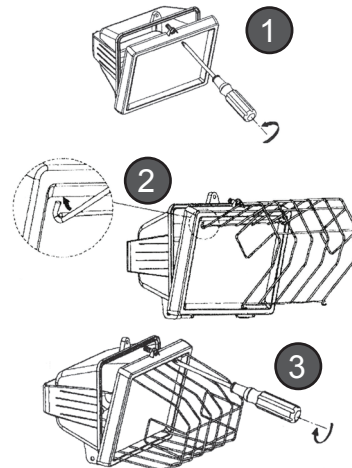


- A – Grill guard
- B – Stand
- C – Light assembly knob
- D – Handle assembly
- E – Tilt-adjustment screws

1. Attach 500 Watt halogen light assembly.
2. Slide handle assembly (D) into stand (B)
3. Secure by tightening light assembly knob (C)
4. Snap grill guard (A) over the light lens
5. Tighten 2 tilt-adjustment screws (E)

CAUTION-RISK OF BURNS DO NOT OPERATE WITHOUT GRILL GUARD

INSTALLATION INSTRUCTION OF GRILL GUARD



1. Unscrew the lens cover in order to have enough space to insert the grill guard into the four corners around lens cover.
 2. The grill guard must be inserted between the lens cover and glass lens
 3. Screw the lens cover back on to light housing and tighten it gently
- The light is ready for use.