

1200 Lumen LED Work Light

25ft Cord

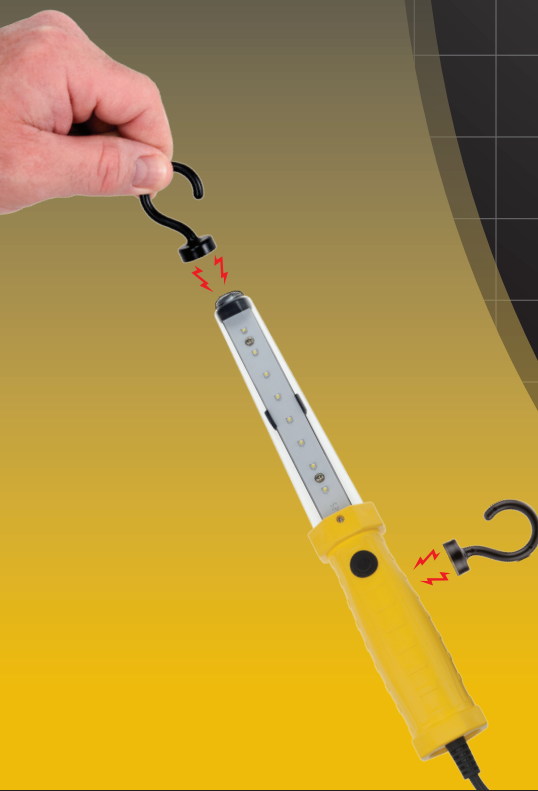


Innovation Made Better™

Model SL-2135
25 ft. cord



- High / Low brightness settings: 1,200 & 600 Lumens
- Two built-in magnets with magnetic hook
- Octagonal body design keeps the light in place when laid on its side
- Chemical / moisture / impact resistant housing
- 25' 18/2 SJT cord



1 Year Warranty

Model	Cord	Case Qty	UPC
SL-2135	25 ft 18/2 SJT	2	0 17398 80494 3



Innovation Made Better™

Instruction Manual

SL-2135

THANK YOU FOR PURCHASING THE SL-2135 LED WORK LIGHT.

SAVE THESE INSTRUCTIONS.

PLEASE READ THESE INSTRUCTIONS BEFORE USING YOUR WORK LIGHT.



ELECTRICAL RATING - 125 VOLTS 60 HZ

CAUTION

- DO NOT use in explosive atmospheres, near flammable liquids, or where explosion proof lamps are required.
- DO NOT use in the proximity of vehicles or equipment when there is a risk of flammable liquids coming into contact with the work light
- DO NOT immerse in water
- DO NOT use in areas where water can accumulate or in rain or mist
- CAUTION: Risk of Electric Shock – For Light Duty Dry Location Use Only

IMPORTANT SAFETY INSTRUCTIONS

- This product has a polarized plug (one blade is wider than the other). As a safety feature, this plug will fit in a polarized outlet only one way. If the plug does not fit fully in the outlet, reverse the plug. If it still does not fit, contact a qualified electrician. Never use with an extension cord unless the plug can be fully inserted. Do not attempt to defeat this safety feature.

WARNING: NOT FOR USE IN HAZARDOUS LOCATIONS

CAUTION: DO NOT USE IN HAZARDOUS LOCATIONS AS REQUIRED BY THE CANADIAN ELECTRICAL CODE, PART I

OPERATION

TURNING THE WORK LIGHT ON/OFF

The work light has a single sealed push button switch used to activate all lighting modes.

High-Brightness Floodlight

- Press the Push Button Switch one time.

Low-Brightness Floodlight

- Press the Push Button Switch a second time.

Turning the Work Light Off

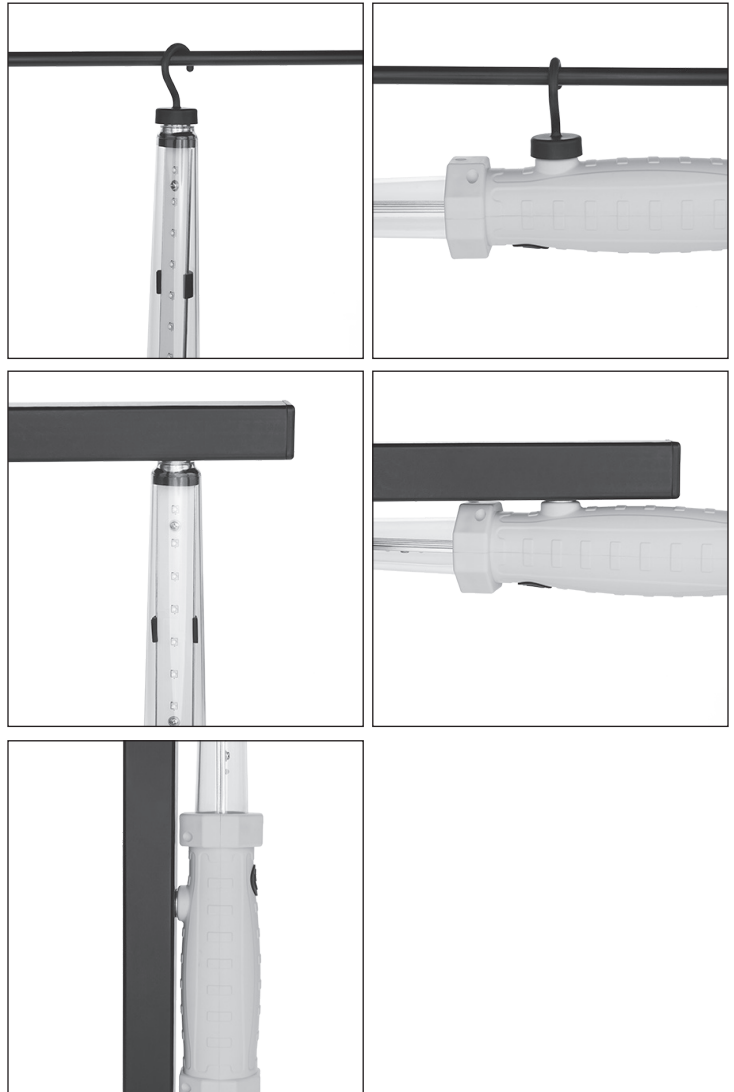
- Pressing the Push Button Switch a third time turns the light off

INTEGRATED MAGNETS AND MAGNETIC HOOK

- The work light has two integrated magnets, one in the body of the light and the other at the tip. These magnets will support the weight of the light when magnetically attached to a ferrous metal surface. The removable Magnetic Hook can also be

attached to either of the integrated magnets and offers additional hands-free options.

MAGNET AND MAGNETIC HOOK USAGE OPTIONS



Cleaning

- Disconnect the light from the power source
- Wipe with a clean dry soft cloth
- Do not use any solvent or abrasive cleaners

BAYCO PRODUCTS LIMITED 1-YEAR WARRANTY

WARRANTY

Bayco Products, Inc. warrants this product to be free from defects in workmanship and materials to the original purchaser for one (1) year from the date of purchase, and includes the LEDs, housing, lenses, electronics, switches, rechargeable batteries and chargers. Bulbs (other than LEDs) are covered for ninety (90) days from the date of purchase. Disposable non-rechargeable batteries are excluded from this warranty. Normal wear and failures which are caused by accidents, misuse, abuse, faulty installation and lightning damage are also excluded.

Consequential damages, incidental damages or incidental expenses, including damage to property are also not covered under this warranty. Some states do not allow the exclusion or limitation of incidental or consequential damages, so the above limitation or exclusion may not apply to you. This warranty gives you specific legal rights, which may vary from state to state.

IN NO EVENT WILL BAYCO PRODUCTS, INC. OR ITS AFFILIATES OR SUPPLIERS BE LIABLE FOR ANY INDIRECT, SPECIAL, INCIDENTAL OR CONSEQUENTIAL DAMAGES OF ANY KIND REGARDLESS OF THE FORM OF ACTION, WHETHER IN CONTRACT, TORT (INCLUDING NEGLIGENCE), STRICT LIABILITY OR OTHERWISE. THE TOTAL CUMULATIVE LIABILITY TO CUSTOMER, FROM ALL CAUSES OF ACTION AND ALL THEORIES OF LIABILITY, WILL BE LIMITED TO AND WILL NOT EXCEED THE PURCHASE PRICE OF THE PRODUCT PAID BY CUSTOMER.

If this product is used for rental purposes, the warranty term is reduced to 90 days from the date of purchase.

WARRANTY CLAIMS – USA

Return the product to the place of purchase for all warranty related issues. If this is not possible, contact Bayco Customer Service for a Return Goods Authorization (RGA). Do not return this product to Bayco without first receiving an RGA Number from Bayco Customer Service. When returning the product, the RGA Number must be written on the outside of the shipping box.

WARRANTY CLAIMS – OUTSIDE OF USA

Return the product to the place where purchased for all warranty related issues.

EXTENT OF COVERED WARRANTY WORK

Bayco will repair or replace this product at our option. If it is determined that the warranty is no longer in effect, Bayco will contact you with a repair estimate before beginning any work.

WARRANTY QUESTIONS

If you have any questions about this warranty or any other Bayco product inquiries, please contact Bayco Customer Service.

BAYCO PRODUCTS LIMITED 1-YEAR WARRANTY

WARRANTY

Bayco Products, Inc. warrants this product to be free from defects in workmanship and materials to the original purchaser for one (1) year from the date of purchase, and includes the LEDs, housing, lenses, electronics, switches, rechargeable batteries and chargers. Bulbs (other than LEDs) are covered for ninety (90) days from the date of purchase. Disposable non-rechargeable batteries are excluded from this warranty. Normal wear and failures which are caused by accidents, misuse, abuse, faulty installation and lightning damage are also excluded.

Consequential damages, incidental damages or incidental expenses, including damage to property are also not covered under this warranty. Some states do not allow the exclusion or limitation of incidental or consequential damages, so the above limitation or exclusion may not apply to you. This warranty gives you specific legal rights, which may vary from state to state.

IN NO EVENT WILL BAYCO PRODUCTS, INC. OR ITS AFFILIATES OR SUPPLIERS BE LIABLE FOR ANY INDIRECT, SPECIAL, INCIDENTAL OR CONSEQUENTIAL DAMAGES OF ANY KIND REGARDLESS OF THE FORM OF ACTION, WHETHER IN CONTRACT, TORT (INCLUDING NEGLIGENCE), STRICT LIABILITY OR OTHERWISE. THE TOTAL CUMULATIVE LIABILITY TO CUSTOMER, FROM ALL CAUSES OF ACTION AND ALL THEORIES OF LIABILITY, WILL BE LIMITED TO AND WILL NOT EXCEED THE PURCHASE PRICE OF THE PRODUCT PAID BY CUSTOMER.

If this product is used for rental purposes, the warranty term is reduced to 90 days from the date of purchase.

WARRANTY CLAIMS – USA

Return the product to the place of purchase for all warranty related issues. If this is not possible, contact Bayco Customer Service for a Return Goods Authorization (RGA). Do not return this product to Bayco without first receiving an RGA Number from Bayco Customer Service. When returning the product, the RGA Number must be written on the outside of the shipping box.

WARRANTY CLAIMS – OUTSIDE OF USA

Return the product to the place where purchased for all warranty related issues.

EXTENT OF COVERED WARRANTY WORK

Bayco will repair or replace this product at our option. If it is determined that the warranty is no longer in effect, Bayco will contact you with a repair estimate before beginning any work.

WARRANTY QUESTIONS

If you have any questions about this warranty or any other Bayco product inquiries, please contact Bayco Customer Service.



AUTHORIZATION TO MARK

This authorizes the application of the Certification Mark(s) shown below to the models described in the Product(s) Covered section when made in accordance with the conditions set forth in the Certification Agreement and Listing Report. This authorization also applies to multiple listee model(s) identified on the correlation page of the Listing Report.

This document is the property of Intertek Testing Services and is not transferable. The certification mark(s) may be applied only at the location of the Party Authorized To Apply Mark.

Applicant: Bayco Products, Inc. **Manufacturer:** Changshu City Minghui Appliance, Co LTD

Party Authorized To Apply Mark: Same as Manufacturer
Report Issuing Office: Dallas, TX

Control Number: 4001184 **Authorized by:** _____
for Thomas J. Patterson, Certification Manager



This document supersedes all previous Authorizations to Mark for the noted Report Number.

This Authorization to Mark is for the exclusive use of Intertek's Client and is provided pursuant to the Certification agreement between Intertek and its Client. Intertek's responsibility and liability are limited to the terms and conditions of the agreement. Intertek assumes no liability to any party, other than to the Client in accordance with the agreement, for any loss, expense or damage occasioned by the use of this Authorization to Mark. Only the Client is authorized to permit copying or distribution of this Authorization to Mark and then only in its entirety. Use of Intertek's Certification mark is restricted to the conditions laid out in the agreement and in this Authorization to Mark. Any further use of the Intertek name for the sale or advertisement of the tested material, product or service must first be approved in writing by Intertek. Initial Factory Assessments and Follow up Services are for the purpose of assuring appropriate usage of the Certification mark in accordance with the agreement, they are not for the purposes of production quality control and do not relieve the Client of their obligations in this respect.

Standard(s):	Standard for Safety for Portable Electric Luminaires, UL 153, Ed: 13, Issued: 2014/03/03.
Product:	Corded Handheld LED Worklight
Models:	SL-2135



AUTHORIZATION TO MARK

This authorizes the application of the Certification Mark(s) shown below to the models described in the Product(s) Covered section when made in accordance with the conditions set forth in the Certification Agreement and Listing Report. This authorization also applies to multiple listee model(s) identified on the correlation page of the Listing Report.


This document is the property of Intertek Testing Services and is not transferable. The certification mark(s) may be applied only at the location of the Party Authorized To Apply Mark.

Applicant: Bayco Products, Inc.

Manufacturer: Far East Lighting Co., Ltd.

Party Authorized To Apply Mark: Same as Manufacturer
Report Issuing Office: Dallas, TX

Control Number: 4002026

Authorized by: 
for Thomas J. Patterson, Certification Manager



This document supersedes all previous Authorizations to Mark for the noted Report Number.

This Authorization to Mark is for the exclusive use of Intertek's Client and is provided pursuant to the Certification agreement between Intertek and its Client. Intertek's responsibility and liability are limited to the terms and conditions of the agreement. Intertek assumes no liability to any party, other than to the Client in accordance with the agreement, for any loss, expense or damage occasioned by the use of this Authorization to Mark. Only the Client is authorized to permit copying or distribution of this Authorization to Mark and then only in its entirety. Use of Intertek's Certification mark is restricted to the conditions laid out in the agreement and in this Authorization to Mark. Any further use of the Intertek name for the sale or advertisement of the tested material, product or service must first be approved in writing by Intertek. Initial Factory Assessments and Follow up Services are for the purpose of assuring appropriate usage of the Certification mark in accordance with the agreement, they are not for the purposes of production quality control and do not relieve the Client of their obligations in this respect.

Standard(s):	Standard for Safety for Portable Electric Luminaires, UL 153, Ed: 13, Issued: 2014/03/03.
Product:	Corded Handheld LED Worklight
Models:	SL-2135



AUTHORIZATION TO MARK


This authorizes the application of the Certification Mark(s) shown below to the models described in the Product(s) Covered section when made in accordance with the conditions set forth in the Certification Agreement and Listing Report. This authorization also applies to multiple listee model(s) identified on the correlation page of the Listing Report.

This document is the property of Intertek Testing Services and is not transferable. The certification mark(s) may be applied only at the location of the Party Authorized To Apply Mark.

Applicant: Bayco Products, Inc. **Manufacturer:** LONGKOU DONGLI WIRE & CABLE CO.

Party Authorized To Apply Mark: Same as Manufacturer
Report Issuing Office: Dallas, TX

Control Number: 4003544

Authorized by: 
for Thomas J. Patterson, Certification Manager



This document supersedes all previous Authorizations to Mark for the noted Report Number.

This Authorization to Mark is for the exclusive use of Intertek's Client and is provided pursuant to the Certification agreement between Intertek and its Client. Intertek's responsibility and liability are limited to the terms and conditions of the agreement. Intertek assumes no liability to any party, other than to the Client in accordance with the agreement, for any loss, expense or damage occasioned by the use of this Authorization to Mark. Only the Client is authorized to permit copying or distribution of this Authorization to Mark and then only in its entirety. Use of Intertek's Certification mark is restricted to the conditions laid out in the agreement and in this Authorization to Mark. Any further use of the Intertek name for the sale or advertisement of the tested material, product or service must first be approved in writing by Intertek. Initial Factory Assessments and Follow up Services are for the purpose of assuring appropriate usage of the Certification mark in accordance with the agreement, they are not for the purposes of production quality control and do not relieve the Client of their obligations in this respect.

Standard(s):	Standard for Safety for Portable Electric Luminaires, UL 153, Ed: 13, Issued: 2014/03/03.
Product:	Corded Handheld LED Worklight
Models:	SL-2135