



**Innovation Made Better™**

## Instruction Manual

### SL-2135

THANK YOU FOR PURCHASING THE SL-2135 LED WORK LIGHT.

SAVE THESE INSTRUCTIONS.

PLEASE READ THESE INSTRUCTIONS BEFORE USING YOUR WORK LIGHT.



**ELECTRICAL RATING - 125 VOLTS 60 HZ**

#### CAUTION

- DO NOT use in explosive atmospheres, near flammable liquids, or where explosion proof lamps are required.
- DO NOT use in the proximity of vehicles or equipment when there is a risk of flammable liquids coming into contact with the work light
- DO NOT immerse in water
- DO NOT use in areas where water can accumulate or in rain or mist
- CAUTION: Risk of Electric Shock – For Light Duty Dry Location Use Only

#### IMPORTANT SAFETY INSTRUCTIONS

- This product has a polarized plug (one blade is wider than the other). As a safety feature, this plug will fit in a polarized outlet only one way. If the plug does not fit fully in the outlet, reverse the plug. If it still does not fit, contact a qualified electrician. Never use with an extension cord unless the plug can be fully inserted. Do not attempt to defeat this safety feature.

#### WARNING: NOT FOR USE IN HAZARDOUS LOCATIONS

**CAUTION: DO NOT USE IN HAZARDOUS LOCATIONS AS REQUIRED BY THE CANADIAN ELECTRICAL CODE, PART I**

#### OPERATION

##### TURNING THE WORK LIGHT ON/OFF

The work light has a single sealed push button switch used to activate all lighting modes.

##### High-Brightness Floodlight

- Press the Push Button Switch one time.

##### Low-Brightness Floodlight

- Press the Push Button Switch a second time.

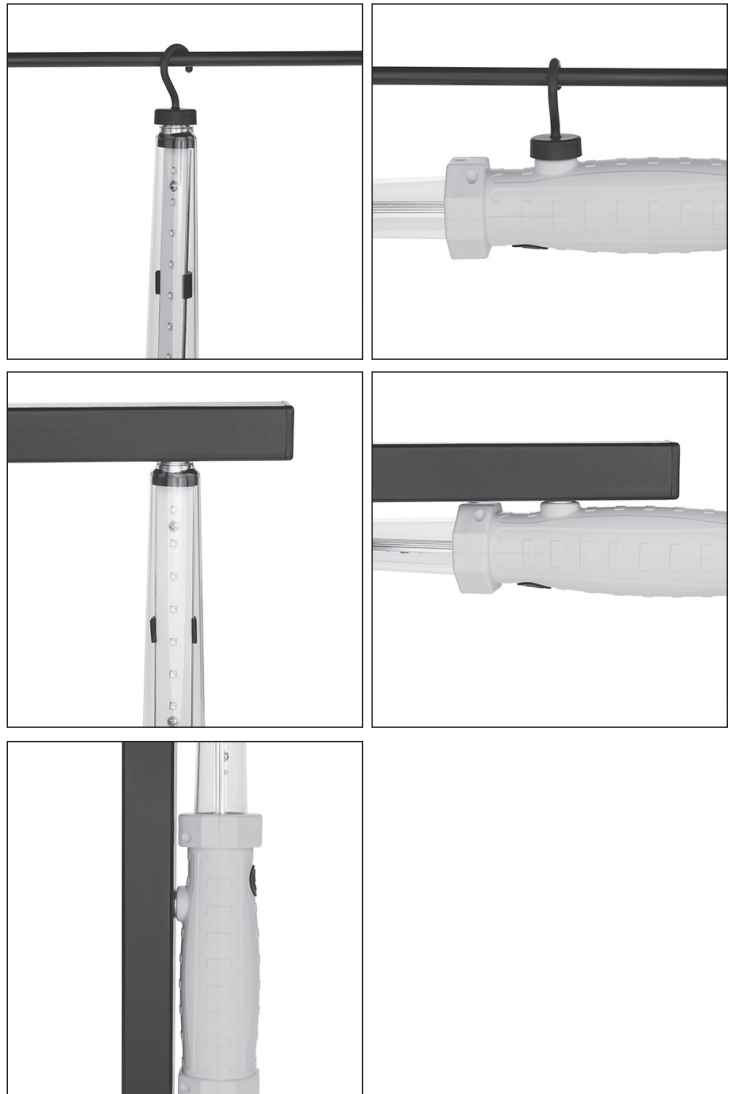
##### Turning the Work Light Off

- Pressing the Push Button Switch a third time turns the light off

#### INTEGRATED MAGNETS AND MAGNETIC HOOK

- The work light has two integrated magnets, one in the body of the light and the other at the tip. These magnets will support the weight of the light when magnetically attached to a ferrous metal surface. The removable Magnetic Hook can also be attached to either of the integrated magnets and offers additional hands-free options.

#### MAGNET AND MAGNETIC HOOK USAGE OPTIONS



#### Cleaning

- Disconnect the light from the power source
- Wipe with a clean dry soft cloth
- Do not use any solvent or abrasive cleaners